

PROJECT: **DOC FDCF Bldg H Gym Concessions**
 Ft Dodge Correctional Facility
 1550 L Street, Ft. Dodge, IA 50501

ISSUE DATE: **September 20, 2023**

BIDS TO BE RECEIVED: **Thurs. Sept. 26, 2023**

TIME: **2:00 P.M. Central Time**

SUBMIT BIDS TO: **State of Iowa, Department of Administrative Services**
Procurement Services
Hoover Building – Level 3
1305 East Walnut Street
Des Moines, IA 50319-0105
Attn: Michael Bradbury, Purchasing Agent
Email: construction.procurement@iowa.gov

To All Bidders:

Please make the following corrections or changes to the bidding documents. These items shall supersede, modify and/or change all statements or drawings to the contrary in the plans and specifications and shall take precedence over these documents. Bidders shall base their bid on the plans and specifications as modified by the changes herein specified.

GENERAL NOTES

The due date for project quotes has been changed to Tuesday, September 26th, 2023 at 2:00 PM.

REFER TO THE SPECIFICATIONS:

- ITEM 1. Approved Substitution Requests:**
- a. **08 5113 Aluminum Windows:** QuickServ SC3030 has been accepted as a substitute for the basis-of-design product

If there are questions regarding the specific content of this addendum, please contact GENESIS Design at 515-440-1681.

The following is a list of pages in this Addendum, including attachments.

Addendum Pages:	1 Pages	- GENESIS Architectural Design
Addendum Pages:	4 Pages	- QuickServ 3030 Product Data
Total Addendum No.1:	5 Pages	

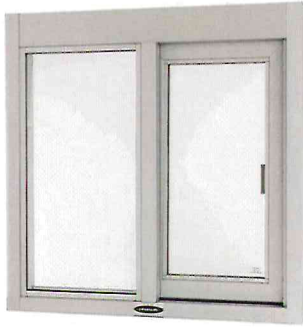
Sincerely,



Edward L. Matt, AIA
GENESIS Architectural Design

SELF-CLOSING & MANUAL OPERATION WINDOWS

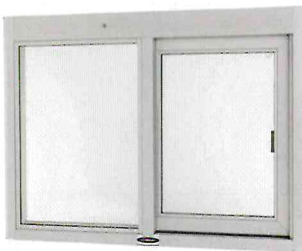
SINGLE SLIDERS



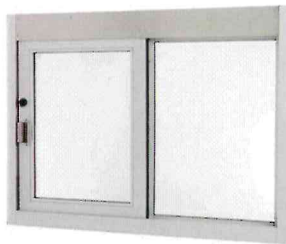
SC-4040



MAXIMUM SECURITY
LOCKING SYSTEM



SC-4030



STANDARD FEATURES

- Shipped fully-assembled and ready to install
- Warranty backed with Nationwide Service Centers
- 1/4" clear tempered safety glass and IF units include 1" insulated sealed units
- Weather resistant and sealed to protect from the elements
- Dark bronze or clear anodized aluminum
- Corrosion resistant material: anodized aluminum and #304-#3 finish stainless steel
- Security locking systems
- Maximum security hook-bolt locks
- Automatically lock when unit is closed
- Right or left hand units

OPTIONAL FEATURES

- Custom colors available
- Reduced service openings for areas requiring 432 sq. inches
- Custom transoms and overall window sizes
- Various glazing options (B/R, Insulated, Tinted, etc)

MODEL SC-4040, IFSC-4040, SC-4030, IFSC-4030, SC-3030, IFSC-3030

Self-closing horizontal sliders meet all health code requirements. These self-closing units are mounted flush to the exterior wall. By simply releasing the window after serving the customer, the door panel closes automatically. With an offset in the base, and gliding on a top-hung ball bearing system, these sliders are the smoothest windows on the market. All IFSC Models are fully glazed with 5/8" insulated glass.

Service Opening: 4040's: 20-1/4"(w) x 41"(h)

4030's: 20-1/4"(w) x 29"(h)

3030's: 14-1/2" (w) x 29"(h)

MAXIMUM SECURITY LOCKING SYSTEM

Each Quikserv single-sliding window offers a heavy duty maximum security lock. This hook bolt lock helps to prevent outside intrusion. An easy to grasp thumb-turn allows for ease in operation while locking the unit.



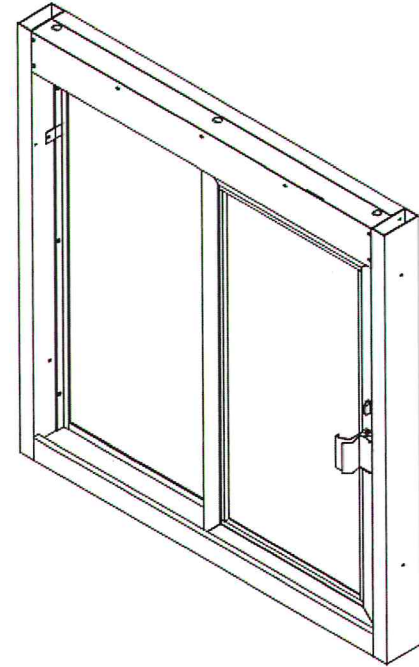
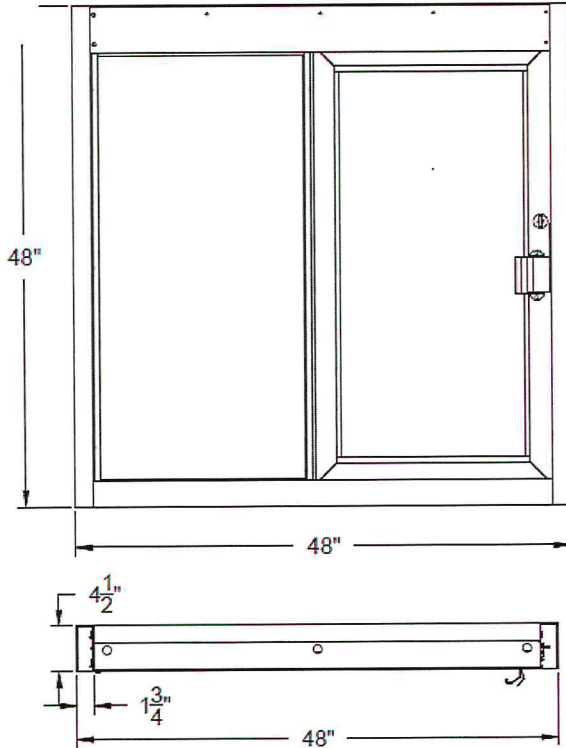
MODEL SC-4040, IFSC-4040, SC-4030, IFSC-4030, SC-3030, IFSC-3030, SC-4030-LP
ROUGH OPENING

4040 Models: 48-3/8"(w) x 48-3/8"(h)

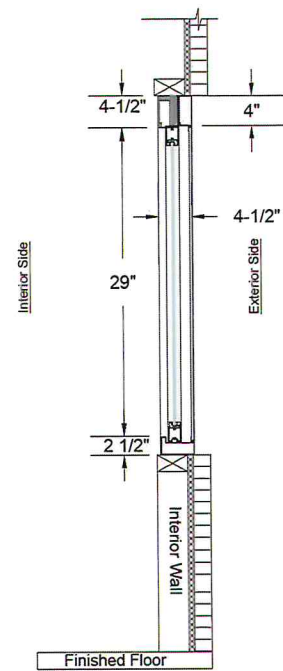
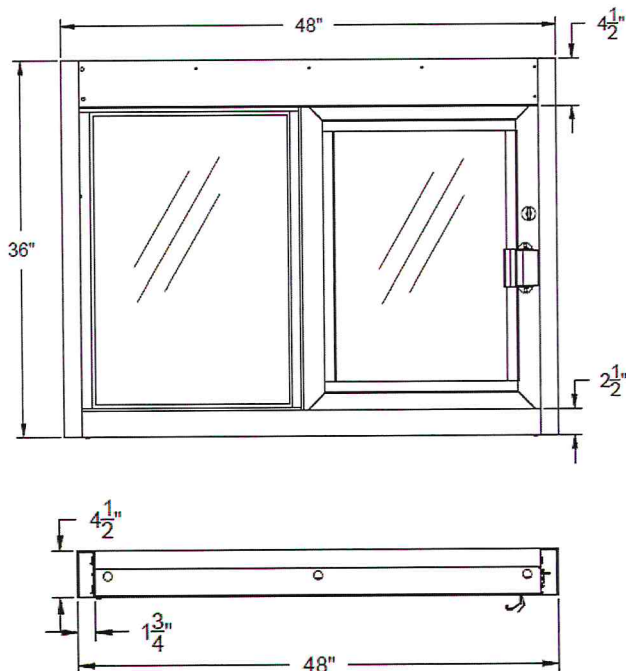
4030 Models: 48-3/8"(w) x 36-3/8"(h)

3030 Models: 36-3/8"(w) x 36-3/8"(h)

SC-4040



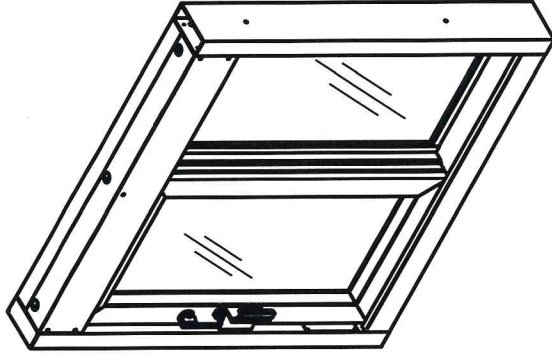
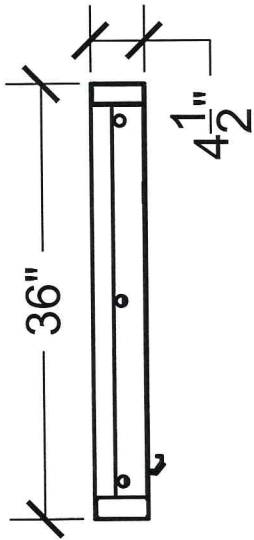
SC-4030



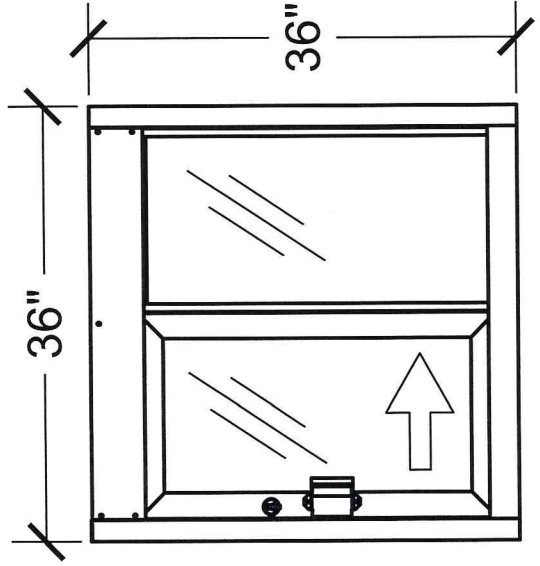
ALL QUIKSERV PRODUCTS ARE SHIPPED FULLY-ASSEMBLED and READY TO INSTALL. EACH ELECTRICAL UNIT IS SHIPPED WITH A FOUR FOOT (4') BX DROP.



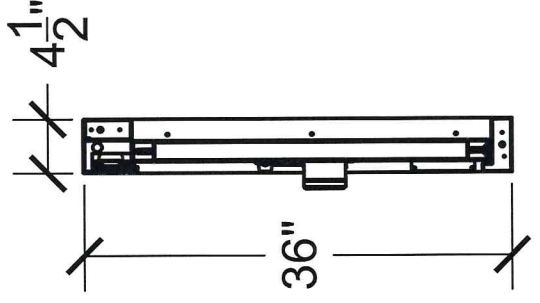
Top View



Interior Front View



Side View



PLEASE SELECT:

1. FRAMING:

- Aluminum
- UL Rated Alum

2. FRAME COLOR:

- Bronze Anodized
- Clear Anodized
- Other: _____

3. GLAZING:

- 1/4" Tempered
- 1" Insulated
- 3/4" Poly - L1
- 1-1/4" Acrylic - L1
- 1-1/4" Poly - L3
- 1-1/4" Acrylic - L3
- Storm Impact Low-E
- Other: _____

Key Notes

Unit:

SC-3030 (LEFT)

Actual Dimension:

36"(W) x 36"(H)

Rough Opening:

36^{3/8}"(W) x 36^{3/8}"(H)

Service Opening:

14^{1/2}"(W) x 29"(H)

Engineer Notes

Date drawn: 5/27/2020

Drawn by: Avasquez

File name: SC-3030.dwg

Page: 1 of 1

Scale: 1:16

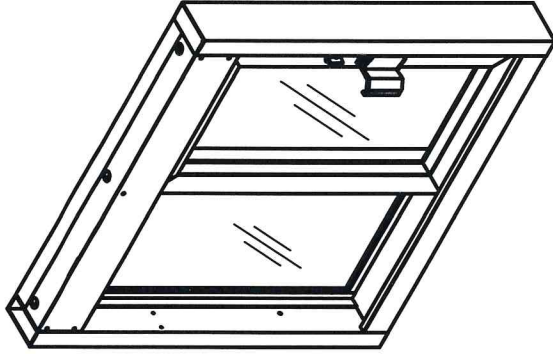
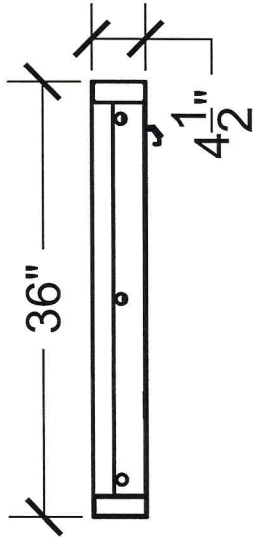
NOTE: THIS DRAWING EMBODIES A CONFIDENTIAL PROPRIETARY DESIGN ORIGINATED AND OWNED BY QUIKSERV CORP., AND IS SUBMITTED UNDER A CONFIDENTIAL RELATIONS ALL PATENT, MANUFACTURING, SALE RIGHTS REGARDING THE SAME ARE RESERVED EXCEPT TO THE EXTENT RIGHTS ARE EXPRESSLY GRANTED TO OTHERS. THE RECIPIENT AGREES BY ACCEPTING THESE DRAWINGS NOT TO SUPPLY OR DISCLOSE ANY INFORMATION REGARDING THEM TO ANY UNAUTHORIZED PERSONAL.

SIGNATURE: _____

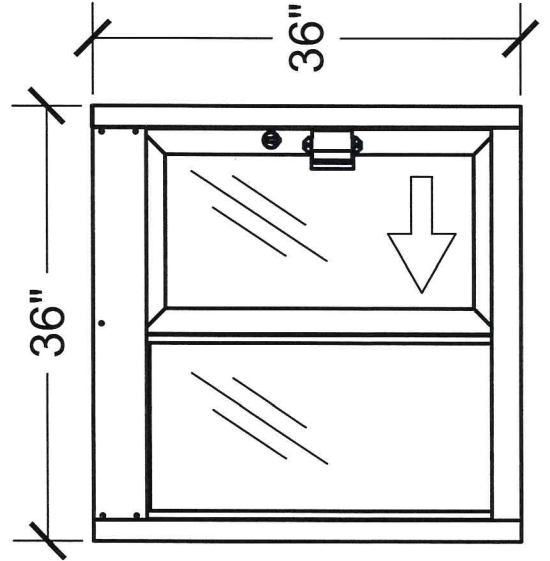
DATE: _____



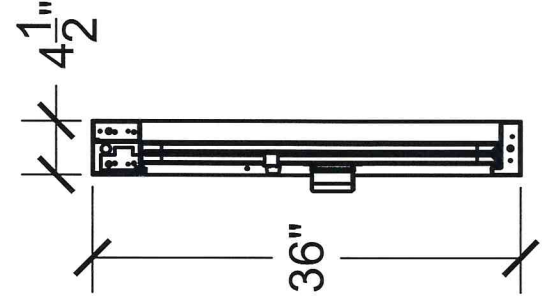
Top View



Interior Front View



Side View



PLEASE SELECT:

1. FRAMING:
 Aluminum UL Rated Alum
 Bronze Anodized Clear Anodized
 Other: _____

2. FRAME COLOR:
 1/4" Tempered 1" Insulated
 3/4" Poly - L1 1-1/4" Acrylic - L1
 1-1/4" Poly - L3 1-1/4" Acrylic - L3
 Storm Impact Low-E
 Other: _____

Key Notes

Unit: SC-3030 (RIGHT)

Actual Dimension: 36"(W) x 36"(H)

Rough Opening: 36^{3/8}"(W) x 36^{3/8}"(H)

Service Opening: 14^{1/2}"(W) x 29"(H)

Engineer Notes

Date drawn: 5/27/2020
 Drawn by: Avasquez
 File name: SC-3030.dwg
 Page: 1 of 1 Scale: 1:16

NOTE: THIS DRAWING EMBODIES A CONFIDENTIAL PROPRIETY DESIGN ORIGINATED AND OWNED BY QUIKSERV CORP., AND IS SUBMITTED UNDER A CONFIDENTIAL RELATIONS ALL PATENT, MANUFACTURING, SALE RIGHTS REGARDING THE SAME ARE RESERVED EXCEPT TO THE EXTENT RIGHTS ARE EXPRESSLY GRANTED TO OTHERS. THE RECIPIENT AGREES BY ACCEPTING THIS DRAWING NOT TO SUPPLY OR DISCLOSE ANY INFORMATION REGARDING THEM TO ANY UNAUTHORIZED PERSONAL.

SIGNATURE: _____
 DATE: _____