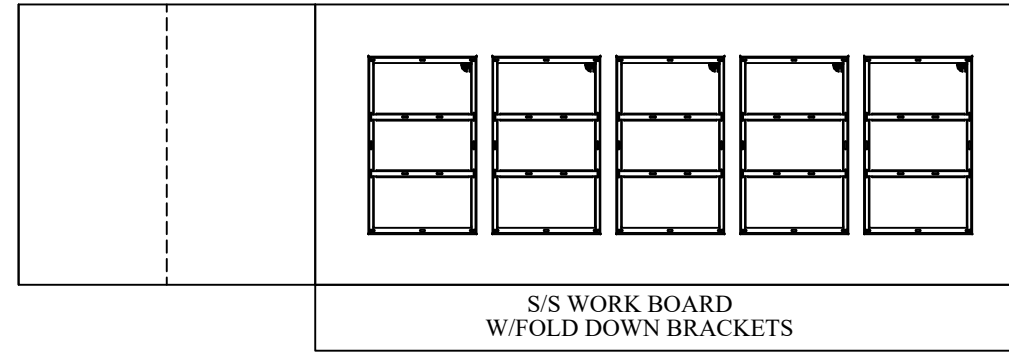


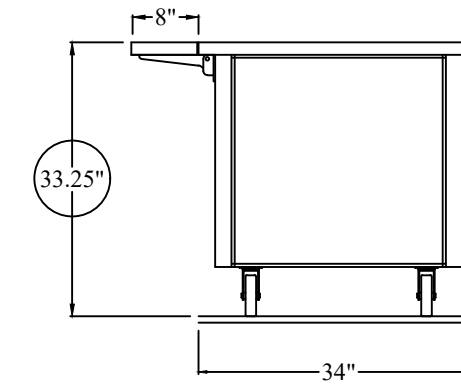
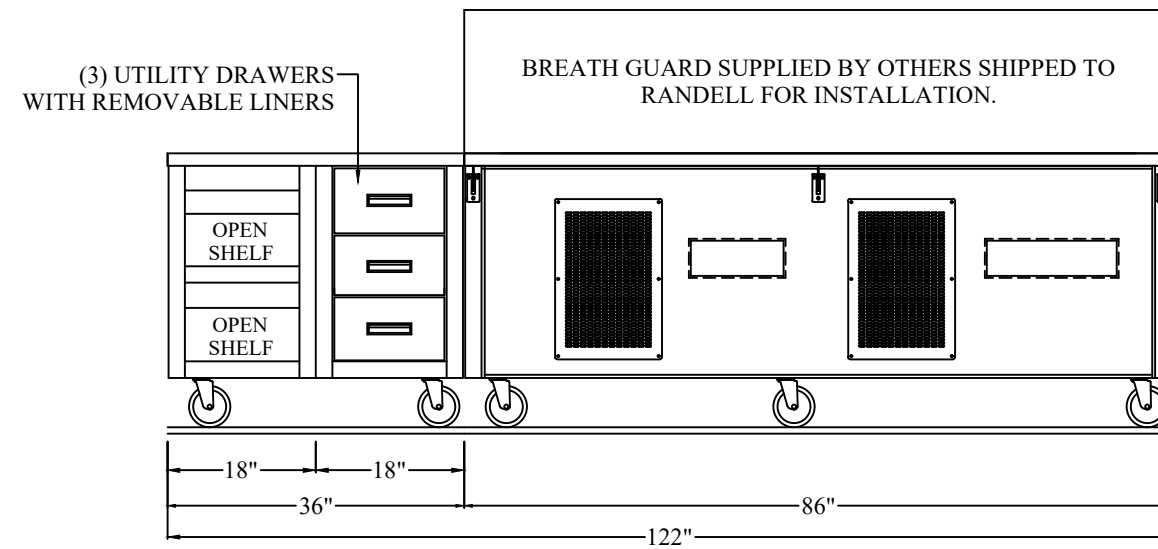
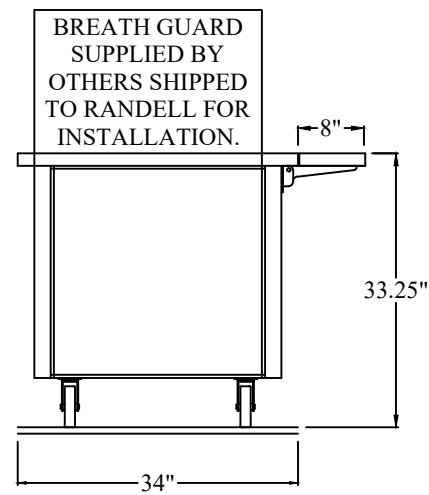
MODEL: RAN ST-7	
ITEM #1A	UNIT #1
STAINLESS STEEL WORK TOP -ENCLOSED BASE -CONCEALED LOCKING MECHANISM -6" CASTERS - (2) LOCKING	

MODEL: HCI-3	
ITEM # 1B	UNIT # 2
DROP-IN SELF-CONTAINED HOT/COLD/FREEZE WELLS -INDIVIDUALLY CONTROLLED WELLS -ACCOMMODATES (3) 12" X 20" PAN -PANS PROVIDED BY OTHERS -ALL ADAPTER BARS PROVIDED -OPTIONAL: MANIFOLD DRAINS -THERMOSTATIC CONTROLS -SELF CONTAINED R290 REFRIGERATION SYSTEM □120V/60Hz/1Ph 14 AMPS 5-20P □120/208V/60Hz/1Ph 14 AMPS 14-20P □120/240V/60Hz/1Ph 14 AMPS 14-20P	
CUTOUT DIMENSIONS: UNIT 46.69" X 24.9" CONTROL L16.5" X W5.25"	

MODEL: HCI-2	
ITEM # 1C	UNIT # 3
DROP-IN SELF-CONTAINED HOT/COLD/FREEZE WELLS -INDIVIDUALLY CONTROLLED WELLS -ACCOMMODATES (2) 12" X 20" PAN -PANS PROVIDED BY OTHERS -ALL ADAPTER BARS PROVIDED -OPTIONAL: MANIFOLD DRAINS -THERMOSTATIC CONTROLS -SELF CONTAINED R290 REFRIGERATION SYSTEM □120V/60Hz/1Ph 9.8 AMPS 5-15P □120/208V/60Hz/1Ph 9.8 AMPS 14-20P □120/240V/60Hz/1Ph 9.8 AMPS 14-20P	
CUTOUT DIMENSIONS: UNIT 31.69" X 24.9" CONTROL L11.375" X W5.25"	



STAINLESS STEEL EXTERIOR



RANSERVE CONSTRUCTION UNLESS OTHERWISE SPECIFIED ON DRAWING.

TOP
-16 GAUGE STAINLESS STEEL WITH INTERLOCK DEVICE DESIGNED TO CONNECT TO ALL OTHER RANSERVE EQUIPMENT

UNIT BODY
-WELDED FRAME CONSTRUCTION
- ALL CORNERS TO BE WELDED AND POLISHED
- BODY PANELS TO BE EITHER STAINLESS STEEL OR LAMINATE WITH GALVANIZED STEEL BACKING
- FIBERGLASS CONSTRUCTION WITH STAINLESS STEEL TOP
- BODY IS ONE-PIECE MOLDED FIBERGLASS WITH SMOOTH EXTERIOR FINISH
- CORNERS AND AREAS WITH ATTACHED ACCESSORIES ARE REINFORCED INTERNALLY WITH METAL BACKERS

SHELVES
- STAINLESS STEEL CONSTRUCTION WITH GALVANIZED BRACING

COLD PANS
- WRAPPED COLD WALL CONSTRUCTION WITH FOAMED URETHANE INSULATION
- R290 REFRIGERATION SYSTEM WITH PRECISE TEMPERATURE ELECTRONIC CONTROL

HOT FOOD WELLS
- 12 X 20 STAMPED FOOD WELLS WITH DRAIN
- ELECTRIC HEATING ELEMENT
- THERMOSTAT CONTROL AND INDICATOR LIGHT FOR EACH WELL

FROST TOPS
- ONE PIECE STAINLESS STEEL CONSTRUCTION WITH 1" RECESSED TOP
- SIZED TO ACCOMMODATE VARIATIONS OF 1/2 SIZE AND FULL SIZE SHEET PANS
- ELECTRONICALLY CONTROLLED R290 REFRIGERATION SYSTEM
- FOAMED URETHANE INSULATION

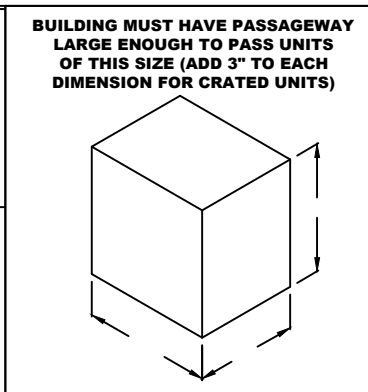
QUOTE #	ORIG DWG DATE: DJ 03/31/2026
ORDER #	2247479
REF ORDER #	
SHEET	SCALE
1 OF 1	1/2" = 1'

REV.	DATE	DESCRIPTION	BY
A			
B			
C			
D			
E			
F			
G			
H			
I			

JOB NAME	EASON ELEMENTARY
DEALER	CURATE
CONSULTANT	
SALES REP	CURATE

unified brands
randell

525 South Coldwater Road
Weidman, Michigan 48893-9683
Phone 1-800-621-8560
Fax 1-800-634-5369



THIS DRAWING IS THE PROPERTY OF RANDELL MANUFACTURING. THE DOCUMENT MAY CONTAIN PROPRIETARY INFORMATION OF RANDELL MANUFACTURING AND IS FOR THE USE OF CUSTOMERS. INFORMATION CONTAINED IN THESE DOCUMENTS IS CONFIDENTIAL AND MAY BE COPYRIGHTED, AND, OR OF PATENTED DESIGNS. THESE DRAWINGS SHALL NOT BE DISSEMINATED TO THE PUBLIC OR FILED IN ANY PUBLIC RECORD UNLESS REQUIRED BY LAW.

CUSTOMER INFORMATION

- RANDELL BUILD TOLERANCE = ±1/8" OVERALL MEASUREMENT
- ALL 120V - 15A & 20A CUSTOMER GENERAL USE ELECTRICAL OUTLETS WILL BE GFI.
- TO AVOID LATE SHIPMENT, DEALER SUPPLIED BUYOUTS MUST BE MARKED WITH JOB NAME AND MUST BE RECEIVED BY RANDELL MFG. AT LEAST (1) WEEK PRIOR TO SCHEDULED SHIP
- RANDELL WILL ONLY INSTALL UL LISTED COMPONENTS.

NSF, UL, UL LISTED 197, 471, 710, & 763