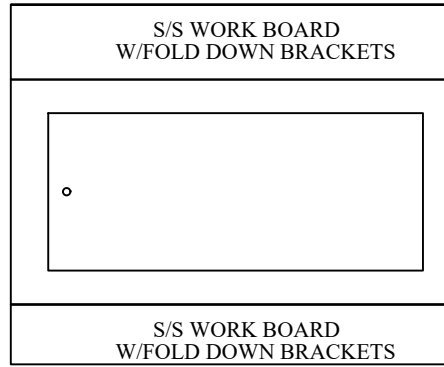
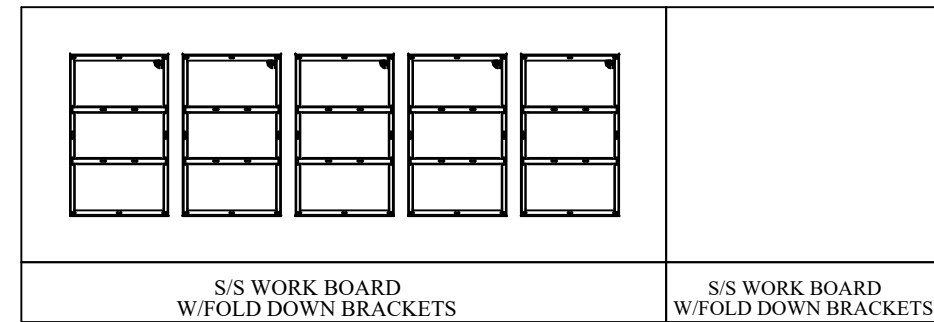


| MODEL: RAN ST-7 | |
|---|---------|
| ITEM #1A | UNIT #1 |
| STAINLESS STEEL WORK TOP -ENCLOSED BASE -CONCEALED LOCKING MECHANISM -6" CASTERS - (2) LOCKING | |
| AFS-SISS SINGLE TIER SINGLE SIDED TEMPERED GLASS FOOD SHIELD ADJUSTABLE FULL SELF SERVICE | |

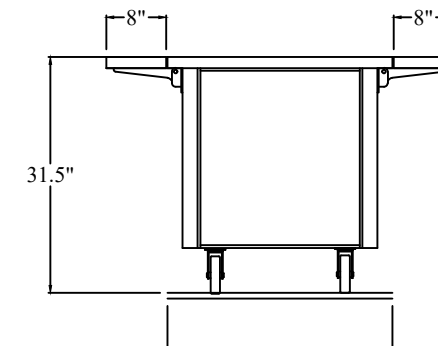
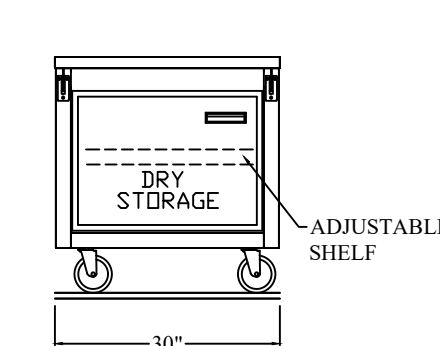
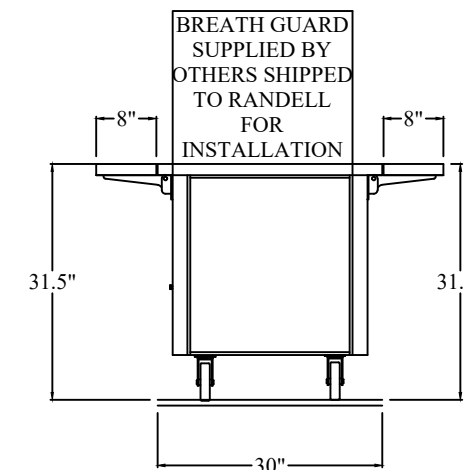
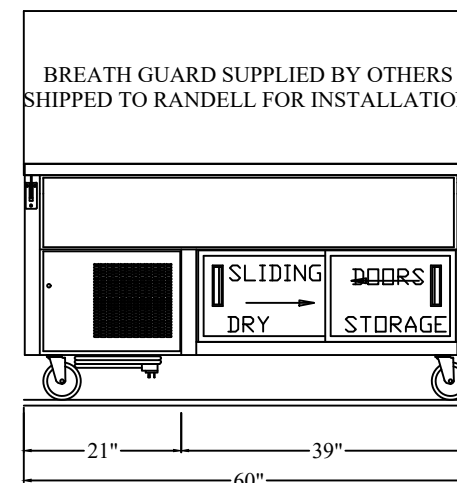
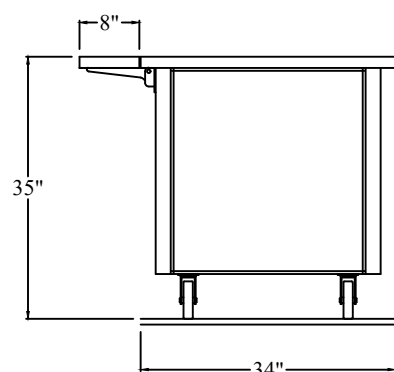
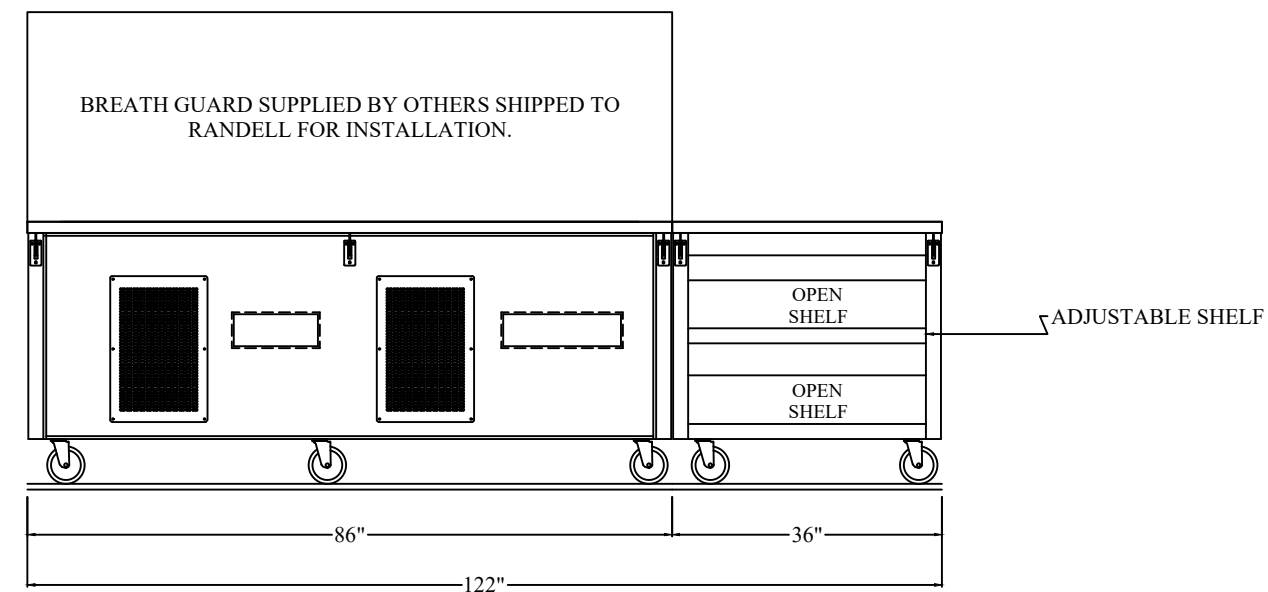
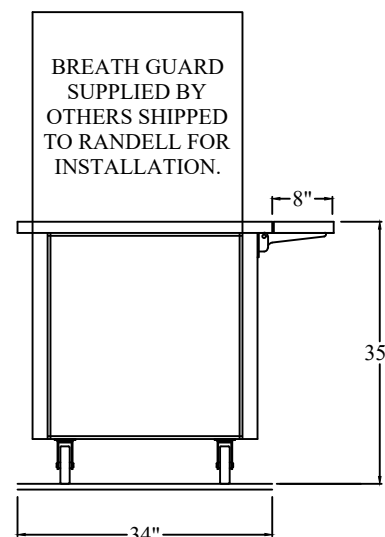
| MODEL: HCI-3 | |
|---|----------|
| ITEM # 1B | UNIT # 2 |
| DROP-IN SELF-CONTAINED HOT-COLD-FREEZE WELLS -INDIVIDUALLY CONTROLLED WELLS -ACCOMMODATES (3) 12" X 20" PAN -PANS PROVIDED BY OTHERS -ALL ADAPTER BARS PROVIDED -OPTIONAL: MANIFOLD DRAINS -THERMOSTATIC CONTROLS -SELF CONTAINED R290 REFRIGERATION SYSTEM □ 120V/60Hz/1Ph 14 AMPS 5-20P □ 120/208V/60Hz/1Ph 14 AMPS 14-20P □ 120/240V/60Hz/1Ph 14 AMPS 14-20P | |
| CUTOUT DIMENSIONS: UNIT 46.69" X 24.9" CONTROL L16.5" X W5.25" | |

| MODEL: HCI-2 | |
|--|----------|
| ITEM # 1C | UNIT # 3 |
| DROP-IN SELF-CONTAINED HOT-COLD-FREEZE WELLS -INDIVIDUALLY CONTROLLED WELLS -ACCOMMODATES (2) 12" X 20" PAN -PANS PROVIDED BY OTHERS -ALL ADAPTER BARS PROVIDED -OPTIONAL: MANIFOLD DRAINS -THERMOSTATIC CONTROLS -SELF CONTAINED R290 REFRIGERATION SYSTEM □ 120V/60Hz/1Ph 9.8 AMPS 5-15P □ 120/208V/60Hz/1Ph 9.8 AMPS 14-20P □ 120/240V/60Hz/1Ph 9.8 AMPS 14-20P | |
| CUTOUT DIMENSIONS: UNIT 31.69" X 24.9" CONTROL L11.375" X W5.25" | |

| MODEL: RAN ST-4S | |
|---|----------|
| ITEM # 2 | UNIT # 4 |
| STAINLESS STEEL WORK TOP -OPEN STORAGE BASE -CONCEALED LOCKING MECHANISM -6" CASTERS - (2) LOCKING | |



STAINLESS STEEL EXTERIOR



| MODEL: RS SSO-RCP-4 | |
|---|----------|
| ITEM # 3 | UNIT # 5 |
| STAINLESS STEEL REFRIGERATED COLD PAN -ACCOMMODATES (4) FULL SIZE PANS -PANS PROVIDED BY OTHERS -(5) ADAPTER BARS PROVIDED -OPEN STORAGE BASE -R290 REFRIGERATION SYSTEM -1" FLEXIBLE HOSE WITH BALL VALVE LOCATED BEHIND LOUVER -115V/60Hz/1Ph 5.5 AMPS -9 FOOT CORD - NEMA 5-15P -CONCEALED LOCKING MECHANISM -6" CASTERS - (2) LOCKING | |

| MODEL: RAN ST-3S | |
|---|----------|
| ITEM # 4 | UNIT # 6 |
| STAINLESS STEEL WORK TOP -OPEN STORAGE BASE -CONCEALED LOCKING MECHANISM -6" CASTERS - (2) LOCKING | |

SPECIFY

LAMINATE COLOR TO BE:

| WILSON ART | 1595-60 | BLACK |
|------------|---------|-------|
| MFG. | NUMBER | COLOR |

CHECK ALL THAT APPLY:

CUSTOMER SIDE: BACK, ENDS, LOUVERS, APRON
PANELS & DOOR FRONTS

OPERATOR SIDE: ENDS, LOUVERS, APRON
PANELS & DOOR FRONTS

SPECIFY

LAMINATE COLOR TO BE:

| WILSON ART | 1595-60 | BLACK |
|------------|---------|-------|
| MFG. | NUMBER | COLOR |

CHECK ALL THAT APPLY:

CUSTOMER SIDE: BACK, ENDS, LOUVERS, APRON
PANELS & DOOR FRONTS

OPERATOR SIDE: ENDS, LOUVERS, APRON
PANELS & DOOR FRONTS

QUOTE # _____

ORDER # **2245834**

REF ORDER # _____

SHEET 1 OF 1

SCALE 1/2" = 1'

ORG DWG DATE: DJ 03.31.2026

| REV. | DATE | DESCRIPTION | BY |
|------|------|----------------------------|-----|
| A | | DIMS LAMINATE WORK/DRAWING | RSB |
| B | | | |
| C | | | |
| D | | | |
| E | | | |
| F | | | |
| G | | | |
| H | | | |
| I | | | |

JOB NAME: BROOKVIEW ELEMENTARY

DEALER: CURATE

CONSULTANT: CURATE

SALES REP: CURATE

randell united brands

525 South Coldwater Road
Weidman, Michigan 48893-9683
Phone 1-800-621-8560
Fax 1-800-634-5369

CUSTOMER INFORMATION

- RANDELL BUILD TOLERANCE = ±1/8" OVERALL MEASUREMENT
- RANDELL MANUFACTURING THE CUSTOMER ORIGINAL USE ELECTRICAL OUTLETS WILL BE GFI.
- TO AVOID LATE SHIPMENT, DEALER SUPPLIED OUTLETS MUST RANDELL MFG. AT LEAST (1) WEEK PRIOR TO SCHEDULED SHIP
- RANDELL WILL ONLY INSTALL UL LISTED COMPONENTS.

THIS DRAWING IS THE PROPERTY OF RANDELL MANUFACTURING. THE DOCUMENT MAY CONTAIN PROPRIETARY INFORMATION AND IS FOR THE USE OF RANDELL MANUFACTURING AND THEIR PATENTED DESIGNS. THESE DRAWINGS SHALL NOT BE DISSEMINATED TO THE PUBLIC WITHOUT THE WRITTEN CONSENT OF RANDELL MANUFACTURING UNLESS REQUIRED BY LAW.

UL LISTED 197, 471, 710, & 763

RANSERVE CONSTRUCTION UNLESS OTHERWISE SPECIFIED ON DRAWING.

TOP
-16 GAUGE STAINLESS STEEL WITH INTERLOCK DEVICE DESIGNED TO CONNECT TO ALL OTHER RANSERVE EQUIPMENT

UNIT BODY
-WELDED FRAME CONSTRUCTION
-ALL CORNERS TO BE WELDED AND POLISHED
-BODY PANELS TO BE EITHER STAINLESS STEEL OR LAMINATE WITH GALVANIZED STEEL BACKING
-FIBERGLASS CONSTRUCTION WITH STAINLESS STEEL TOP
-BODY IS ONE-PIECE MOLDED FIBERGLASS WITH SMOOTH EXTERIOR FINISH
-CORNERS AND AREAS WITH ATTACHED ACCESSORIES ARE REINFORCED INTERNALLY WITH METAL BACKERS

SHELVES
-STAINLESS STEEL CONSTRUCTION WITH GALVANIZED BRACING

COLD PANS
- WRAPPED COLD WALL CONSTRUCTION WITH FOAMED URETHANE INSULATION
- R290 REFRIGERATION SYSTEM WITH PRECISE TEMPERATURE ELECTRONIC CONTROL

HOT FOOD WELLS
- 12 X 20 STAMPED FOOD WELLS WITH DRAIN
- ELECTRIC HEATING ELEMENT
- THERMOSTAT CONTROL AND INDICATOR LIGHT FOR EACH WELL

FROST TOPS
- ONE PIECE STAINLESS STEEL CONSTRUCTION WITH 1" RECESSED TOP
- SIZED TO ACCOMMODATE VARIATIONS OF 1/2 SIZE AND FULL SIZE SHEET PANS
- ELECTRONICALLY CONTROLLED R290 REFRIGERATION SYSTEM
- FOAMED URETHANE INSULATION