



ADDENDUM NO. 1

Date: April 20, 2023

Project: Woodward Resource Center
Medical Center North Façade Window Replacement
DAS RFP 934500-01

CLARIFICATION:

- The project will need to meet the Secretary of the Interior's Standards for Rehabilitation and the window replacements should retain the same design of hung sash with multiple lights. The designer will need to coordinate with the State Historic Preservation Office.

QUESTIONS AND ANSWERS FROM THE PRE-PROPOSAL MEETING:

- Q1. It appears some of the existing windows have a metal sill with no thermal break. Is replacement of the sill included in the project?
- A1. The need for sill replacement will be determined through the design process and would be included in the construction scope if needed.
- Q2. Do the windows that are boarded up or have insulation in place of glass need to be replaced too?
- A2. Yes, those will need to have new windows installed. The areas that have brick where the windows used to be will remain as is.

ATTACHMENTS:

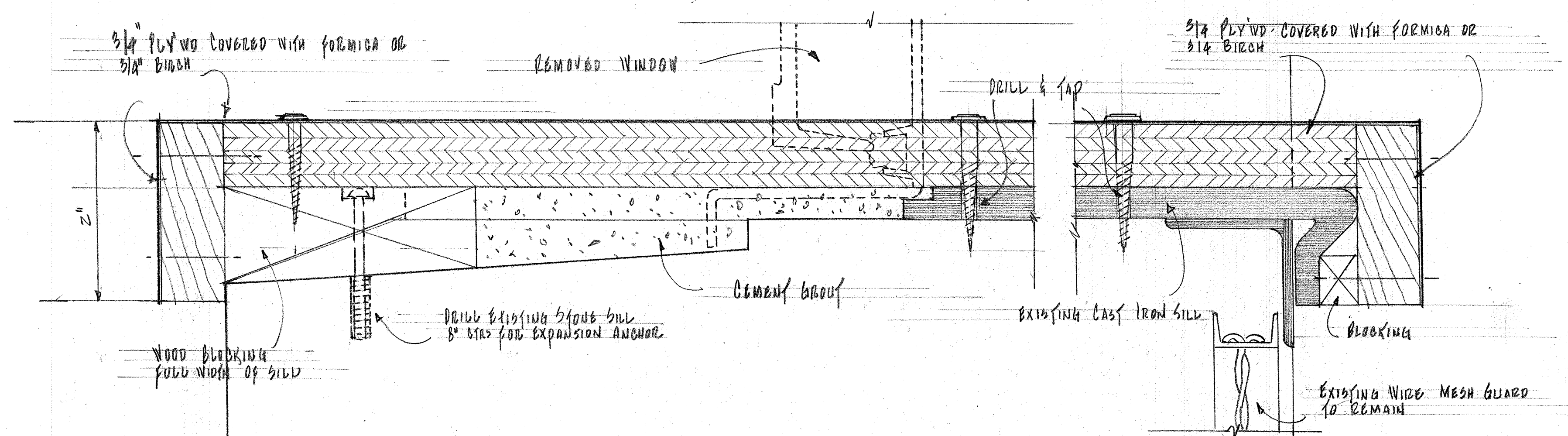
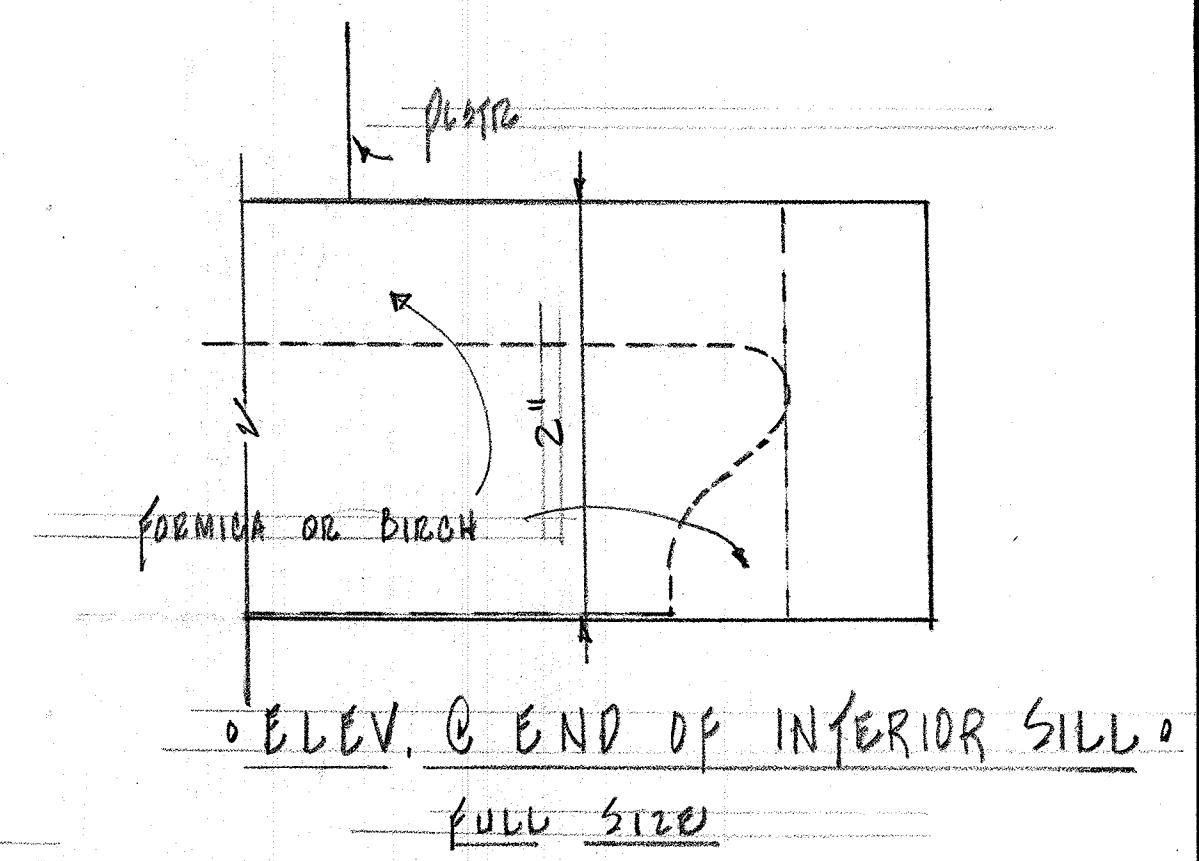
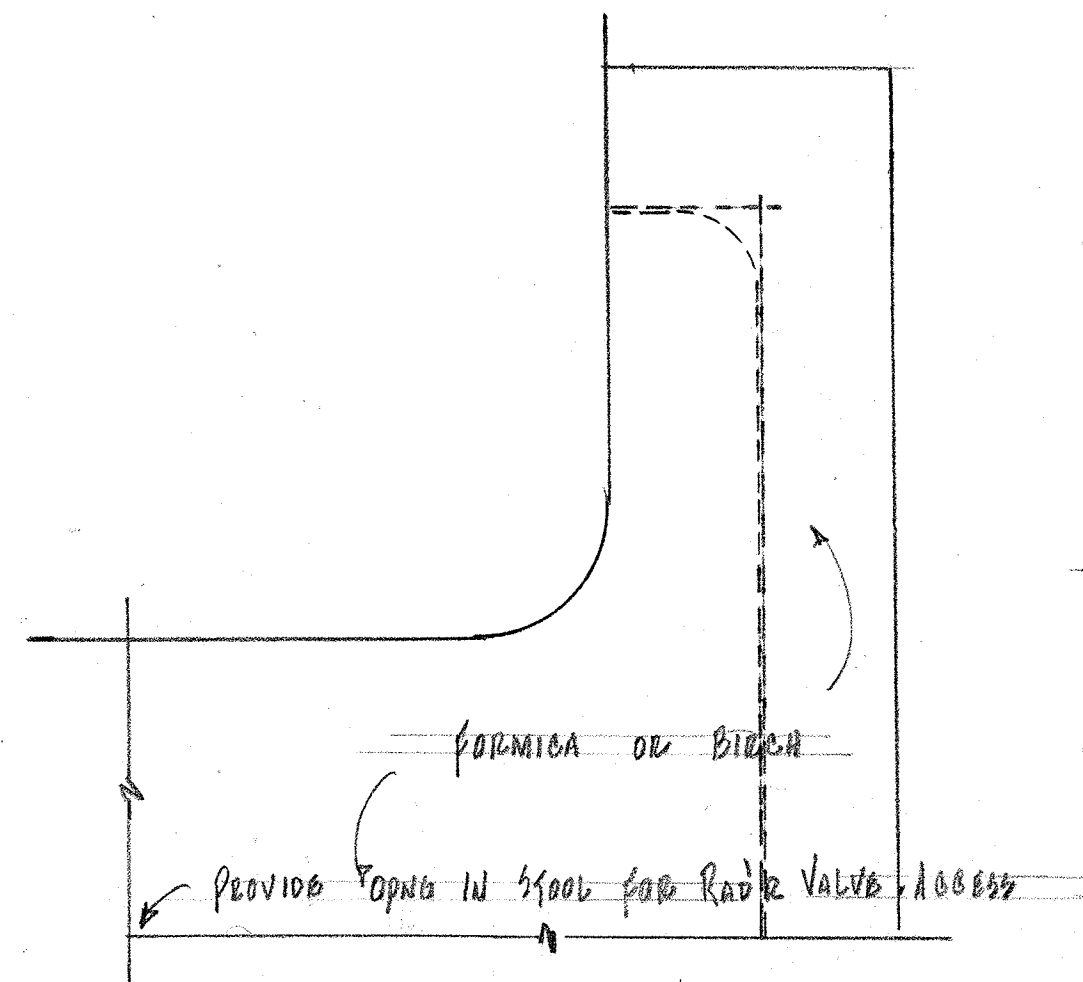
1. Attendees to pre-proposal meeting on 4/19/2023 at the Woodward Resource Center.
2. Existing drawings from 1965.

END OF ADDENDUM



Sign-in Sheet

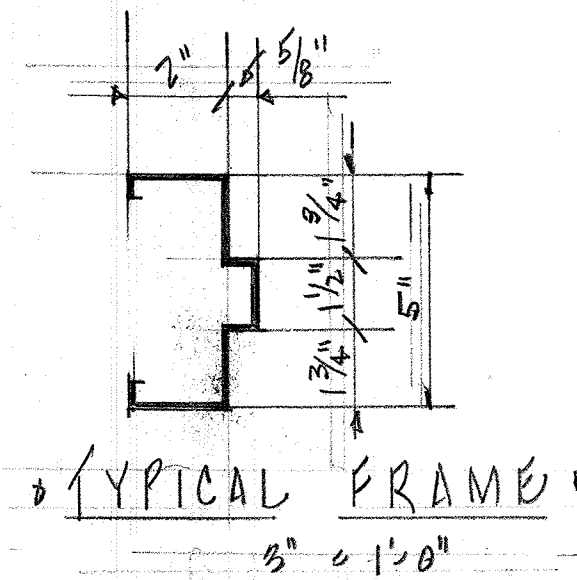
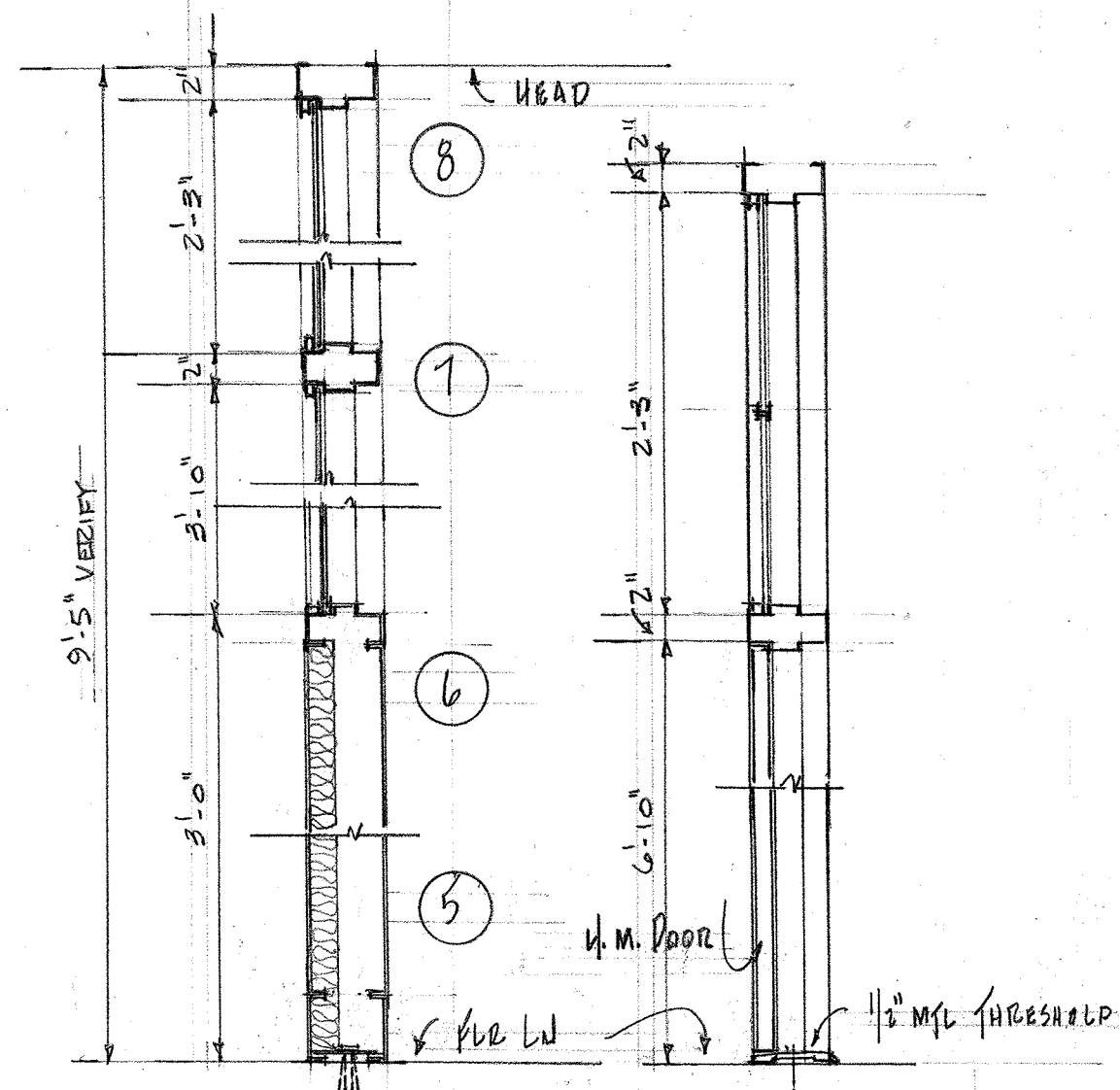
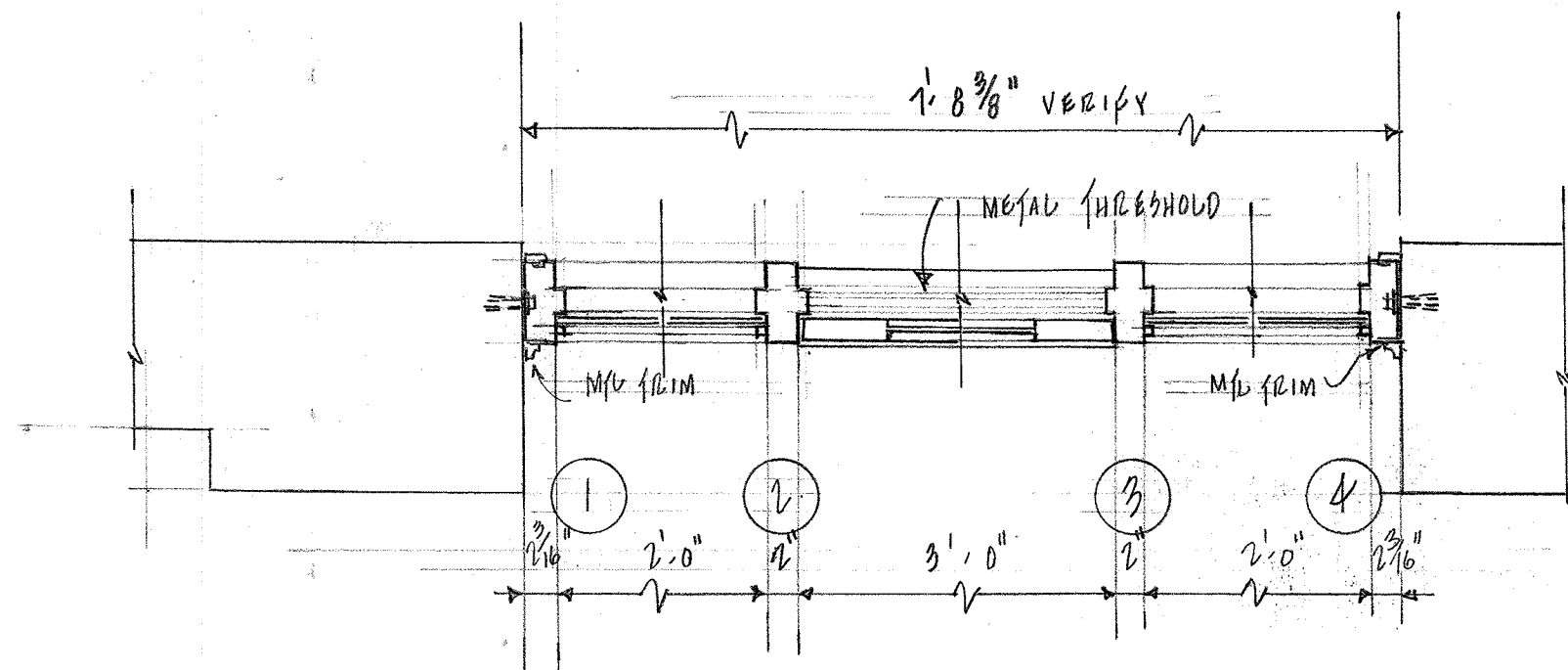
Name	Company	Email Address	Telephone
Sam Vorrie	Story Construction Co.	sam.vorrie@storycon.com	515-291-4483
Elijah Ralston	Story Construction Co.	elijah.ralston@storycon.com	515-290-1135
Darren Milliken	Story Construction Co.	darren.milliken@storycon.com	515-291-5358
Jennifer Kleene	DAS	jennifer.kleene@iowa.gov	515-822-8197
Rodney Carr	WRC	rcarr@dhs.state.ia.us	515-314-6643
<i>Cami Manley</i>	<i>Shive-Hattery</i>	<i>cmanley@shive-hattery.com</i>	<i>515-223-8104</i>



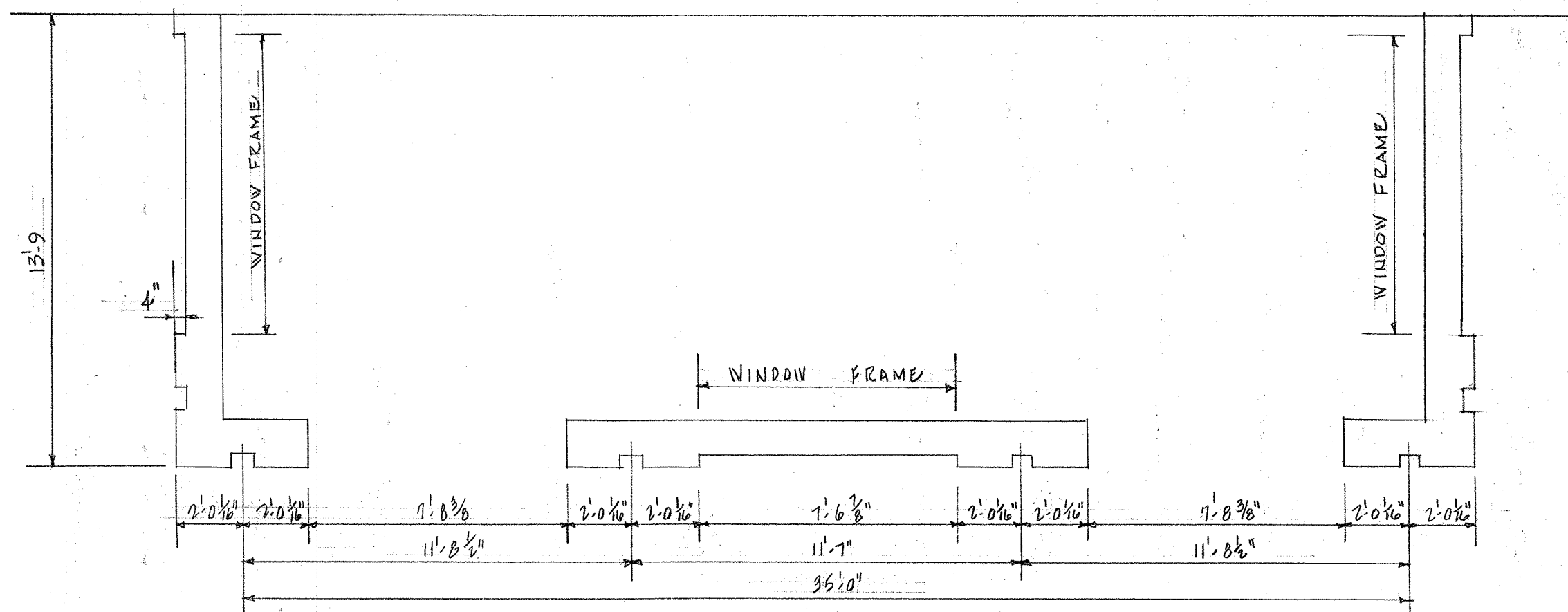
SECTION THRU SILL
FULL SIZE

0188

BOARD OF CONTROL OF STATE INSTITUTIONS		PINEHURST INFIRMARY		DATE APR 15, 65
STATE OFFICE BUILDING DES MOINES, IOWA				DRAWING
DIM O' HENRY CHAIRMAN	CARROLL PRICE MEMBER	WOODWARD	STATE Hosp & SCHOOL IOWA	
RUSSELL WILSON MEMBER		WOODWARD		
FRANK N. BUNKER ARCHITECT				OF

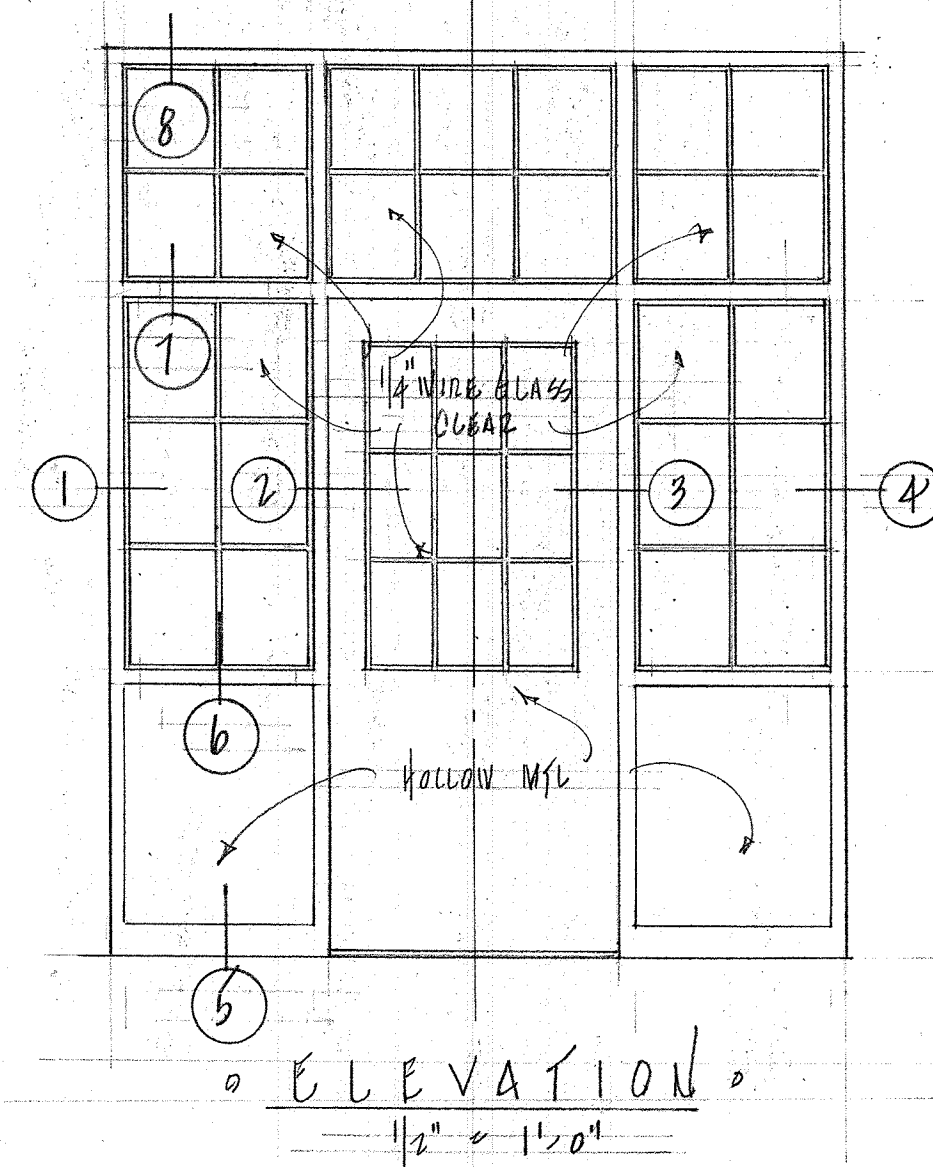


OF FRAME DETAILS



PLAN

1/4" = 1'-0"



0189

BOARD OF CONTROL OF STATE INSTITUTIONS STATE OFFICE BUILDING DES MOINES, IOWA DIM O. HEWY CARROLL PRICE RUSSELL WILSON	RECONDITIONING	OF	DATE JUNE 1965
	PINEHURST	FOR	DRAWING
FRANK N. BUNKER ARCHITECT	INFIRMARY	WOODWARD	Safe Hospital & School IOWA
			OF

NEW CONDENSING UNIT
123.2 A. 208V. 3 ϕ .

NEMA TYPE 3R DISCONNECT
SWITCH. 200AMP. 3 ϕ . N.F.

PROVIDE INTERLOCK
WIRING BETWEEN
CONDENSING UNIT
AND EXIST. VENT UNIT
WITH 2 #14 IN 1/2" COND.
SEE SPEC. (VERIFY.)

PROVIDE SLEEVES
THRU. WALL.

MECH. EQUIP. RM
14

NEW - 3 # 2/8 IN
2" CONDUIT.

CORRIDOR
16

MULTI-PURPOSE AREA
20

PULL
BOX

EXIST. 2" CONDUIT
PROVIDE NEW
WIRING - 3 # 2/8.

TO 200AMP DISCONNECT
SWITCH IN MECH. EQUIP. RM.
44. SEE WIRING DIAGRAM.

UNASSIGNED

PART GROUND FLOOR ~ WEST WING

SCALE = 1/8" = 1'-0"

NEMA TYPE 3R DISCONNECT
SWITCH. 200AMP. 3 ϕ . N.F.

NEW CONDENSING UNIT
123.2 A. 208V. 3 ϕ .

PROVIDE INTERLOCK
WIRING BETWEEN
CONDENSING UNIT
AND EXIST. VENT.
UNIT WITH 2 #14 IN
1/2" COND. SEE SPEC.
(VERIFY)

PROVIDE SLEEVES
THRU. WALL.

MECH. EQUIP. RM.
37

HYDRO. THERAPY.
51

TOILET
38

TOILET
40

UNEXCAVATED

NEW 3 # 2/8 IN
2" CONDUIT.

CORRIDOR
45

TWO NEW 200AMP
DISCONNECT SWITCHES
SEE WIRING DIAGRAM.

EXAM. & TREATMENT
53

EXIST. 2" COND.
PROVIDE NEW
WIRING - 3 # 2/8

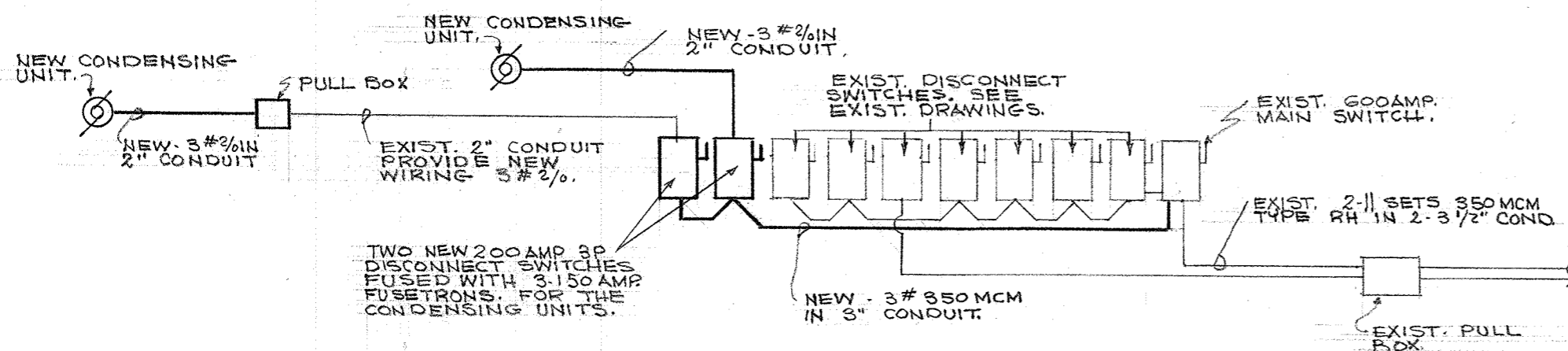
SUPPLY
RM. #1

SUPPLY
RM. #2



PART GROUND FLOOR ~ EAST WING

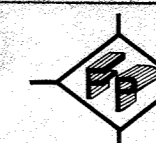
SCALE = 1/8" = 1'-0"



WIRING DIAGRAM

NOT TO SCALE

AIR CONDITION ADD'N. TO VENT.
SYSTEMS
PINEHURST ~ INFIRMARY
WOODWARD STATE HOSP.
WOODWARD, IOWA

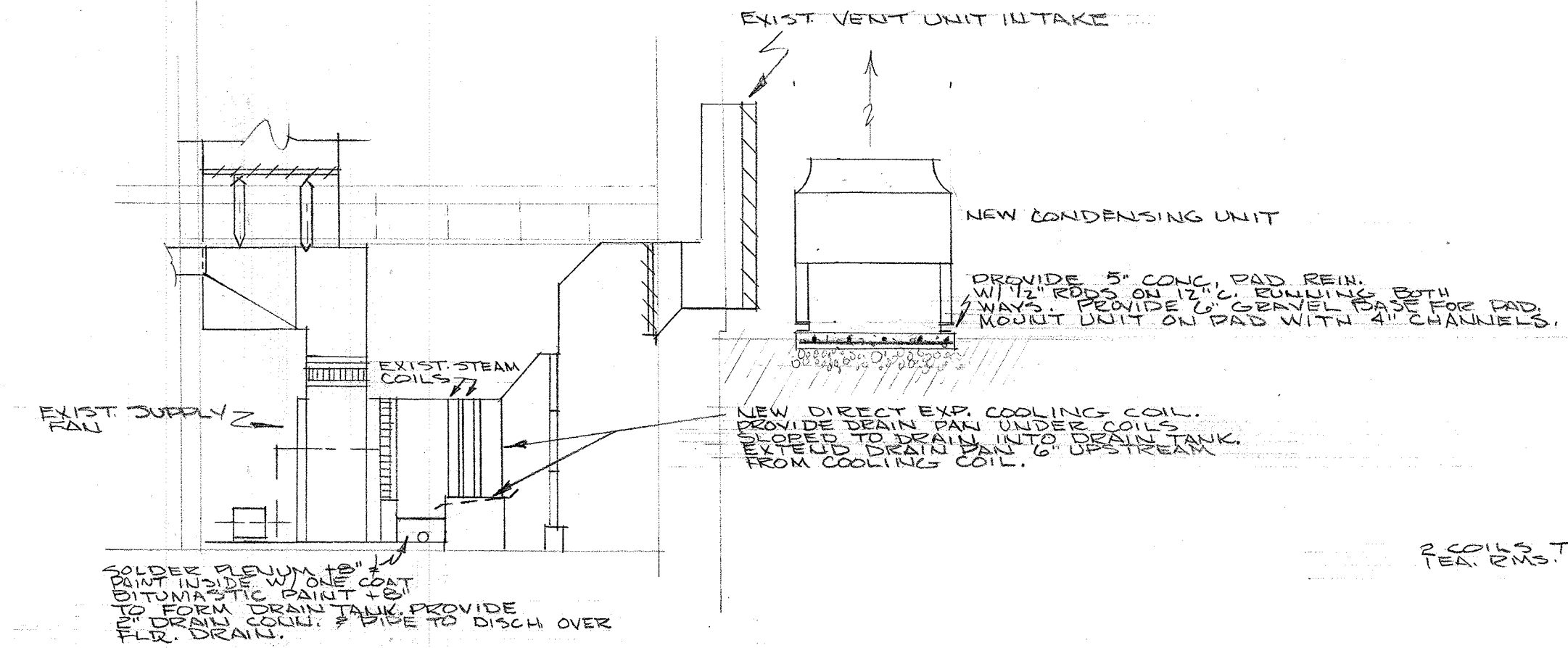


FRANK PULLEY ASSOCIATES
CONSULTING ENGINEERS
517 SECURITIES BLDG. DES MOINES, IOWA, 50309
PHONE 288-7409

9-14-65

R.J.K.

(197



SECTION THRU EXIST VENT UNITS, RMS. 14 & 37
SCALE: 1/4" = 1'-0"

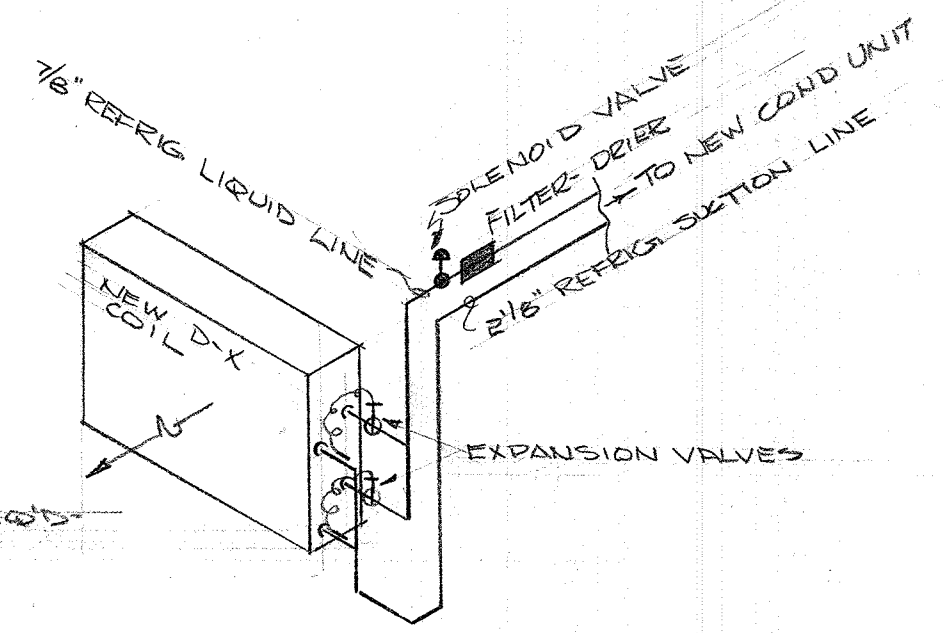
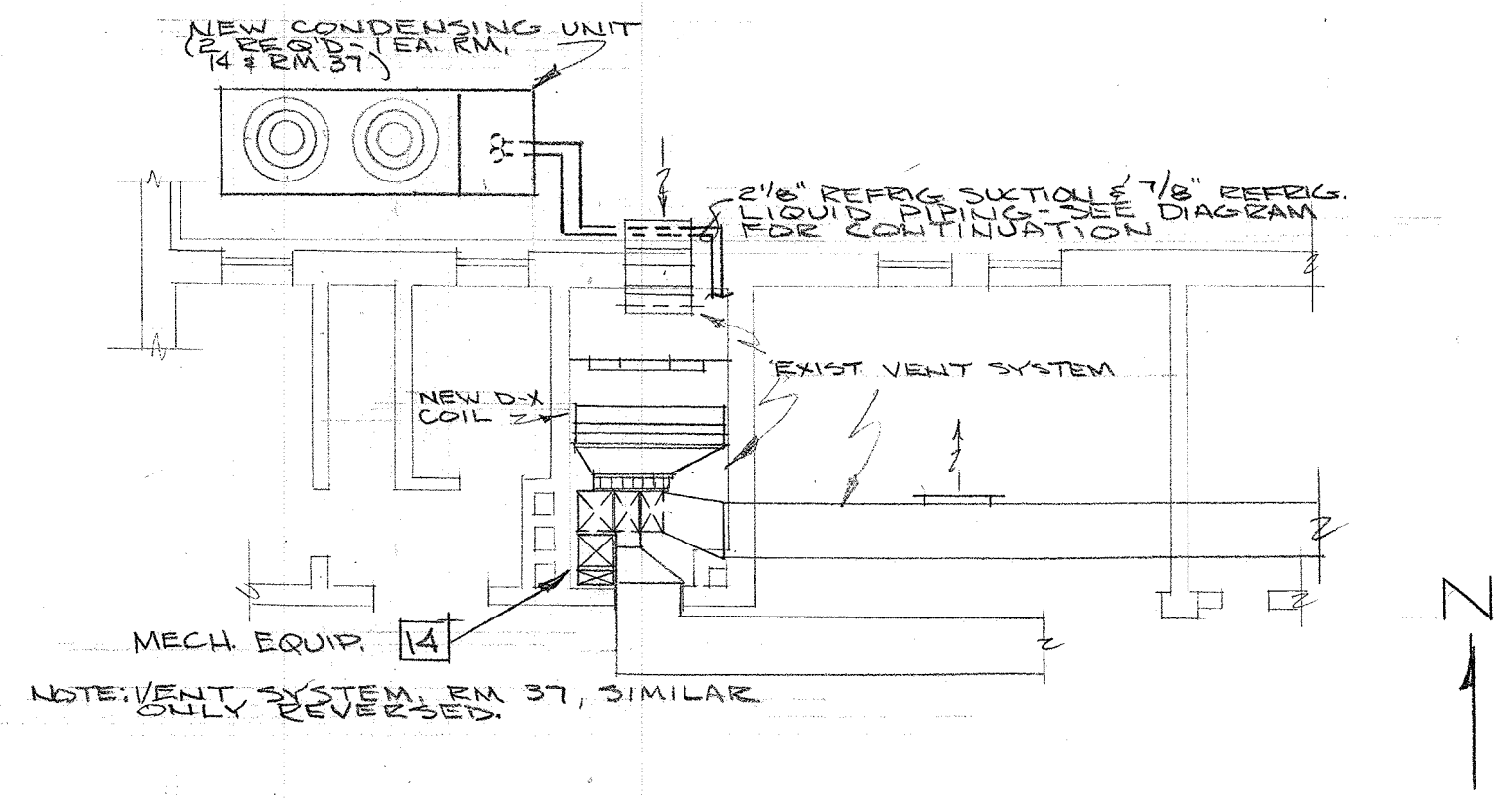


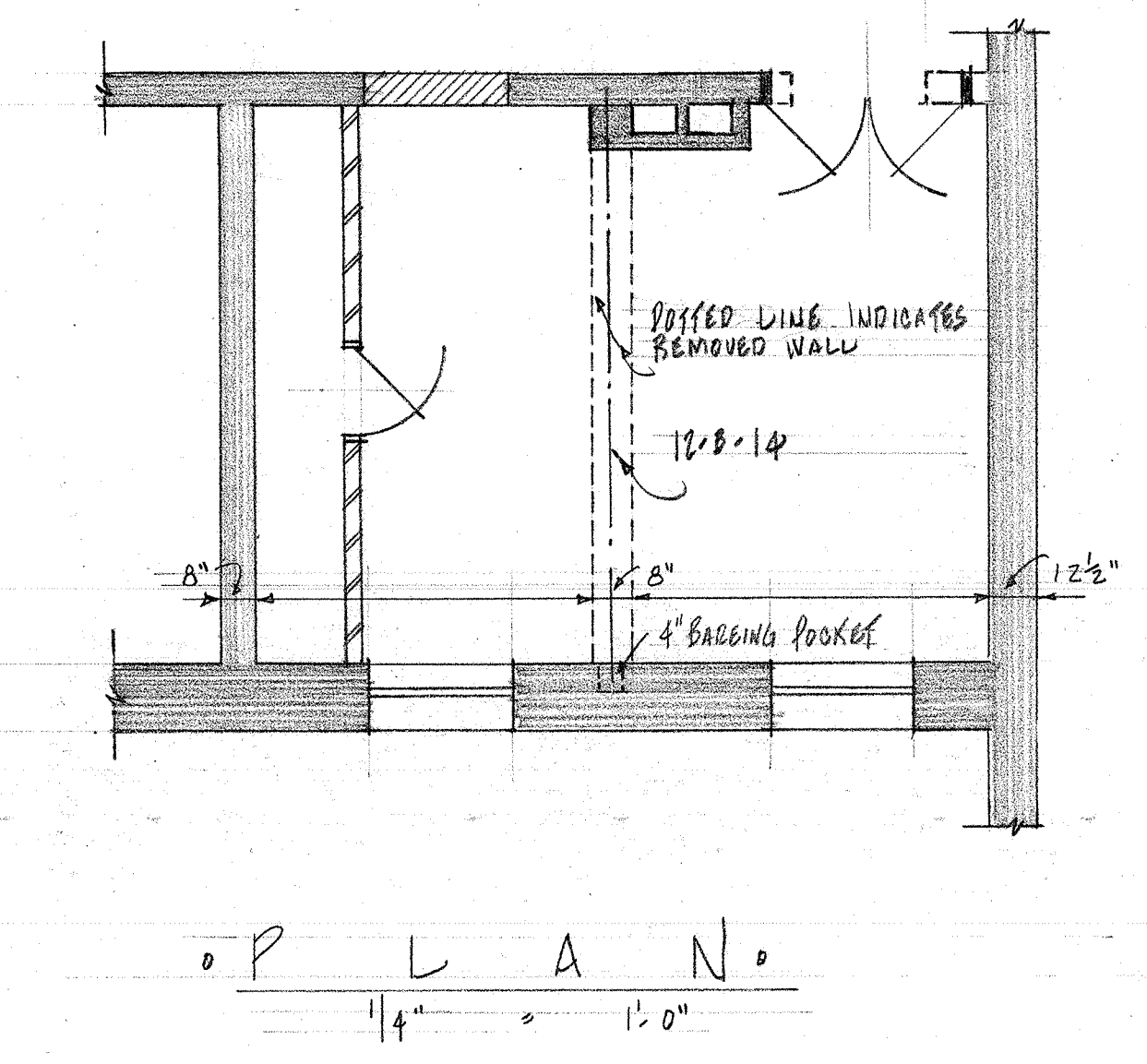
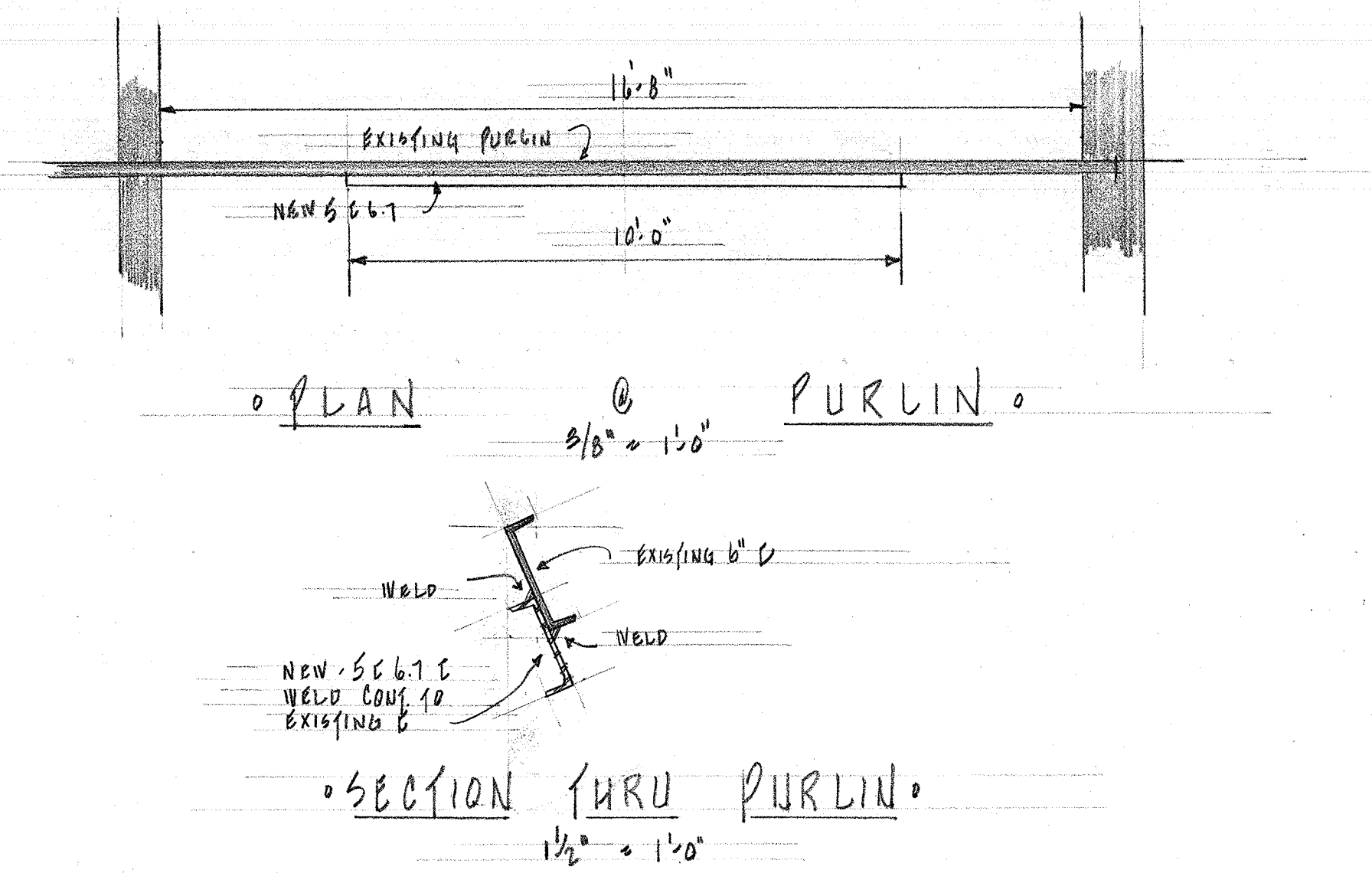
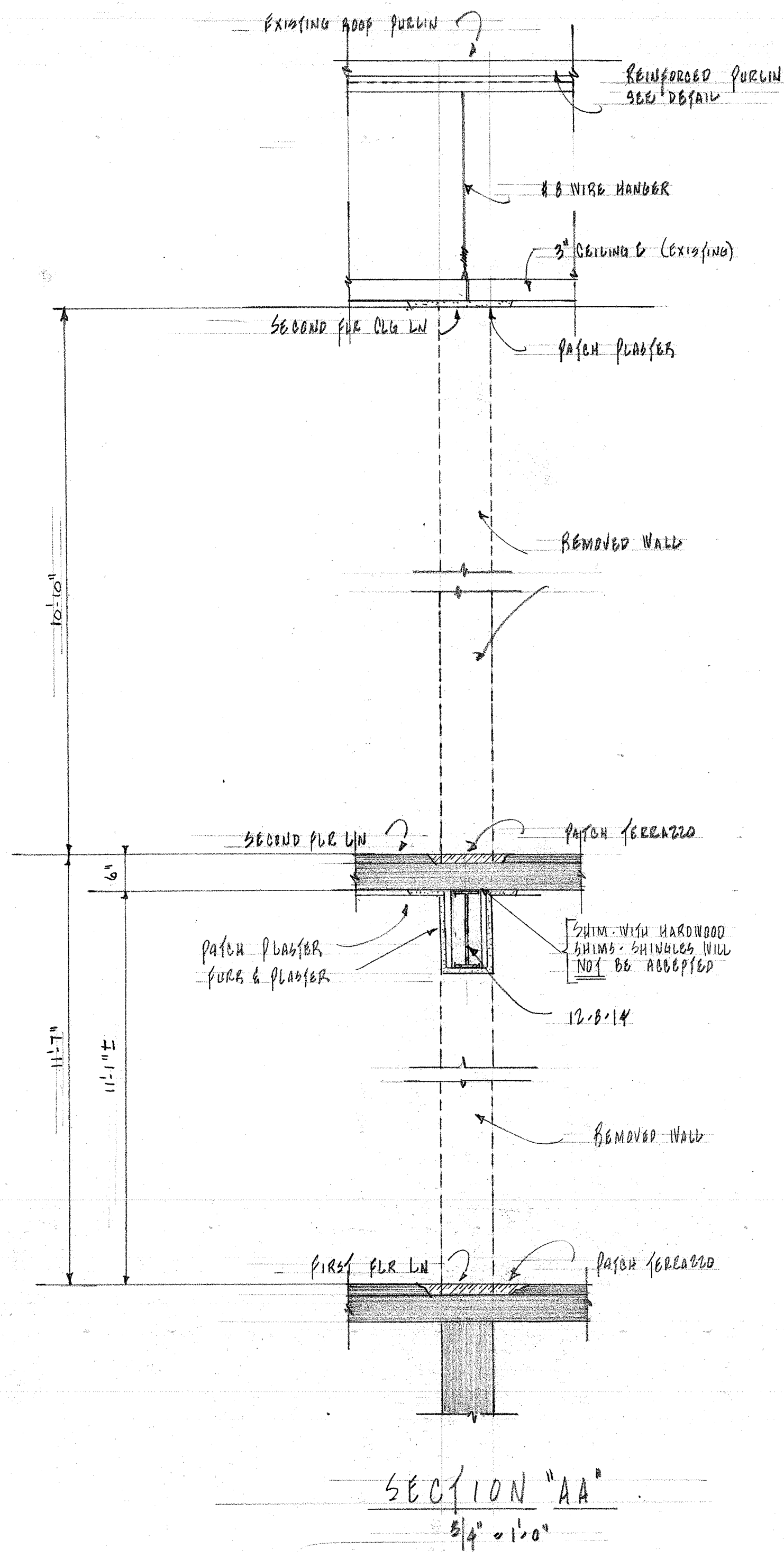
DIAGRAM - COOLING COIL PIPING
NO SCALE



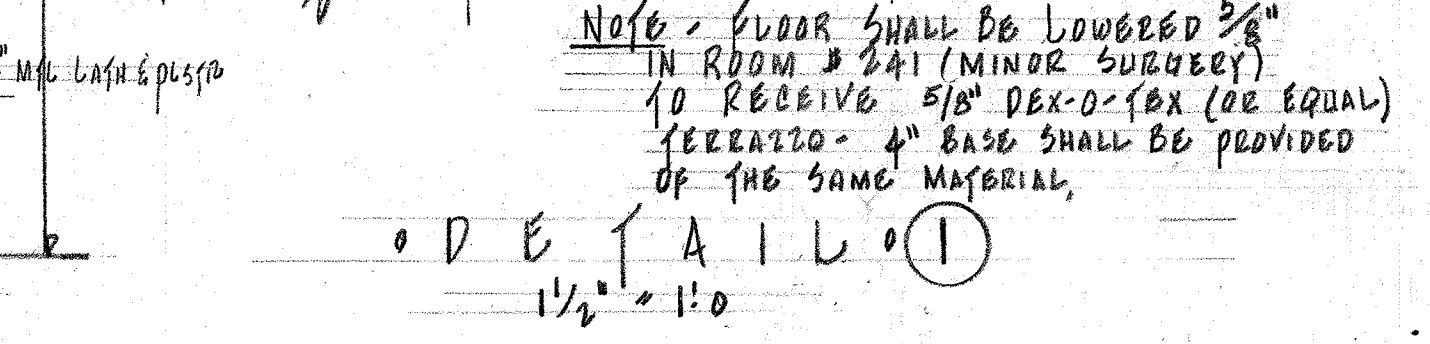
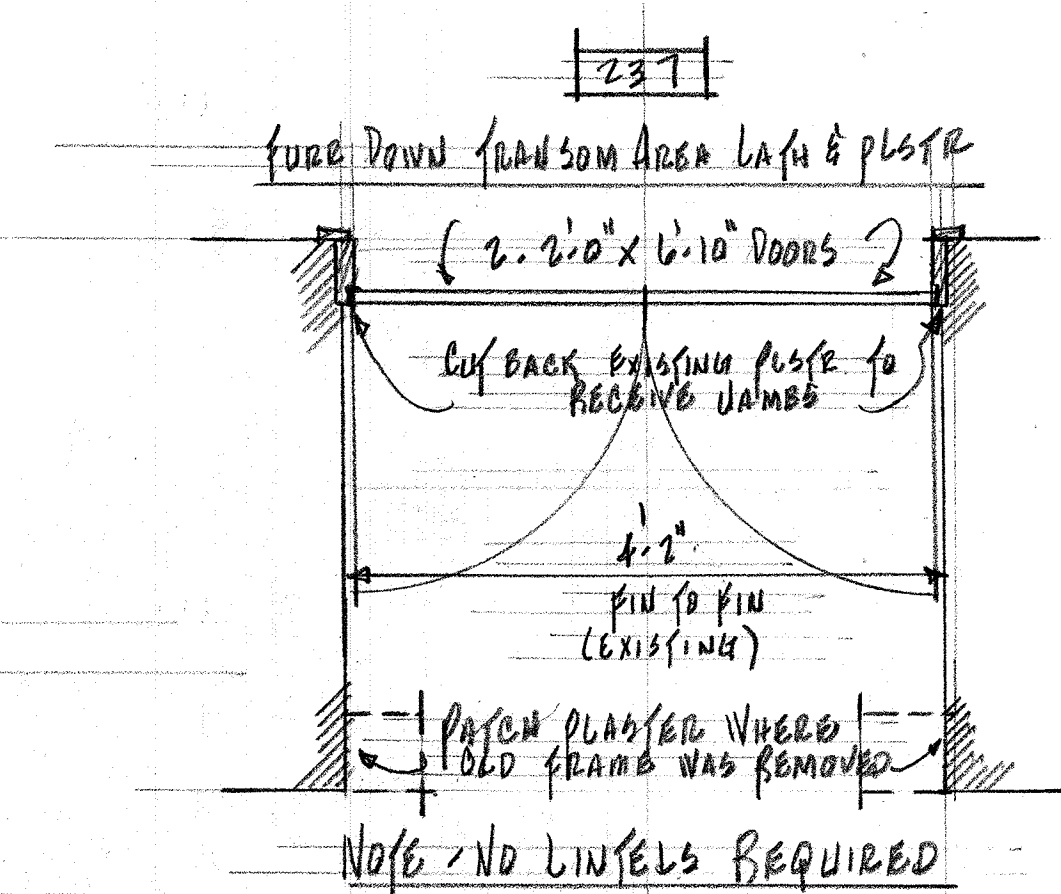
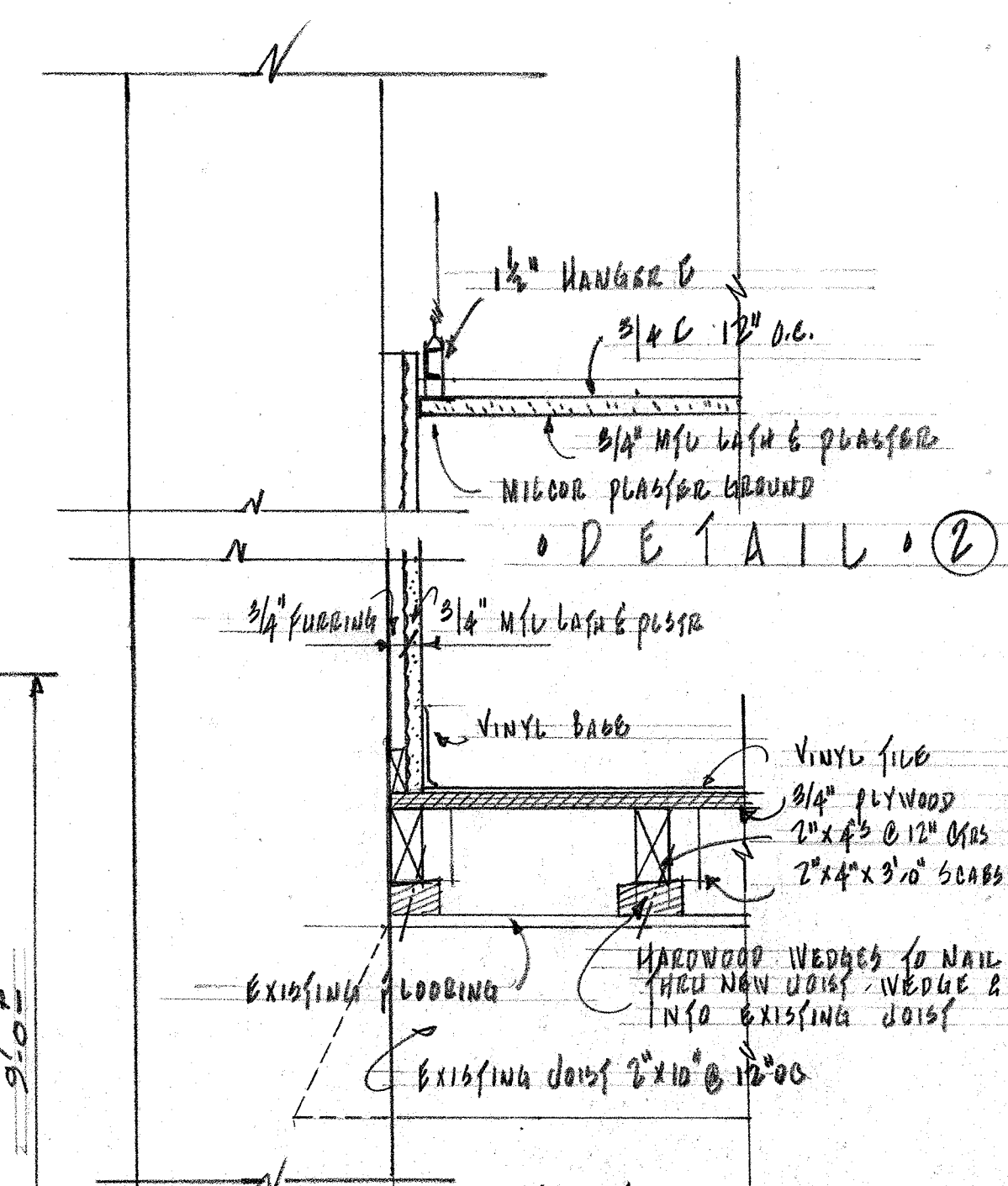
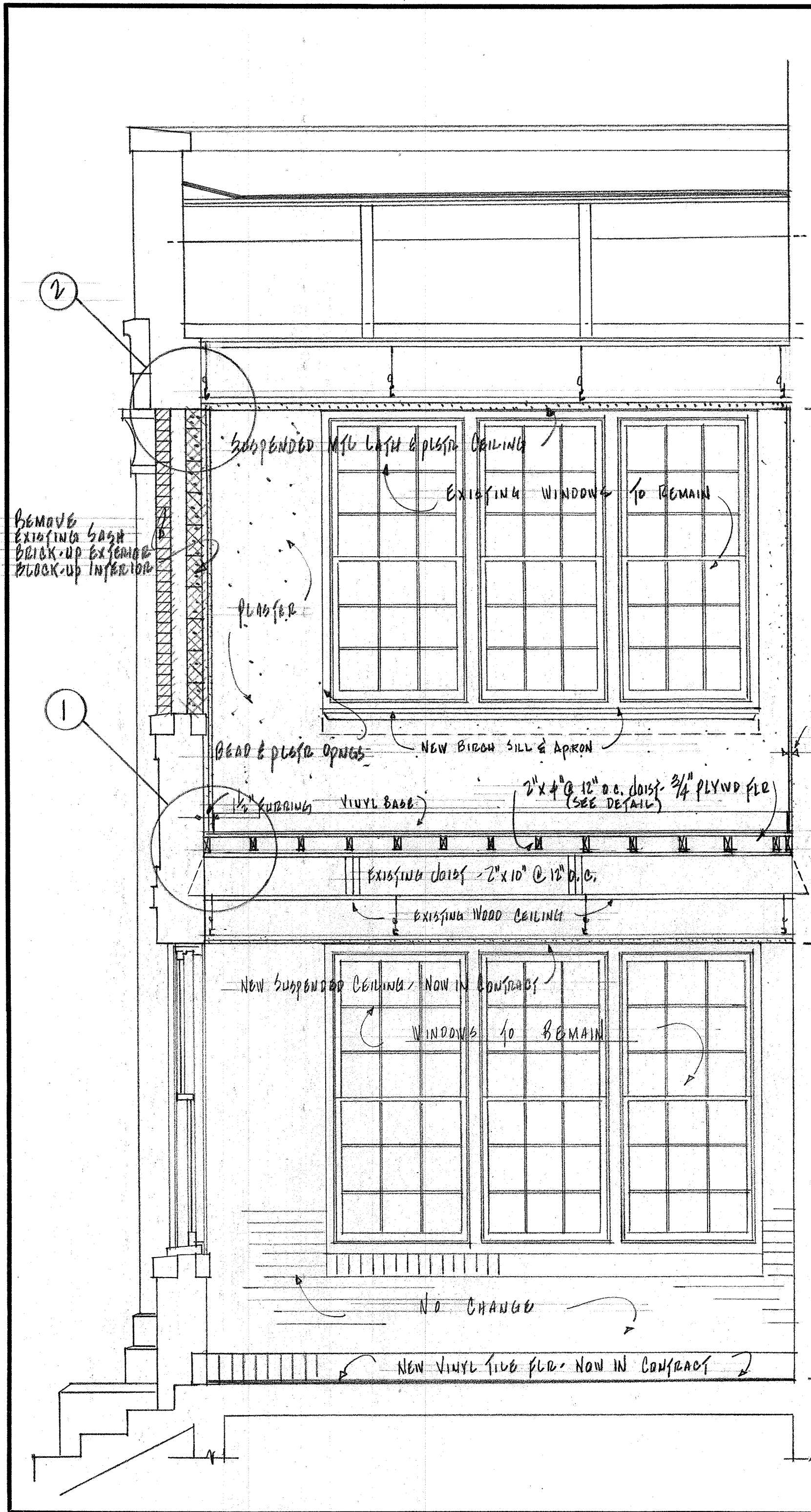
PART GROUND FLOOR PLAN
SCALE: 1/8" = 1'-0"

NOTE: FOR CONT. OF EXIST. SYSTEM & FLOOR PLANS REFER TO RECORD DRAWINGS OF PINEHURST INFIRMARY CONTRACT DRAWINGS DATED 12-1-64.

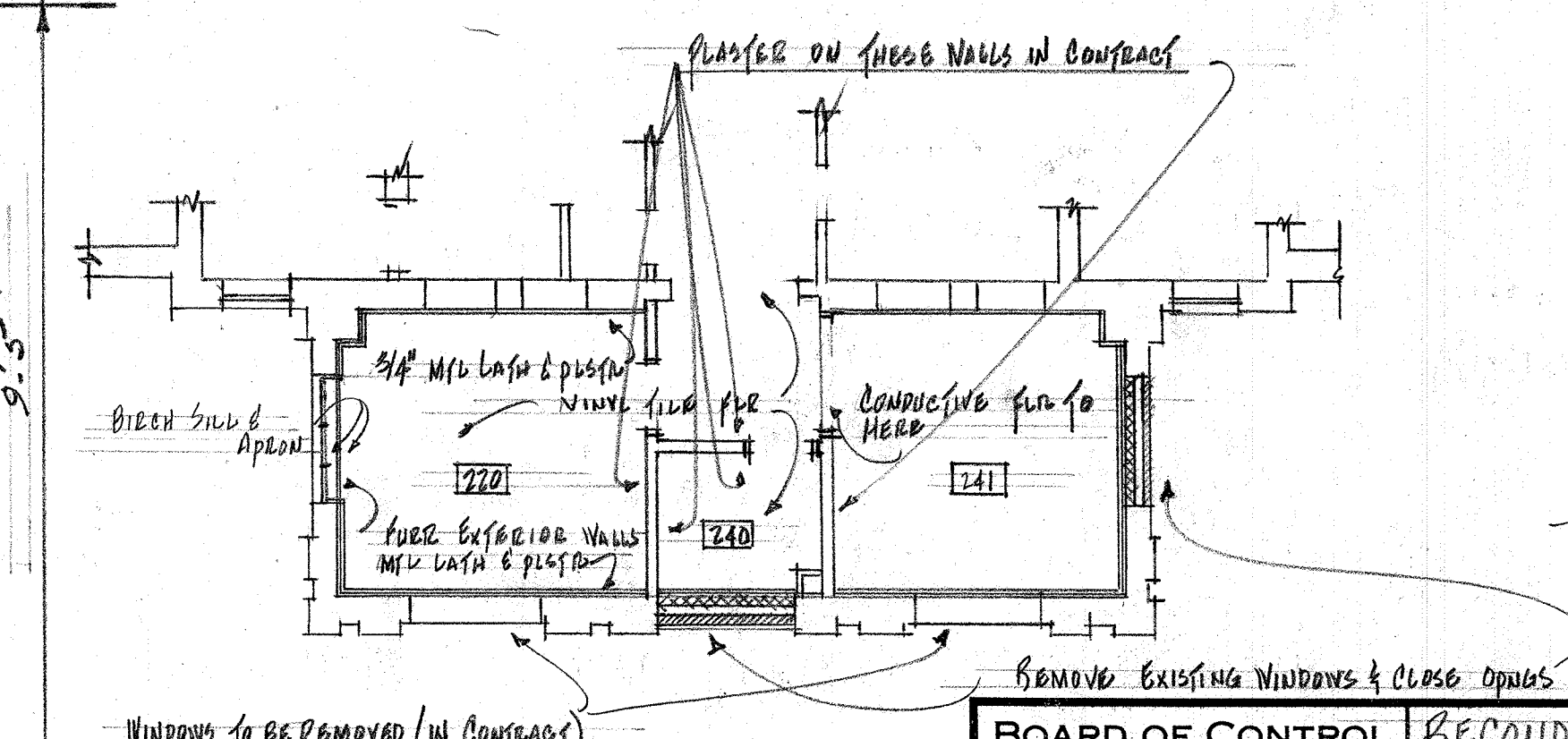
AIR COND. ADDN. TO VENT. SYSTEMS
PINEHURST INFIRMARY
WOODWARD STATE HOSP.
WOODWARD, IOWA



BOARD OF CONTROL OF STATE INSTITUTIONS STATE OFFICE BUILDING DES MOINES, IOWA JIM O. DENNEY CARROLL PRICE RUSSELL WILSON	CHAIRMAN MEMBER MEMBER	RECONDITIONING OF PINEHURST INFIRMARY	DATE FEB. 66
		WOODWARD STATE HOSPITAL & SCH WOODWARD	DRAWING L.R.
FRANK N. BUNKER ARCHITECT			OF



238
 CONDITION @ DOOR # 226
 3/4" = 1'-0"



BOARD OF CONTROL OF STATE INSTITUTIONS	RECONDITIONING OF PINEHURST INFIRMARY	DATE FEB 65
STATE OFFICE BUILDING DES MOINES, IOWA	WOODWARD STATE Hospital & School IOWA	DRAWING 2R
JIM O. HEWY CHAIRMAN CARROLL PRICE MEMBER RUSSELL WILSON MEMBER	WOODWARD	1 OF 1
FRANK N. BUNKER ARCHITECT		

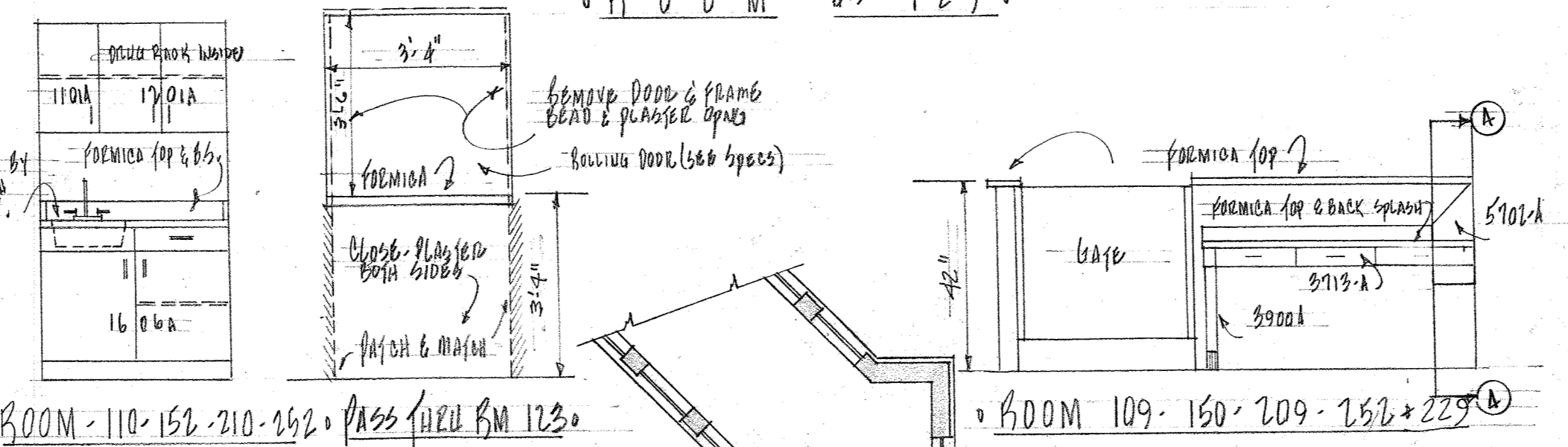
DOOR SCHEDULE

DOOR MARK	SIZE OF DOOR OPENING	DOOR DESIGN	FRAME DETAIL	REMARKS	DOOR MARK	SIZE OF DOOR OPENING	DOOR DESIGN	FRAME DETAIL	REMARKS
101	3' 4" x 6' 10"	B	E	NO DOOR IN OPENING	142	3' 0" x 3' 4"	*	E	GATE
102	3' 2" x 6' 10"	A	E	1 3/4" THICK	143	2' 6" x 6' 10"	A	1	
103	2' 6" x 6' 10"	A	3	REMOVE WIRE DOOR	144	2' 6" x 6' 10"	D	1	
104	3' 0" x 6' 10"	B *	3	2 DOORS	145	3' 6" x 6' 10"	A *	3	REMOVE WIRE DOOR
105	2' 0" x 6' 10"	A	1		146	3' 6" x 6' 10"	A	3	REMOVE WIRE DOOR
106	3' 0" x 6' 10"	A *	3	REMOVE WIRE DOOR	147	3' 0" x 6' 10"	A	1	
107	3' 0" x 6' 10"	A *	3	REMOVE WIRE DOOR	148	3' 0" x 6' 10"	A	1	
108	3' 0" x 6' 10"	A *	3	REMOVE WIRE DOOR	149	3' 0" x 6' 10"	D *	3	2 DOORS
109	3' 0" x 6' 10"	B	1	1 3/4" THICK	150	3' 4" x 6' 10"	A	E	
110	3' 6" x 6' 10"	A	1	NO DOOR IN OPENING	151	3' 6" x 6' 10"	E	E	
111	3' 6" x 6' 10"	A	E		152	3' 4" x 6' 10"	C	3	
112	3' 6" x 6' 10"	A	E		153	4' 4" x 6' 10"	C	1	2 DOORS
113	3' 6" x 6' 10"	A	E		154	4' 4" x 6' 10"	C	1	2 DOORS
114	3' 6" x 6' 10"	A	E						
115	4' 4" x 6' 10"	C	E	2 DOORS					
116	3' 6" x 6' 10"	A *	3						
117	3' 6" x 6' 10"	A *	3						
118	3' 6" x 6' 10"	A *	3						
119	REMOVE DOOR			SEE FLOOR PLAN					
120									
121									
122	3' 6" x 6' 10"	A *	3						
123	3' 6" x 6' 10"	A *	3						
124	3' 0" x 6' 10"	C	3						
125	3' 0" x 6' 10"	C	3						
126	ELEVATOR								
127	3' 0" x 3' 4"			GATE					
128	3' 4" x 6' 10"	B *	1						
129	3' 4" x 6' 10"	B *	1						
130	3' 6" x 6' 10"	A	1						
131	2' 8" x 6' 10"	C	E						
132									
133	3' 0" x 6' 10"	B *	1	OUTER DOOR					
134	3' 0" x 6' 10"	B *	1						
135	3' 0" x 6' 10"	B *	1						
136	3' 0" x 6' 10"	B *	1						
137	3' 0" x 6' 10"	B *	1						
138	3' 0" x 6' 10"	B *	1	2 DOORS					
139	3' 0" x 6' 10"	B *	1						
140	3' 0" x 6' 10"	B *	1						
141									

FIRST FLOOR ROOM FINISH SCHEDULE

ROOM NUMBER	ROOM NAME	FLOOR	BASE	WAINSCOT	WALLS	CEILING	REMARKS
101	DAY ROOM						SEE DETAILS FOR WAINSCOT
102	CORRIDOR						PATCH & MATCH WHERE CHANGES TO BE REMOVED
103	TOILET ROOM						
104	PIPE SPACE						
105	Nurse Room						CURTAIN TRACKS
106	LINEIN & OUTFITTING ROOM						
107	BATH ROOM						SEE DETAILS FOR CABINETS
108	TOILET ROOM						SEE DETAILS FOR CABINETS
109	NURSE STATION						
110	TOILET ROOM						4" x 6" WAIN ON WALL GLAZE TOILET ROOM
111	TOILET						SEE CABINET DETAILS
112	WASH ROOM						4" x 6" WAIN ON WALL GLAZE TOILET ROOM
113	TOILET ROOM						4" x 6" WAIN ON WALL GLAZE TOILET ROOM
114	ISOLATION ROOM						
115	ISOLATION ROOM						
116	ISOLATION ROOM						
117	CORRIDOR						
118	TOILET						TOILET PARTITION
119	TOILET						TOILET PARTITION
120	STAIR HALL						
121	VISITORS & PATIENT WAITING ROOM						
122	TOILET						SEE DETAILS CABINETS
123	NURSE STATION						
124	EXAM ROOM						
125	EXAM ROOM						
126	EXAM ROOM						
127	EXAM ROOM						
128	EXAM ROOM						
129	EXAM ROOM						
130	EXAM ROOM						
131	EXAM ROOM						
132	CORRIDOR						
133	EXAM ROOM						
134	EXAM ROOM						
135	EXAM ROOM						
136	EXAM ROOM						
137	EXAM ROOM						
138	EXAM ROOM						
139	EXAM ROOM						
140	EXAM ROOM						
141	EXAM ROOM						
142	EXAM ROOM						
143	EXAM ROOM						
144	EXAM ROOM						
145	EXAM ROOM						
146	EXAM ROOM						
147	EXAM ROOM						
148	EXAM ROOM						
149	EXAM ROOM						
150	EXAM ROOM						
151	EXAM ROOM						
152	EXAM ROOM						
153	EXAM ROOM						
154	EXAM ROOM						
155	EXAM ROOM						
156	EXAM ROOM						
157	EXAM ROOM						
158	EXAM ROOM						
159	EXAM ROOM						
160	EXAM ROOM						

ROOM # 129

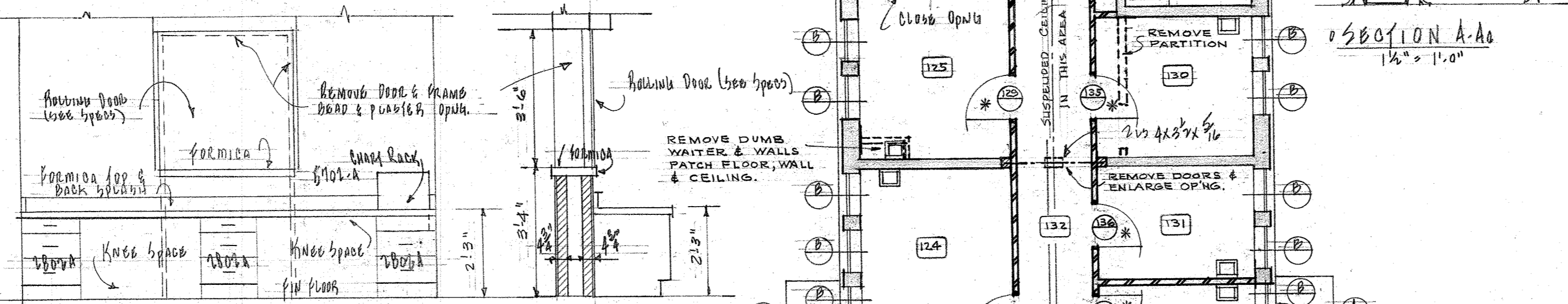


ROOM # 110, 152, 210, 242, PASS THROUGH RM 123

ROOM 109, 150, 209, 252, 229

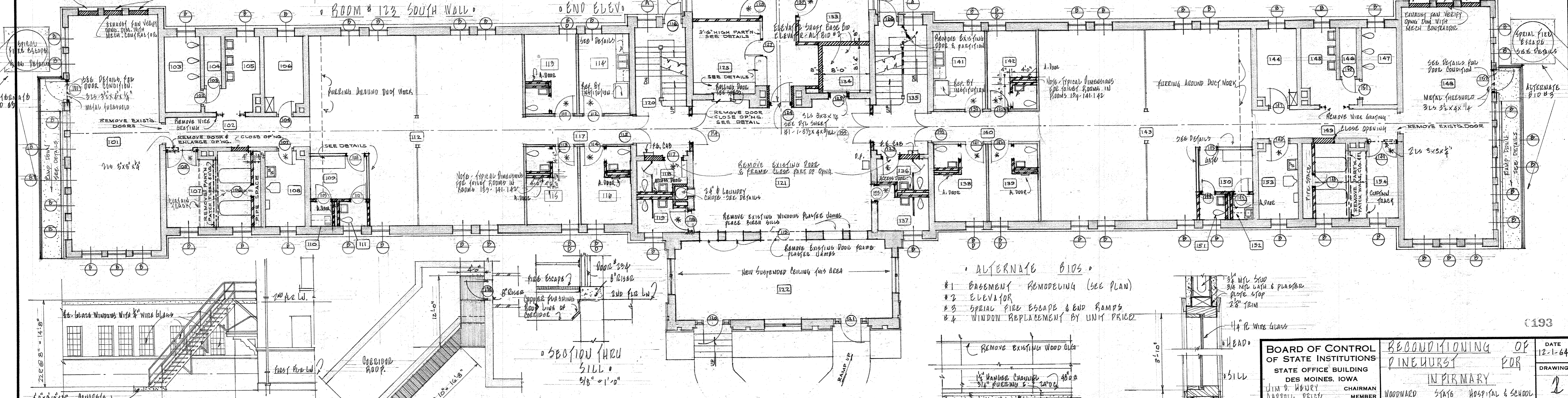
ROOM 114 & 141, REVERSED ROOMS 214, 246

ROOM # 123, EAST WALL



ROOM # 123, SOUTH WALL

END ELEV.



FIRST FLOOR PLAN

SCALE: 1/8" = 1'-0"

- ALTERNATE BIDS**
- #1 BASEMENT REMODELING (SEE PLAN)
 - #2 ELEVATOR
 - #3 SPECIAL FIRE ESCAPE & END RAMPS
 - #4 WINDOW REPLACEMENT BY UNIT PRICE

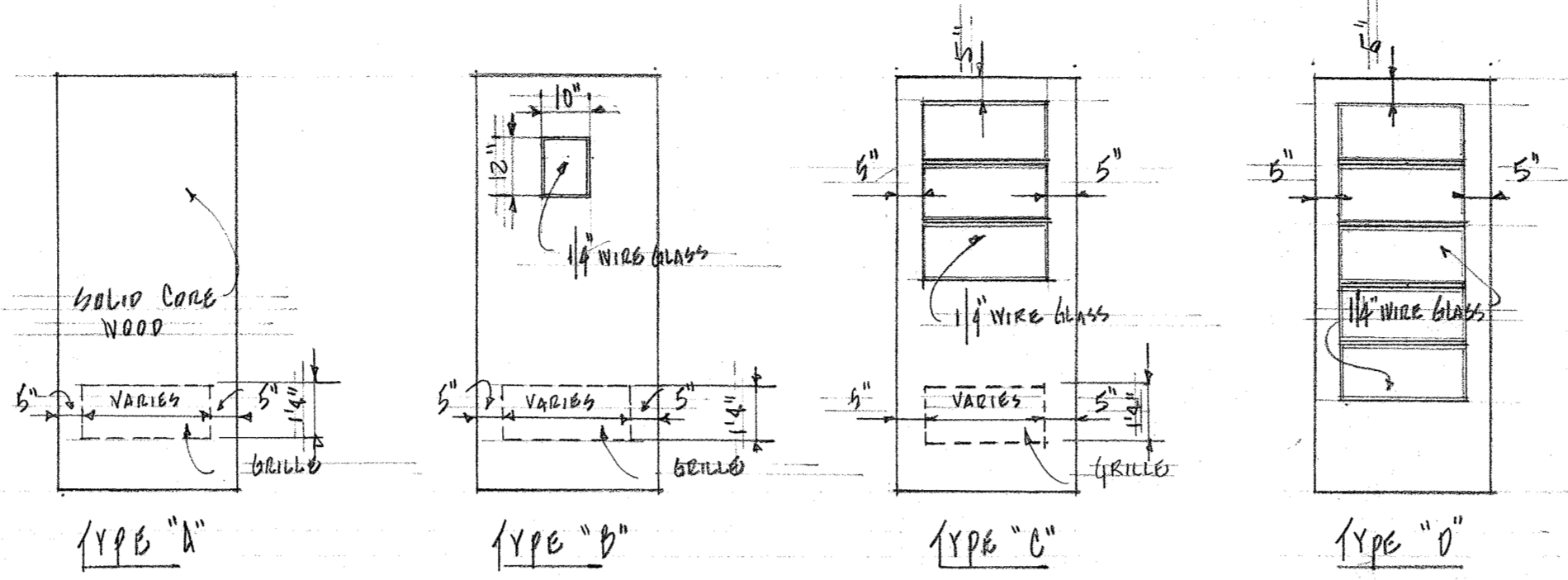
BOARD OF CONTROL OF STATE INSTITUTIONS STATE OFFICE BUILDING DES MOINES, IOWA JIM D. HUBBY, CHAIRMAN BARRETT PRIDD, MEMBER BARRETT W. WILSON, MEMBER	RECONDITIONING OF PINEBURST INFIRMARY	DATE: 12-1-64 DRAWING: 2 OF 6
	WOODWARD STAIRS HOSPITAL & SCHOOL WOODWARD	2
	FRANK N. BUNKER ARCHITECT	FIRST FLOOR PLAN
		2 OF 6

42 B 39.4

DOOR SCHEDULE

DOOR MARK	SIZE OF DOOR OPENING	DOOR DESIGN	FRAME DETAIL	REMARKS	DOOR MARK	SIZE OF DOOR OPENING	DOOR DESIGN	FRAME DETAIL	REMARKS
201	Escape Door			SEE DETAILS	242	3' 0" x 6' 10"	B *	3	
202	5' 0" x 6' 10"	B *	3	REMOVE WIRE DOOR	243	ELEVATOR			
203	5' 0" x 6' 10"	B *	3	NO DOOR IN OPENING	244	2' 6" x 6' 10"	A *	3	
204	7' 0" x 6' 10"	A	E	1 1/2" THICK	245	4' 4" x 6' 10"	C	E	2 DOORS
205	5' 0" x 6' 10"	A	E	REMOVE WIRE DOOR	246		*	E	
206	5' 0" x 6' 10"	A *	E	REMOVE WIRE DOOR	247		*	E	
207	2' 0" x 3' 4"	A	1	SAFE	248		*	E	
208	5' 0" x 6' 10"	C	1		249		*	E	
209	2' 6" x 6' 10"	B	1		250	3' 0" x 3' 4"	A	1	SAFE
210	2' 6" x 6' 10"	A	1		251	2' 6" x 6' 10"	A	1	
211		*	E		252	2' 6" x 6' 10"	B	1	
212		*	E		253	2' 6" x 6' 10"	A	B	REMOVE WIRE DOOR
213		*	E		254	2' 6" x 6' 10"	A *	E	REMOVE WIRE DOOR
214		*	E		255	2' 0" x 6' 10"	A	1	
215	4' 4" x 6' 10"	C	E	2 DOORS	256	2' 0" x 6' 10"	B *	3	BACKUP TRANSFER 2 DOORS
216	2' 6" x 6' 10"	A *	3		257	3' 0" x 6' 10"	A	E	1 1/2" THICK
217	2' 6" x 6' 10"	A *	3		258				NO DOOR IN OPENING
218	3' 0" x 6' 10"	A *	1		259	Escape Door			SEE DETAILS
219	6' 0" x 6' 10"	C	1		260	4' 4" x 6' 10"	C	E	2 DOORS
220	6' 0" x 6' 10"	B	1		261	4' 4" x 6' 10"	C	E	2 DOORS
221	3' 0" x 6' 10"	B *	1		262	3' 0" x 6' 10"	C	E	PULL DOOR
222	3' 0" x 6' 10"	B	1						
223	6' 0" x 6' 10"	B *	1						
224	3' 0" x 6' 10"	A *	1						
225	2' 6" x 6' 10"	A *	1						
226	6' 0" x 6' 10"	C	2						
227	3' 0" x 6' 10"	C *	2						
228	3' 0" x 6' 10"	A	2	SHIELDED					
229	3' 6" x 6' 10"	A	2	SHIELDED					
230	3' 0" x 6' 10"	B *	1						
231	3' 0" x 6' 10"	C *	1	OUTER DOOR					
232	3' 4" x 6' 10"	B *	1						
233	3' 4" x 6' 10"	B *	1						
234	3' 4" x 6' 10"	B *	1						
235	6' 0" x 6' 10"	A	1	LEAD LINED					
236	2' 6" x 6' 10"	A	1						
237	2' 6" x 6' 10"	A	1						
238	2' 6" x 6' 10"	A	1						
239	2' 6" x 6' 10"	A	1						
240	3' 4" x 6' 10"	A	1						
241	3' 0" x 6' 10"	B *	3						

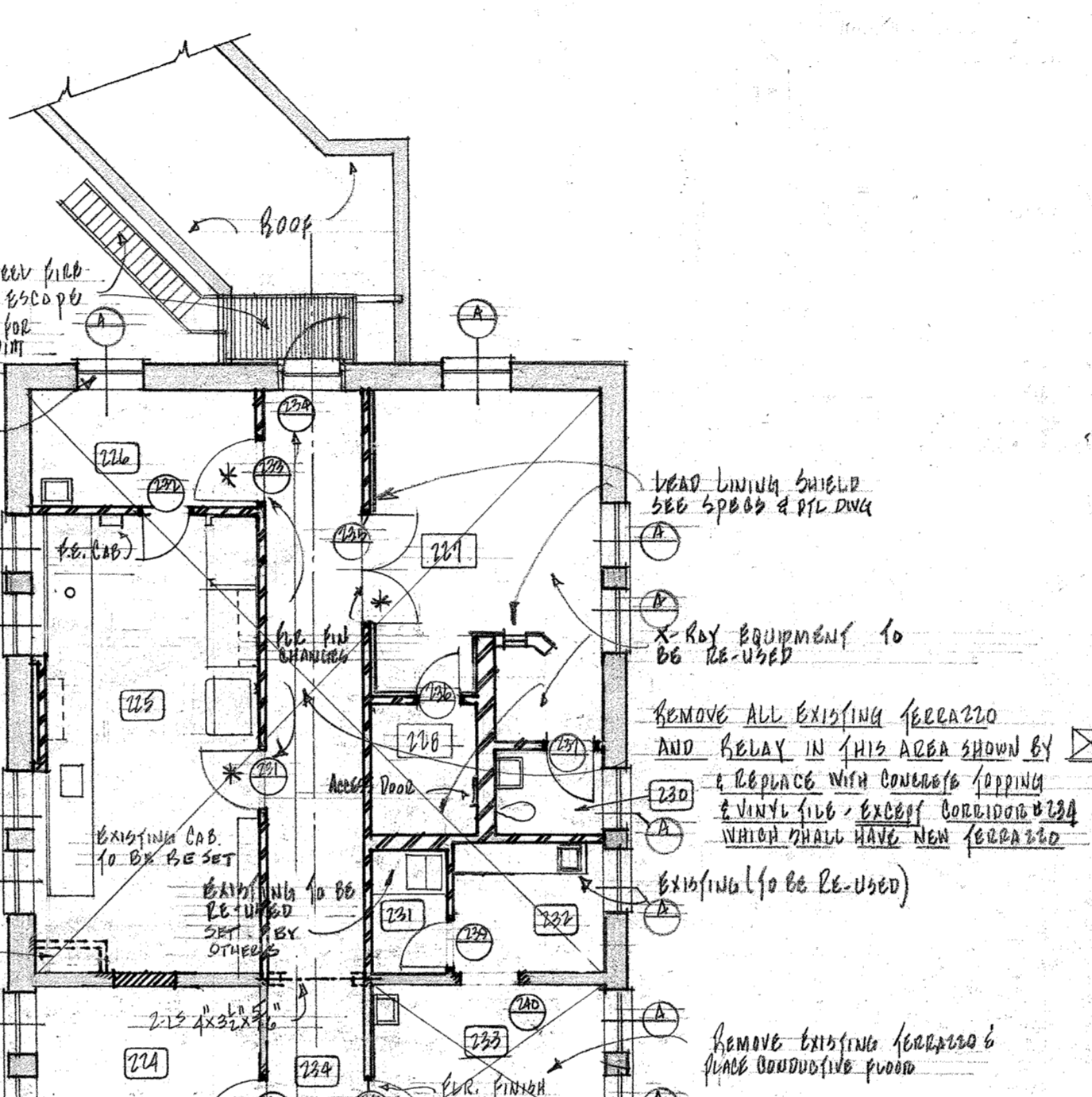
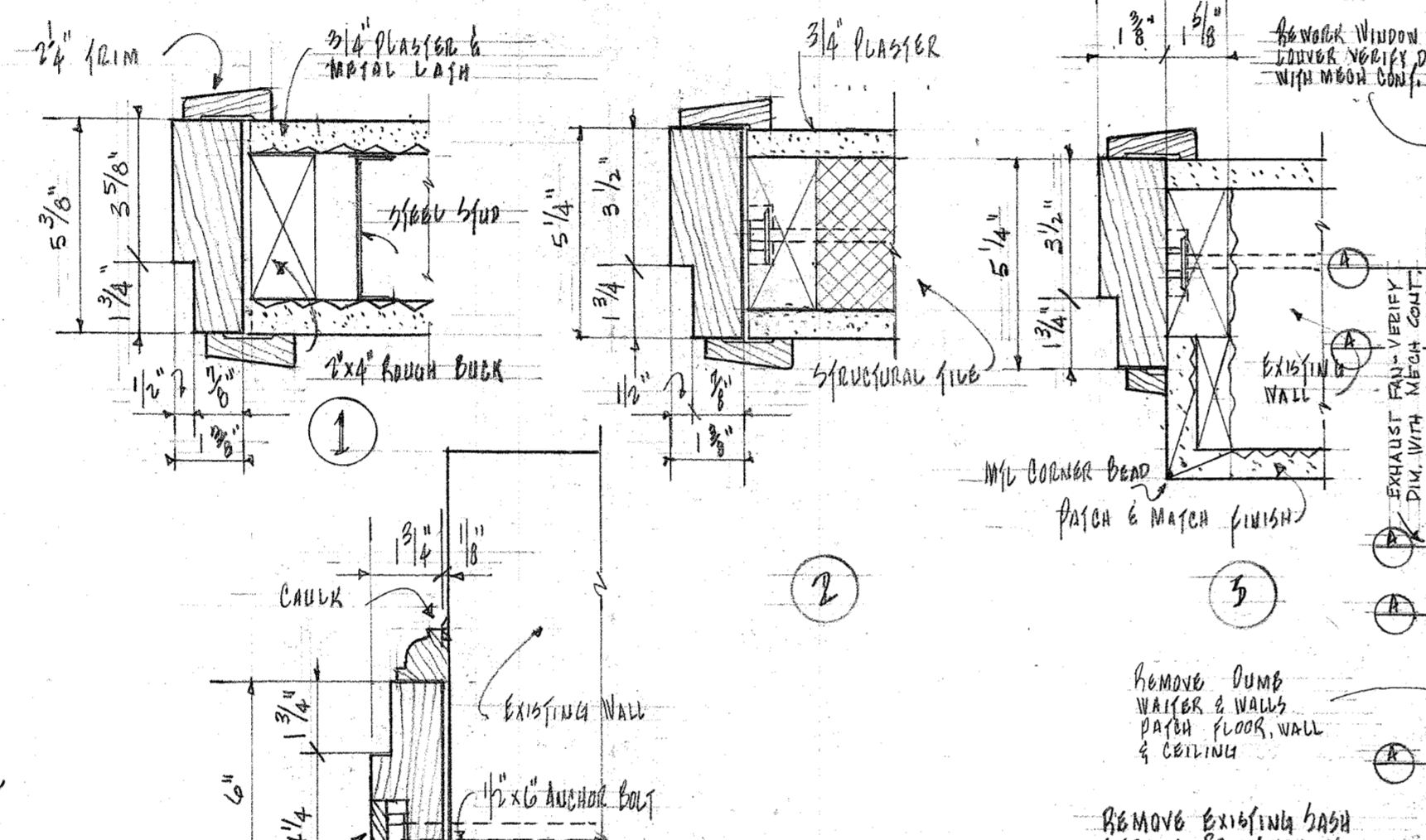
DOOR TYPES



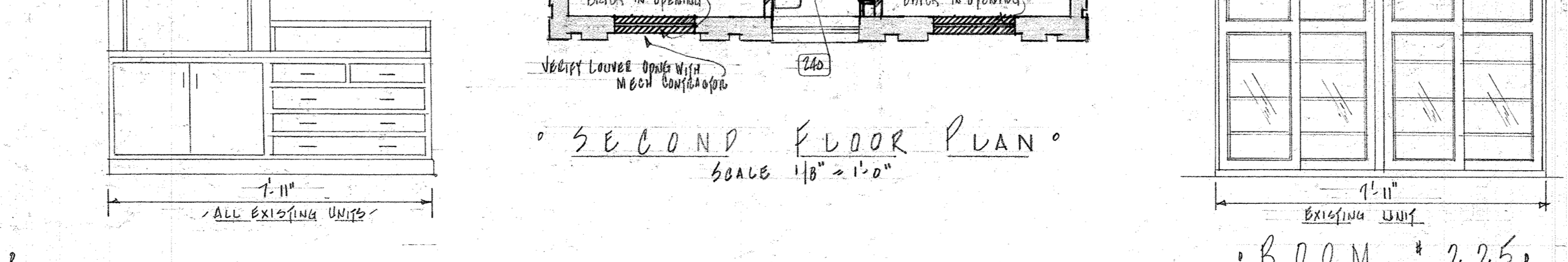
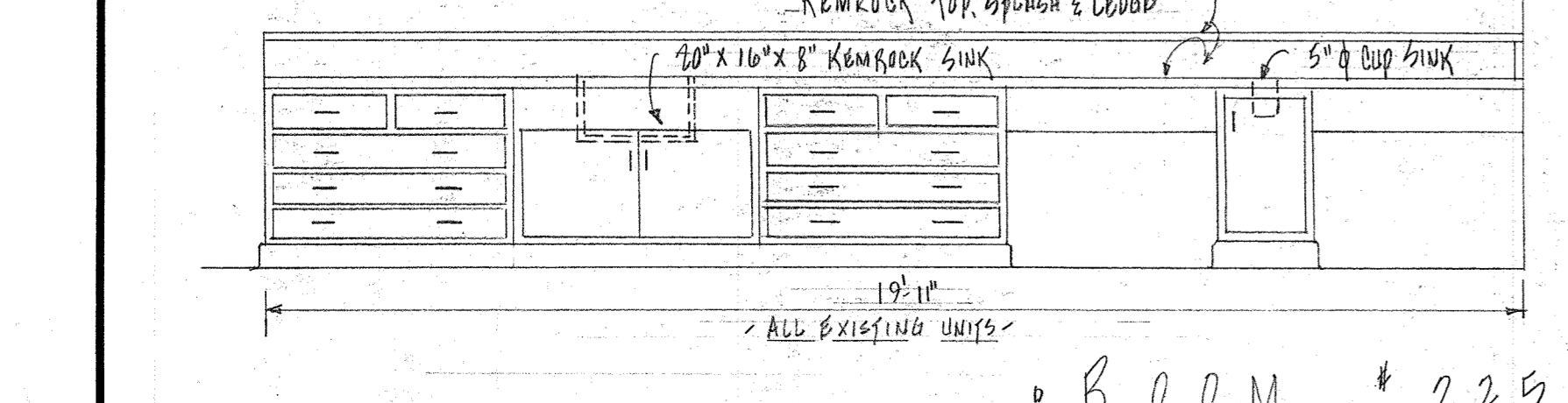
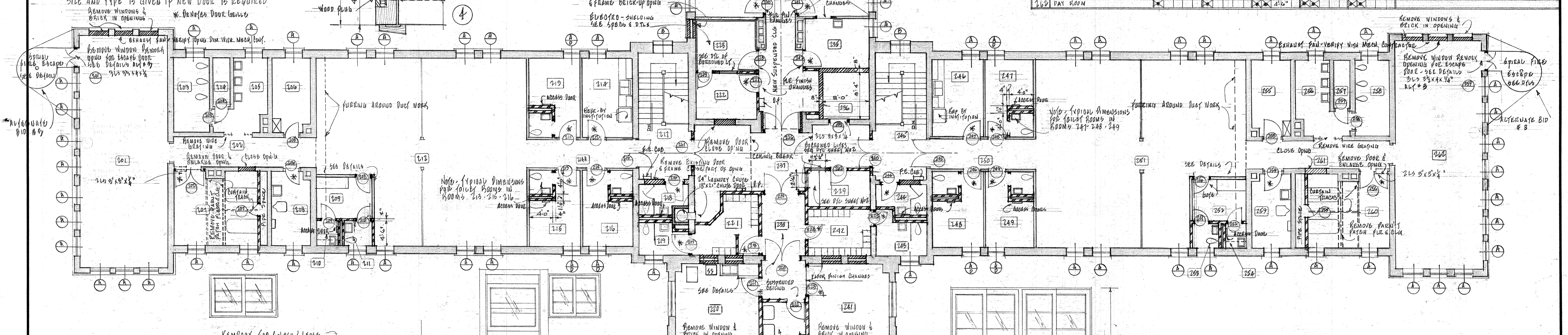
* DENOTES DOOR GROUND ON FLOOR PLANS - SEE DOOR SCHEDULE WITH MINUS 10"

SECOND FLOOR ROOM FINISH SCHEDULE

ROOM NUMBER	ROOM NAME	FLOOR	BASE	WAINSCOT	WALLS	CEILING	REMARKS
201	PAY ROOM						
202	LOCKERS						
203	TOILET ROOM						
204	PIPE SPACE						
205	WASH ROOM						
206	WASH & DRESSING ROOM						
207	REST ROOM						
208	UTILITY ROOM						
209	NURSES STATION						SEE CABINET DETAILS
210	DRUG ROOM						SEE CABINET DETAILS
211	TOILET						
212	WASH						
213	ISOLATION ROOM						4" WAINSCOT WALL GLAZE IN TOILET ROOM
214	DIRTY KITCHEN						SEE CABINET DETAILS
215	ISOLATION ROOM						4" WAINSCOT WALL GLAZE IN TOILET ROOM
216	ISOLATION ROOM						4" WAINSCOT WALL GLAZE IN TOILET ROOM
217	STAIR HALL						
218	TOILET						TOILET PARTITION
219	MENS TOILET ROOM						TOILET PARTITION
220	STAIR SUPPLY						
221	MENS DRESSING ROOM						LOCKERS SEE SPECIFICATIONS
222	B. O. C.						
223	B. O. C. PATIENT						8" SPECIAL ELECTRO SHIELDING (SEE SPECS) & DTL
224	OPER. LAB LABORATORY						
225	CHEMISTRY LABORATORY						SEE CABINET DETAILS EXISTING TO BE RE-USED
226	PATIENT OBSERVATION						REPLACE EXISTING FLOOR WITH CONCRETE FLOOR
227	X-RAY						REPLACE EXISTING FLOOR WITH CONCRETE FLOOR
228	DARK ROOM						REPLACE EXISTING FLOOR WITH CONCRETE FLOOR
229	NURSES OFFICE						REPLACE EXISTING FLOOR WITH CONCRETE FLOOR
230	TOILET						REPLACE EXISTING FLOOR WITH CONCRETE FLOOR
231	DARK ROOM						REPLACE EXISTING FLOOR WITH CONCRETE FLOOR
232	DENTAL LABORATORY						RE-USE EXISTING CABINET
233	TOILET						REPLACE EXISTING FLOOR WITH CONCRETE FLOOR
234	CORRIDOR						REPLACE EXISTING FLOOR WITH CONCRETE FLOOR
235	TOILET						REPLACE EXISTING FLOOR WITH CONCRETE FLOOR
236	TOILET						REPLACE EXISTING FLOOR WITH CONCRETE FLOOR
237	WAITING ROOM						8" SUSPEND CEILING (SEE FLOOR PLAN)
238	CORRIDOR						8" SUSPEND CEILING
239	TOILET						REPLACE EXISTING FLOOR WITH CONCRETE FLOOR
240	TOILET						REPLACE EXISTING FLOOR WITH CONCRETE FLOOR
241	MINOR SURGERY						REPLACE EXISTING FLOOR WITH CONCRETE FLOOR
242	WOMENS DRESSING ROOM						LOCKERS SEE SPECIFICATIONS
243	WOMENS TOILET ROOM						TOILET PARTITION
244	TOILET						TOILET PARTITION
245	DINING HALL						SEE CABINET DETAILS
246	REST ROOM						SEE CABINET DETAILS
247	ISOLATION ROOM						4" WAINSCOT WALL GLAZE IN TOILET ROOM
248	ISOLATION ROOM						4" WAINSCOT WALL GLAZE IN TOILET ROOM
249	ISOLATION ROOM						4" WAINSCOT WALL GLAZE IN TOILET ROOM
250	LOCKERS						
251	WASH						
252	WASH STATION						SEE CABINET DETAILS
253	TOILET						SEE CABINET DETAILS
254	DRUG ROOM						
255	WASH & DRESSING ROOM						
256	WASH ROOM						
257	PIPE SPACE						
258	TOILET						
259	UTILITY ROOM						
260	BATH ROOM						
261	CORRIDOR						
262	PAY ROOM						



NOTE: EXISTING DOORS ARE MARKED AS "E" UNDER FRAME DETAIL IN SCHEDULE IF NO CHANGE IS IMPLIED - DOOR SIZE AND TYPE IS GIVEN IF NEW DOOR IS REQUIRED



BOARD OF CONTROL OF STATE INSTITUTIONS
STATE OFFICE BUILDING
DES MOINES, IOWA

CHAIRMAN: JIM O. HENRY
MEMBER: CARROLL PRICE
MEMBER: RUSSELL T. WILSON

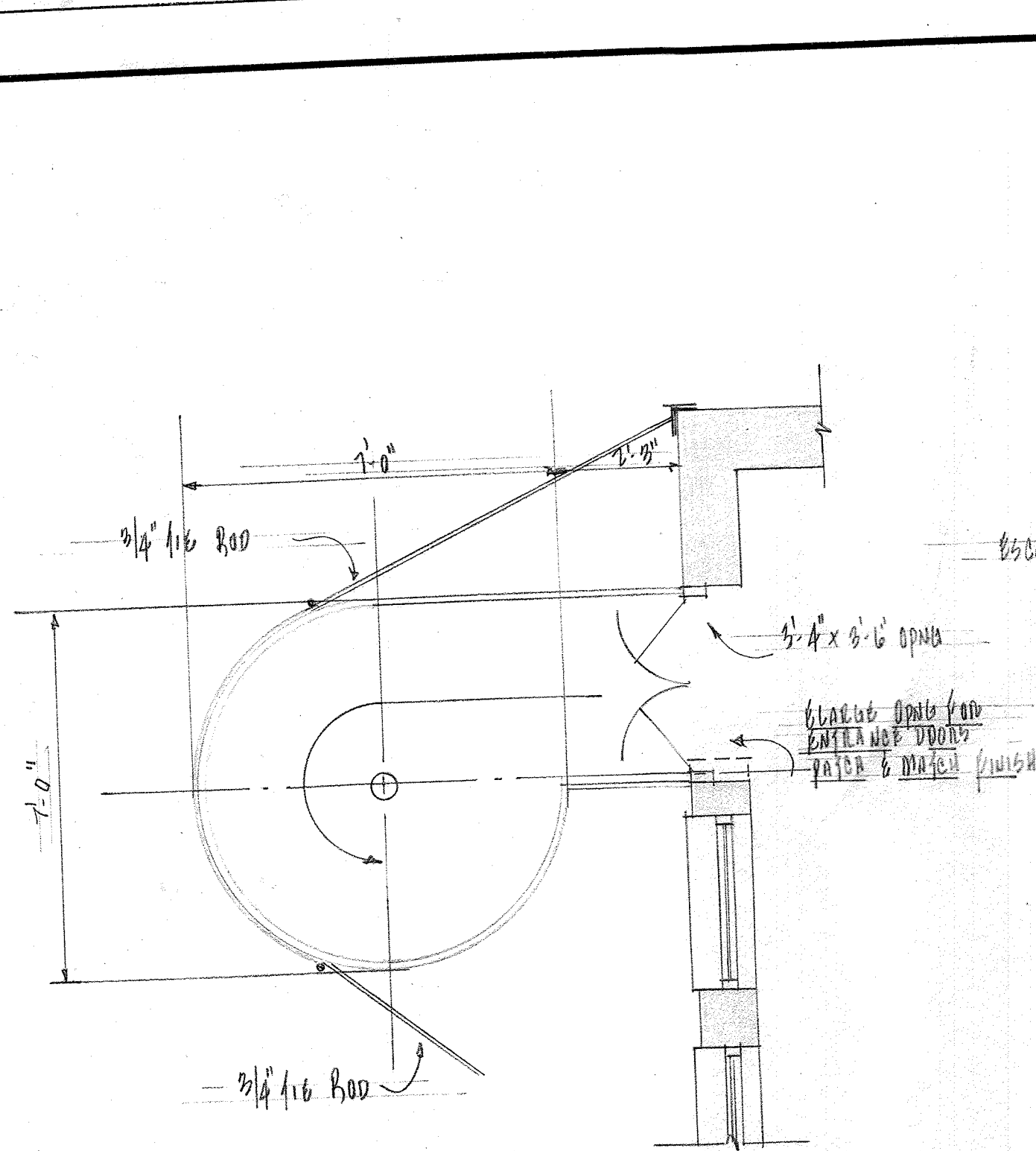
FRANK N. BUNKER ARCHITECT

RECONDITIONING OF PINEHURST INFIRMARY

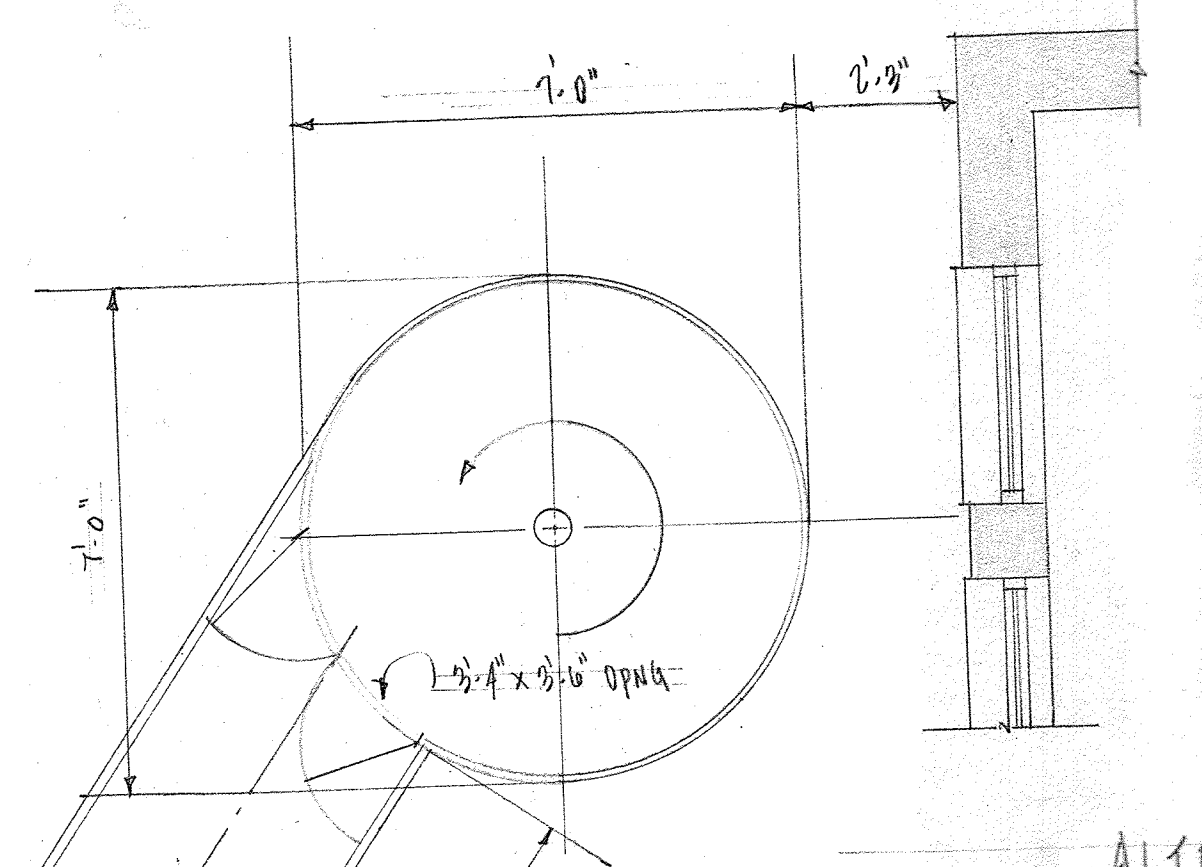
WOODWARD STATE HOSPITAL & SCHOOL IOWA

SECOND FLOOR PLAN

DATE: 12-1-64
DRAWING: 39
PAGE: 3 OF 6

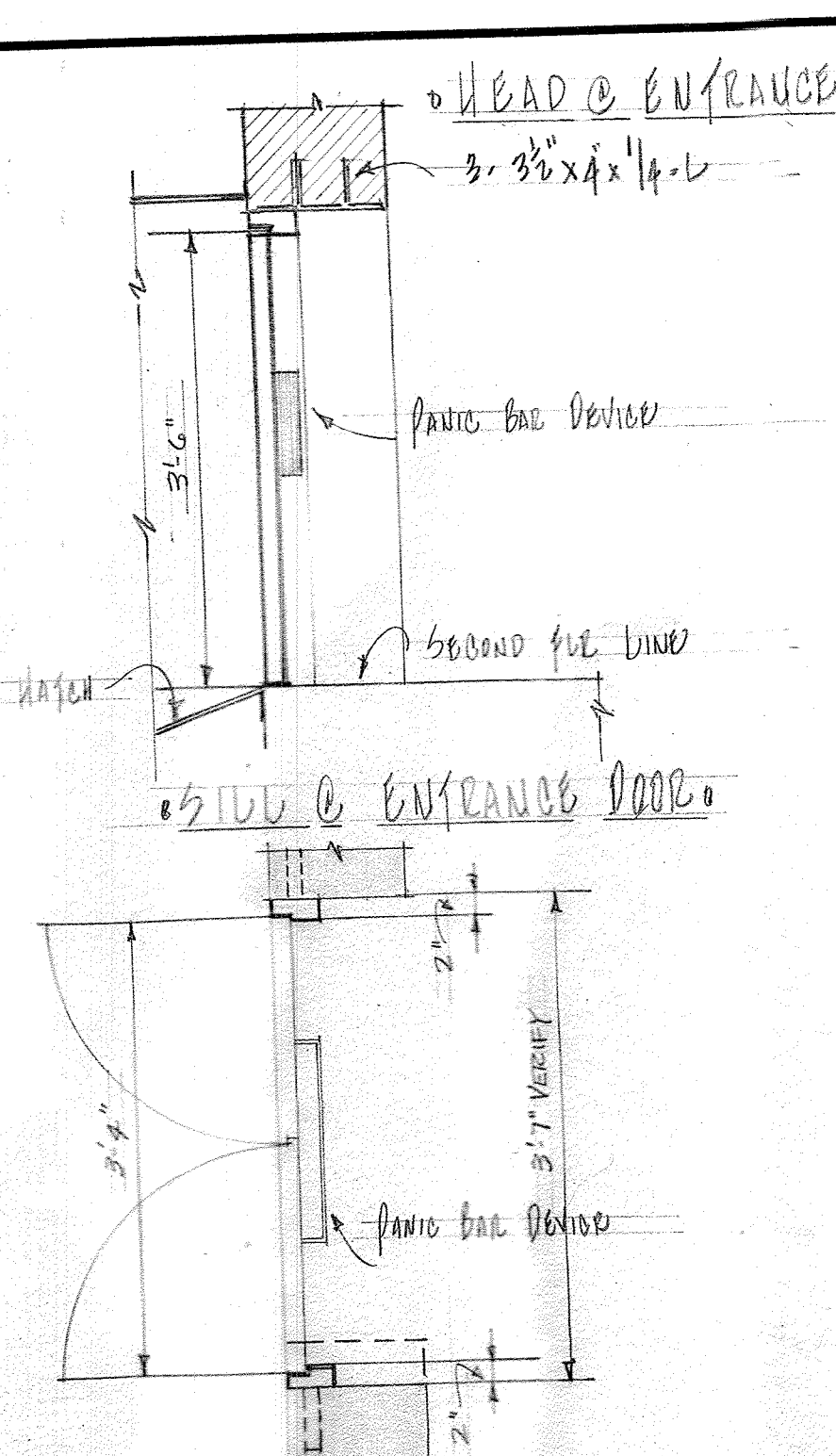


PLAN @ SECOND FLOOR
3/8" = 1'-0"

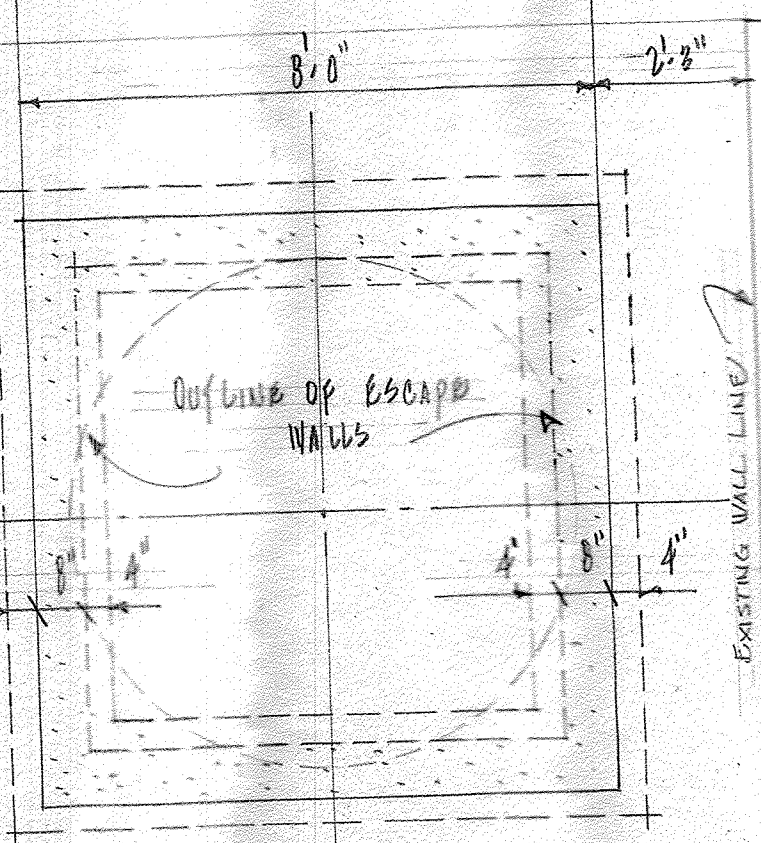


PLAN @ GROUND LEVEL
3/8" = 1'-0"

NOTE: EACH SPINAL ESCAPE DOOR @ WEST WING AND ONE @ EAST WING ARE SIMILAR.

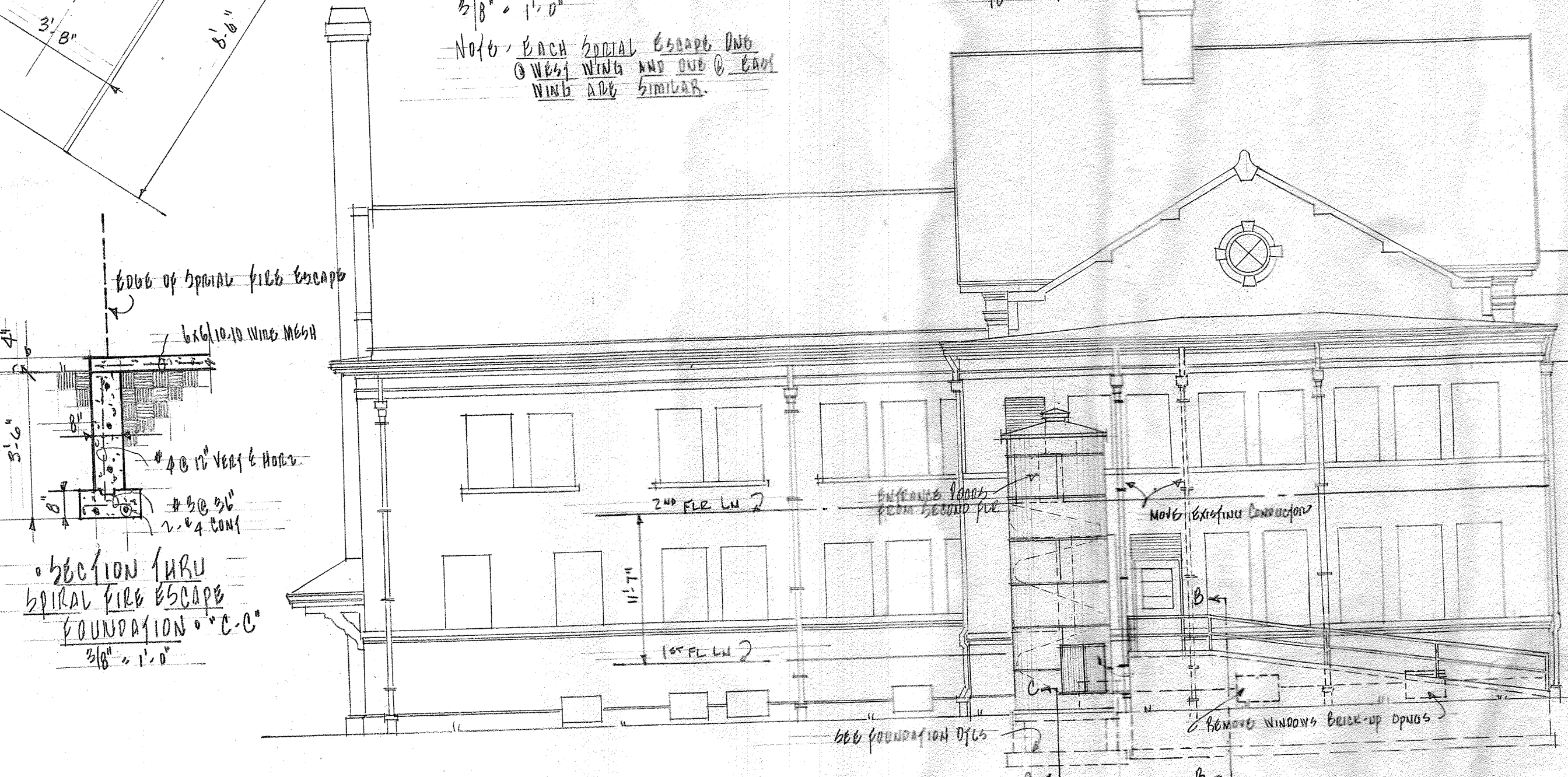


HEAD @ ENTRANCE DOOR
3/8" = 1'-0"

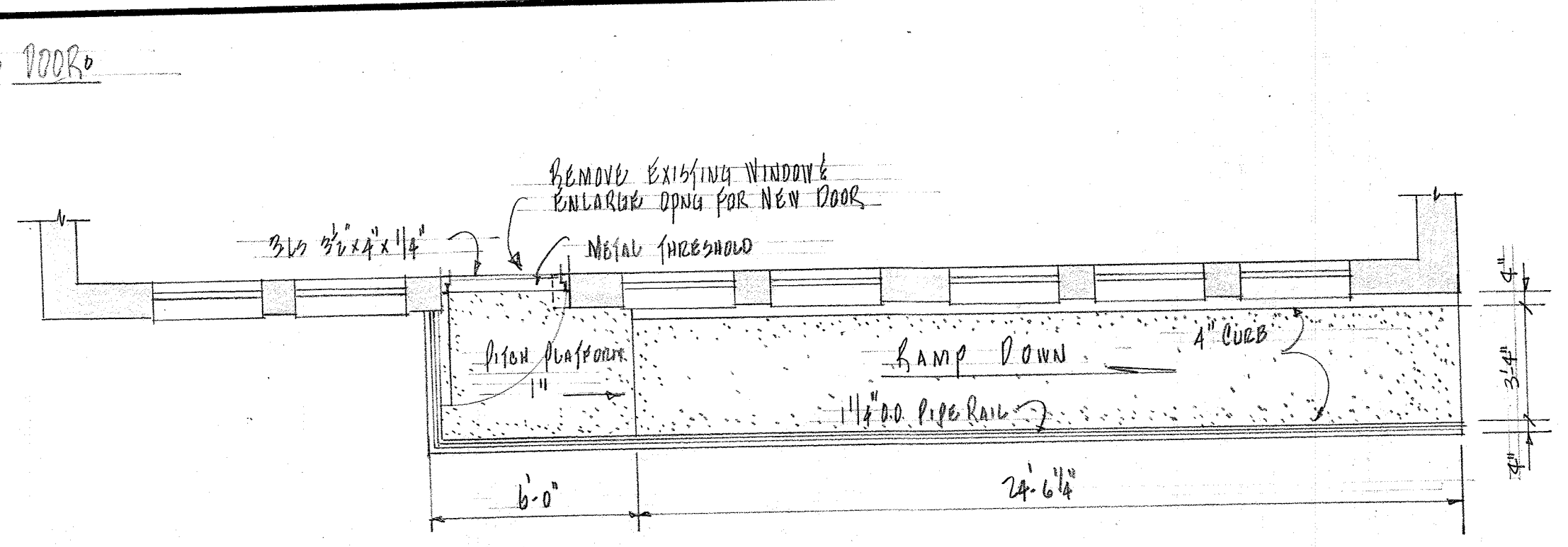


JAMB @ ENTRANCE DOOR
3/8" = 1'-0"

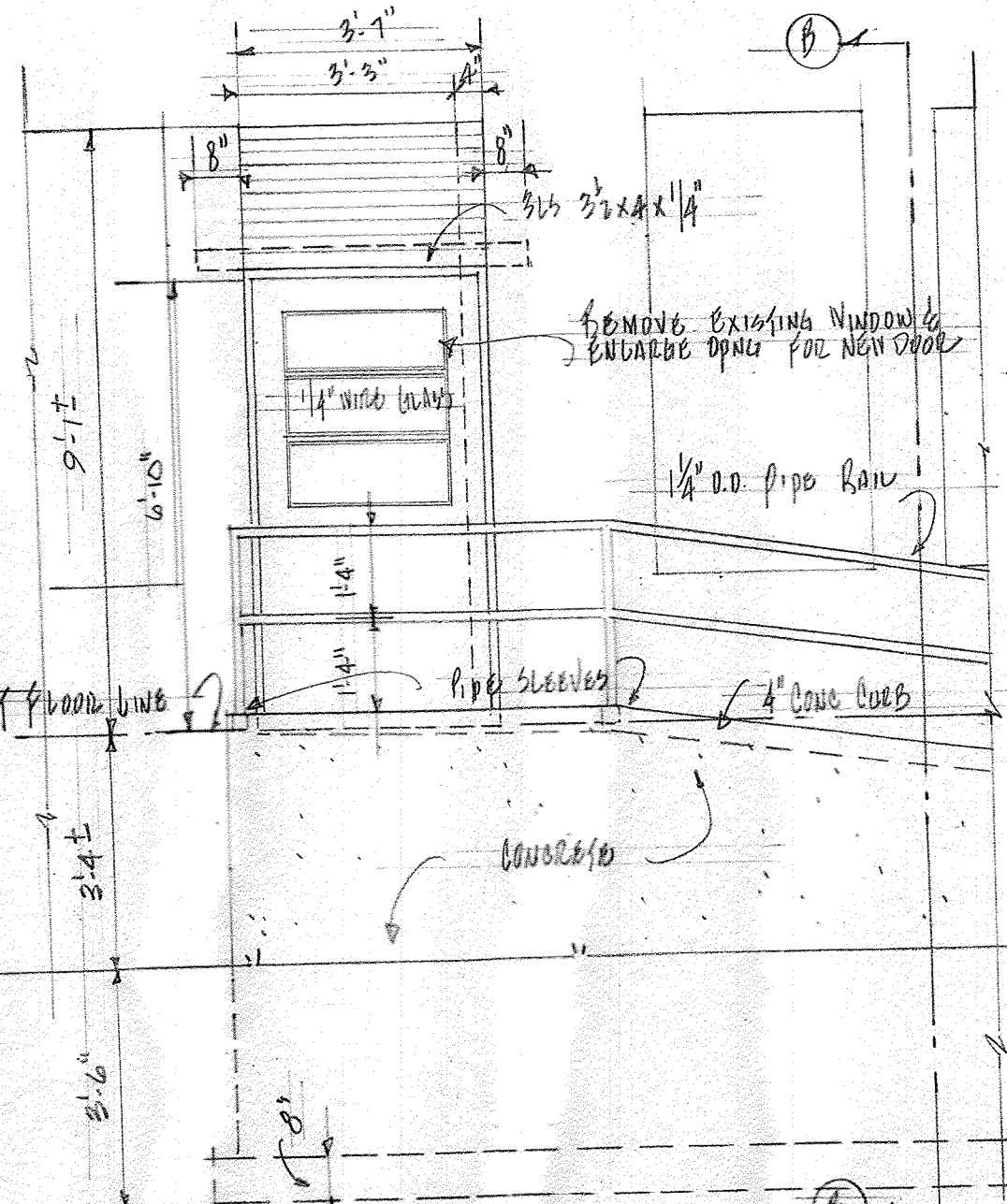
ALTERNATE NO. 3A
FOUNDATION PLAN
3/8" = 1'-0"



WEST ELEVATION
(EAST ELEVATION SIMILAR)
1 1/2" = 1'-0"

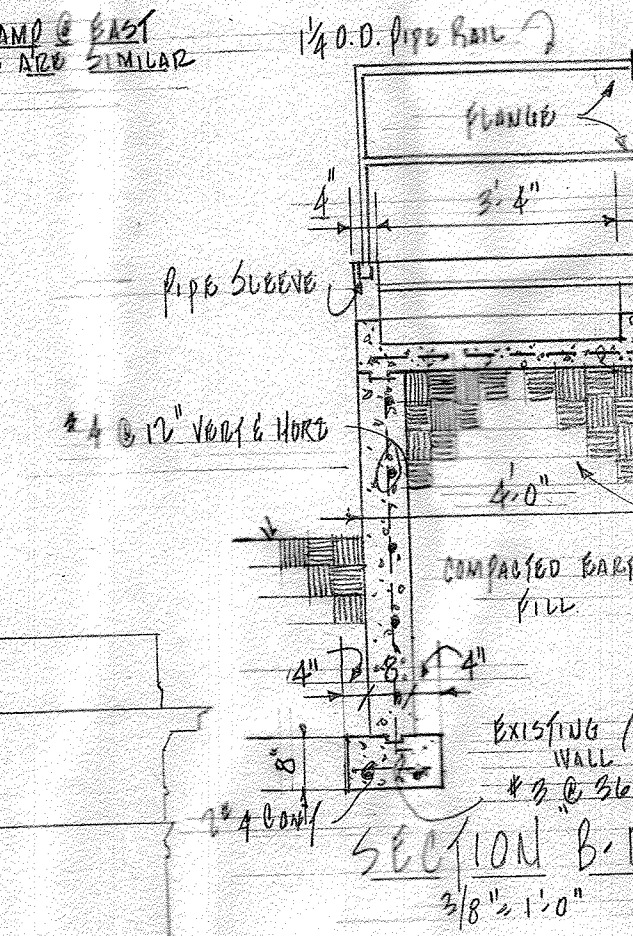


PLAN OF EXTERIOR FIRE EXIT RAMP
1/4" = 1'-0"
ALTERNATE 3-B

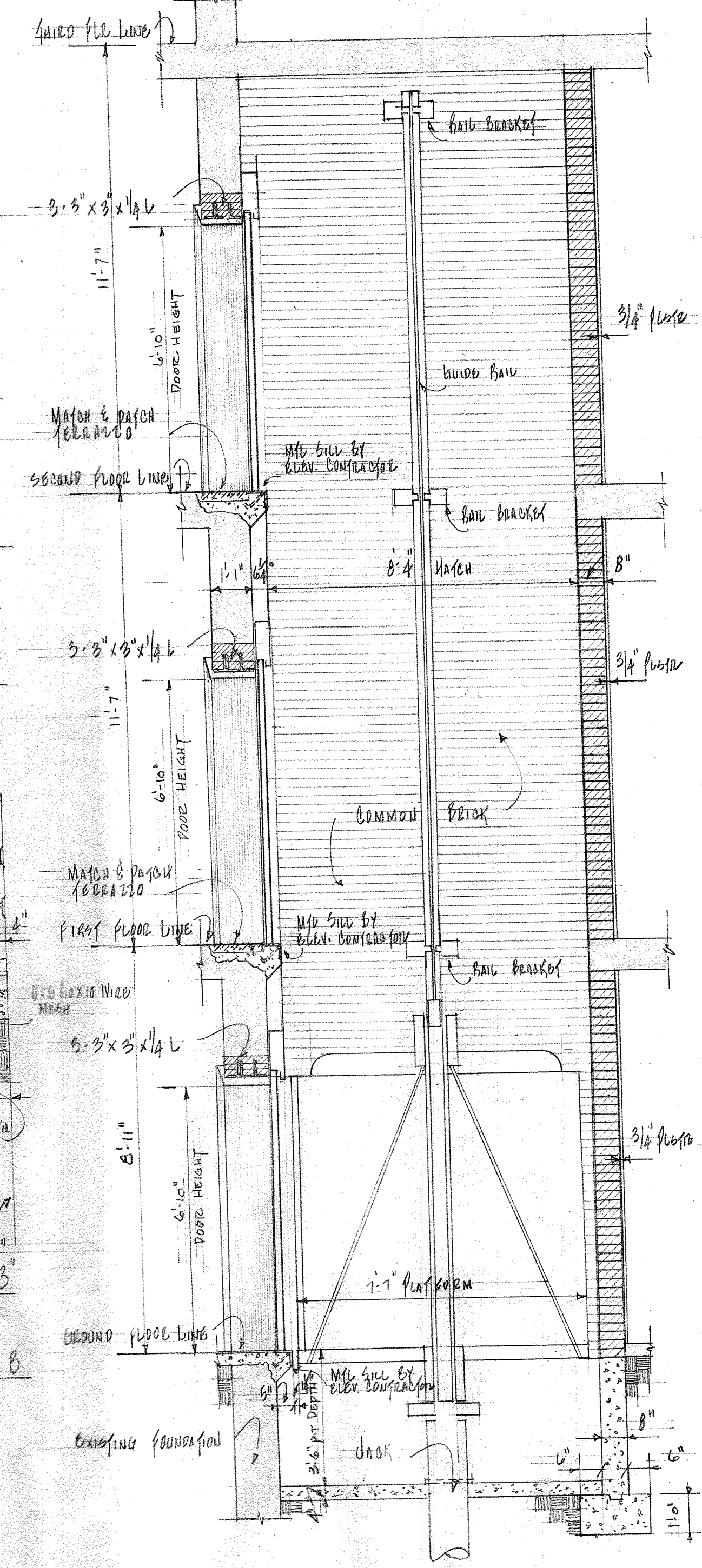


ELEVATION OF FIRE EXIT RAMP
3/8" = 1'-0"
ALTERNATE NO. 3B

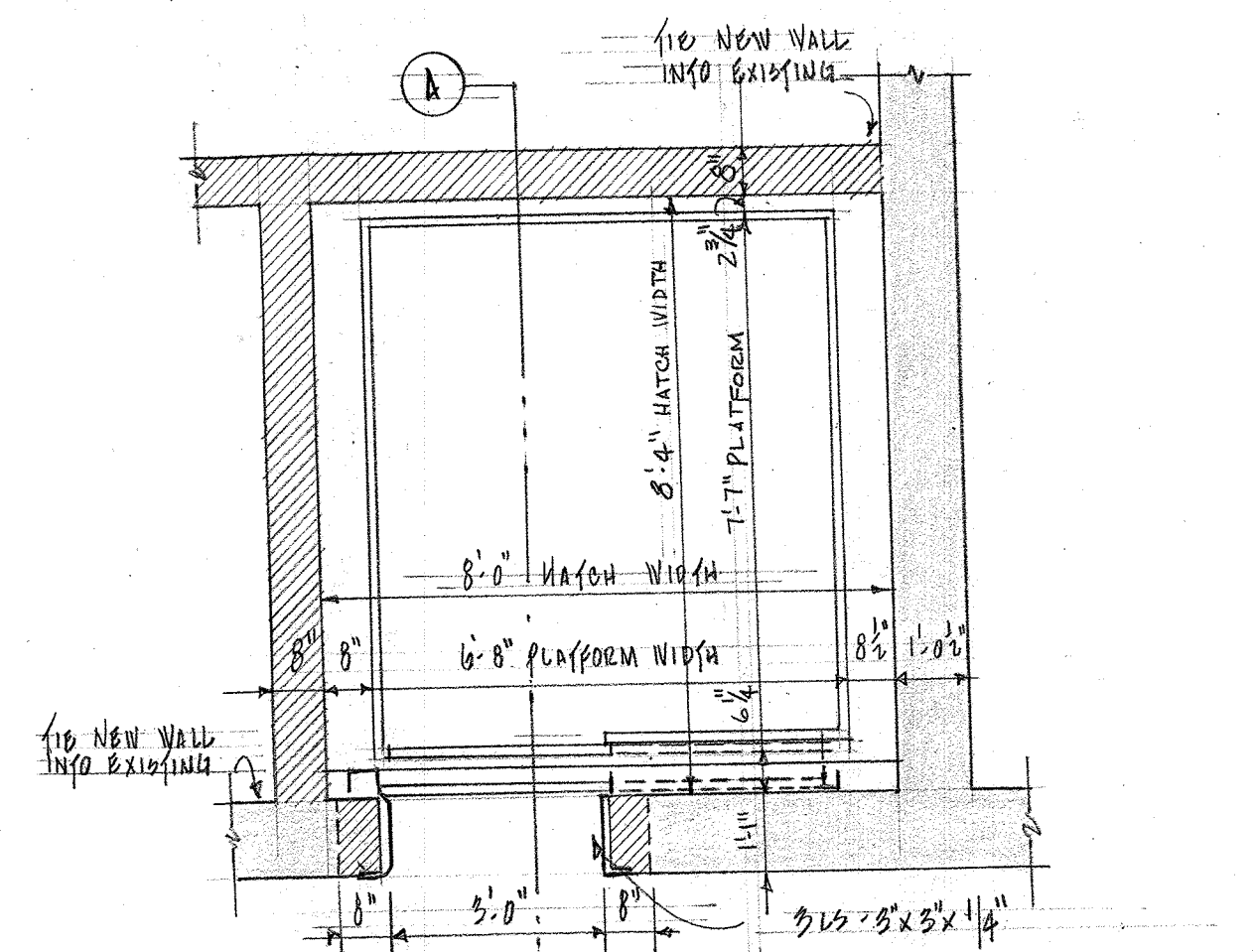
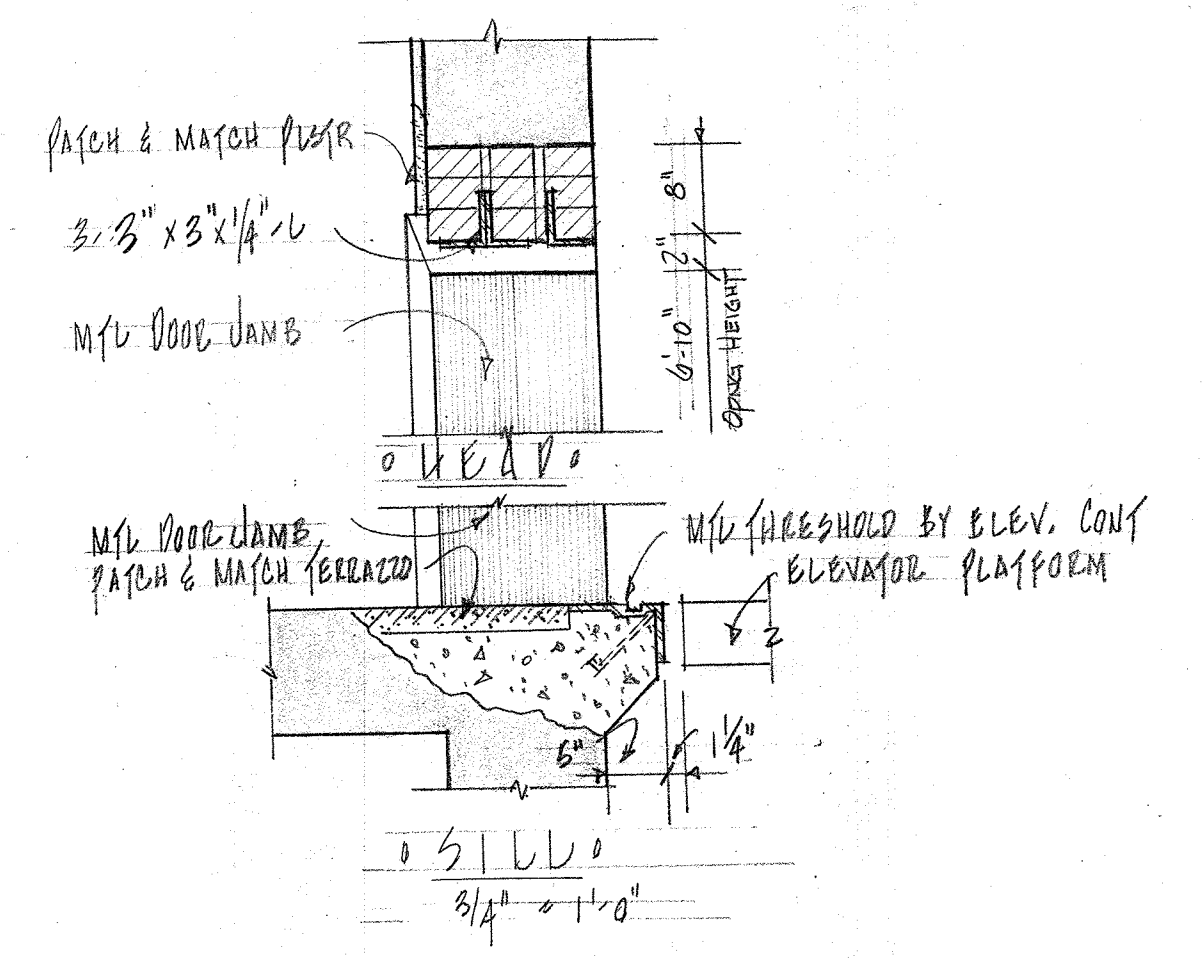
NOTE: FIRE EXIT RAMP @ EAST & WEST WINGS ARE SIMILAR.



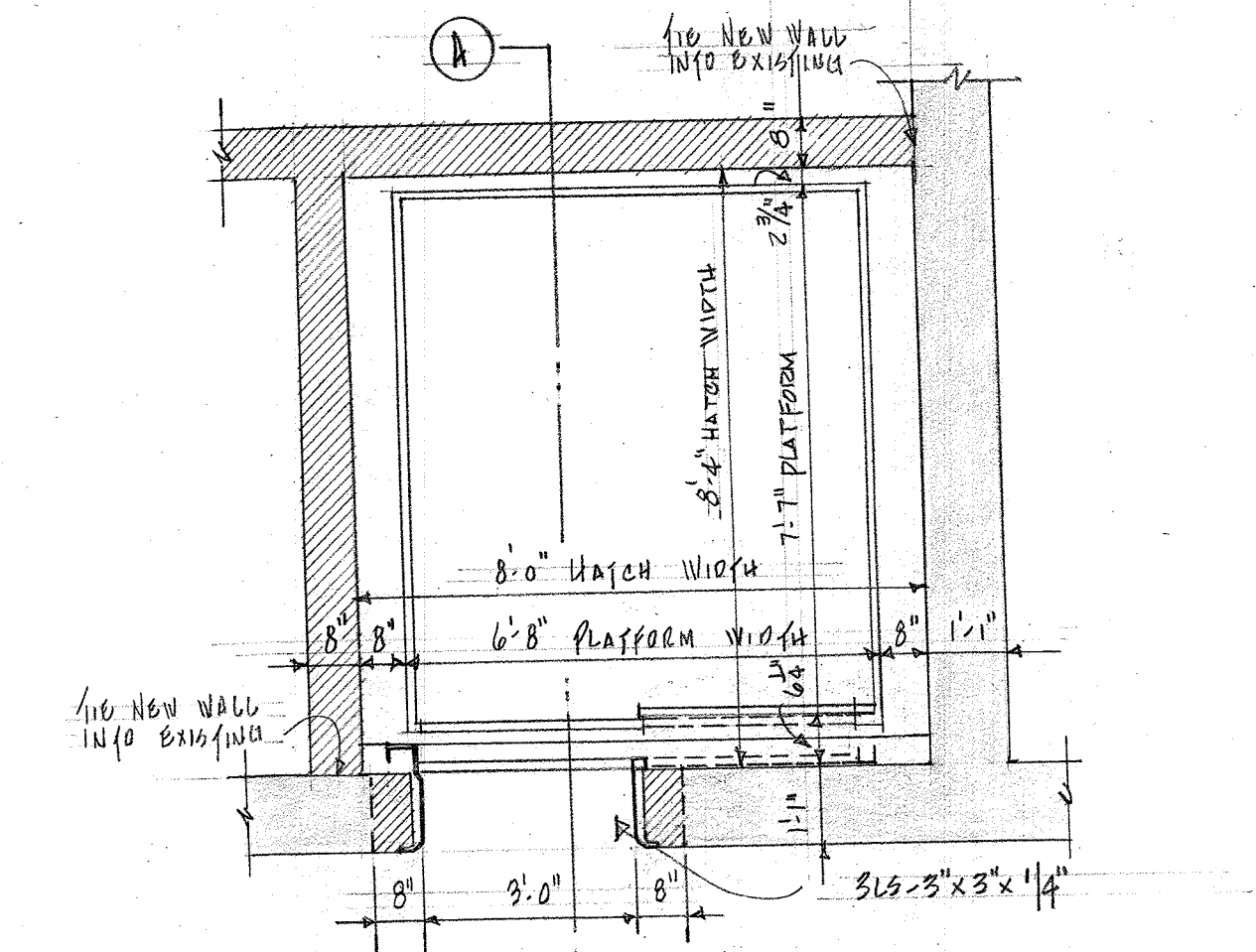
SECTION B-B
3/8" = 1'-0"
ALTERNATE 3-B



SECTION THRU HATCHWAY "A-A"
3/8" = 1'-0"

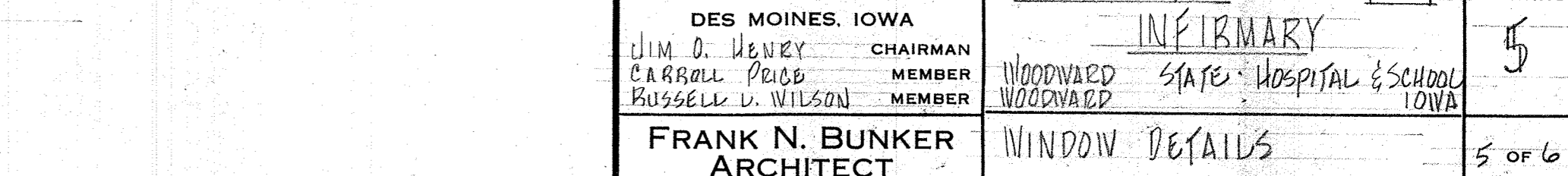
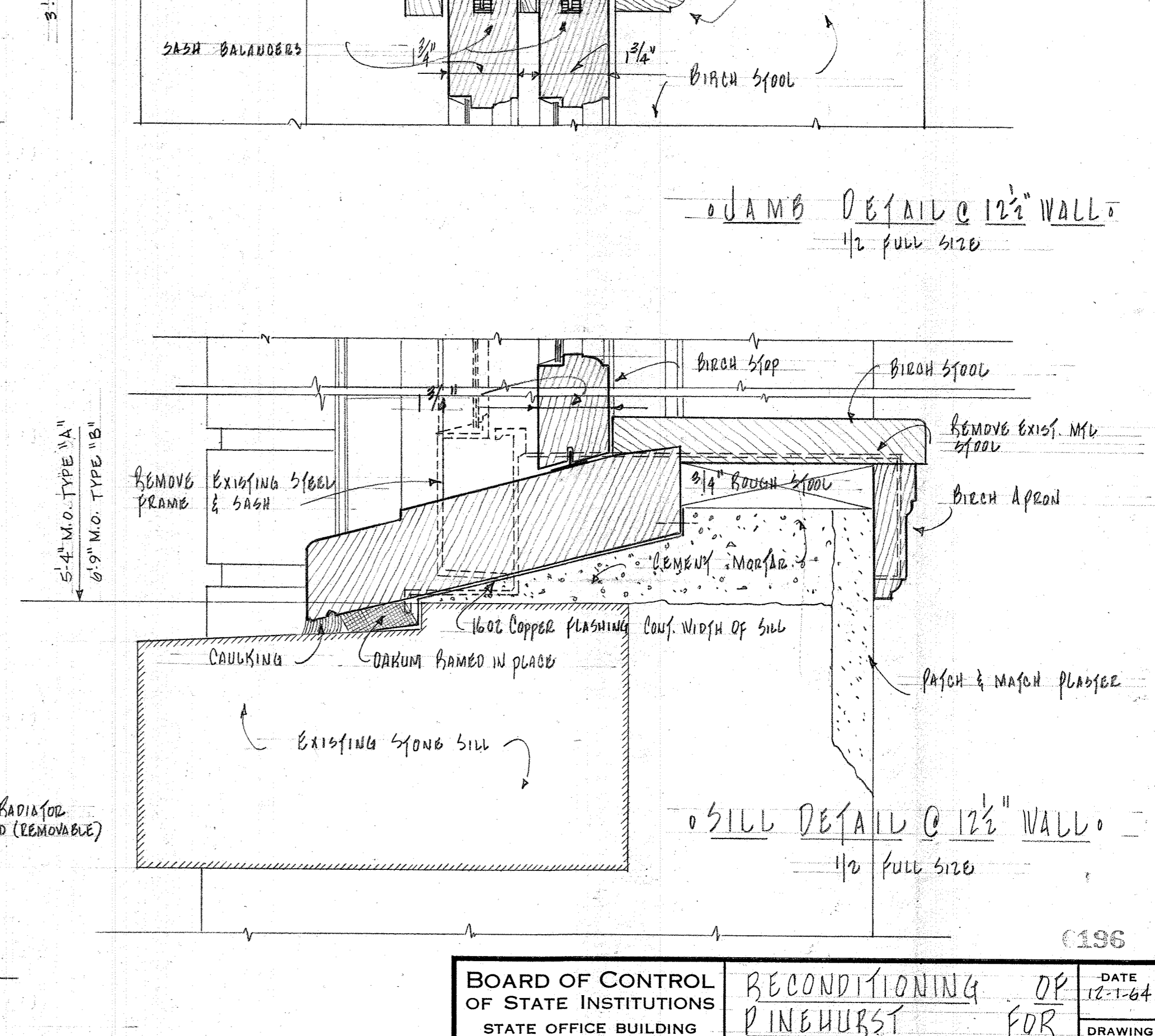
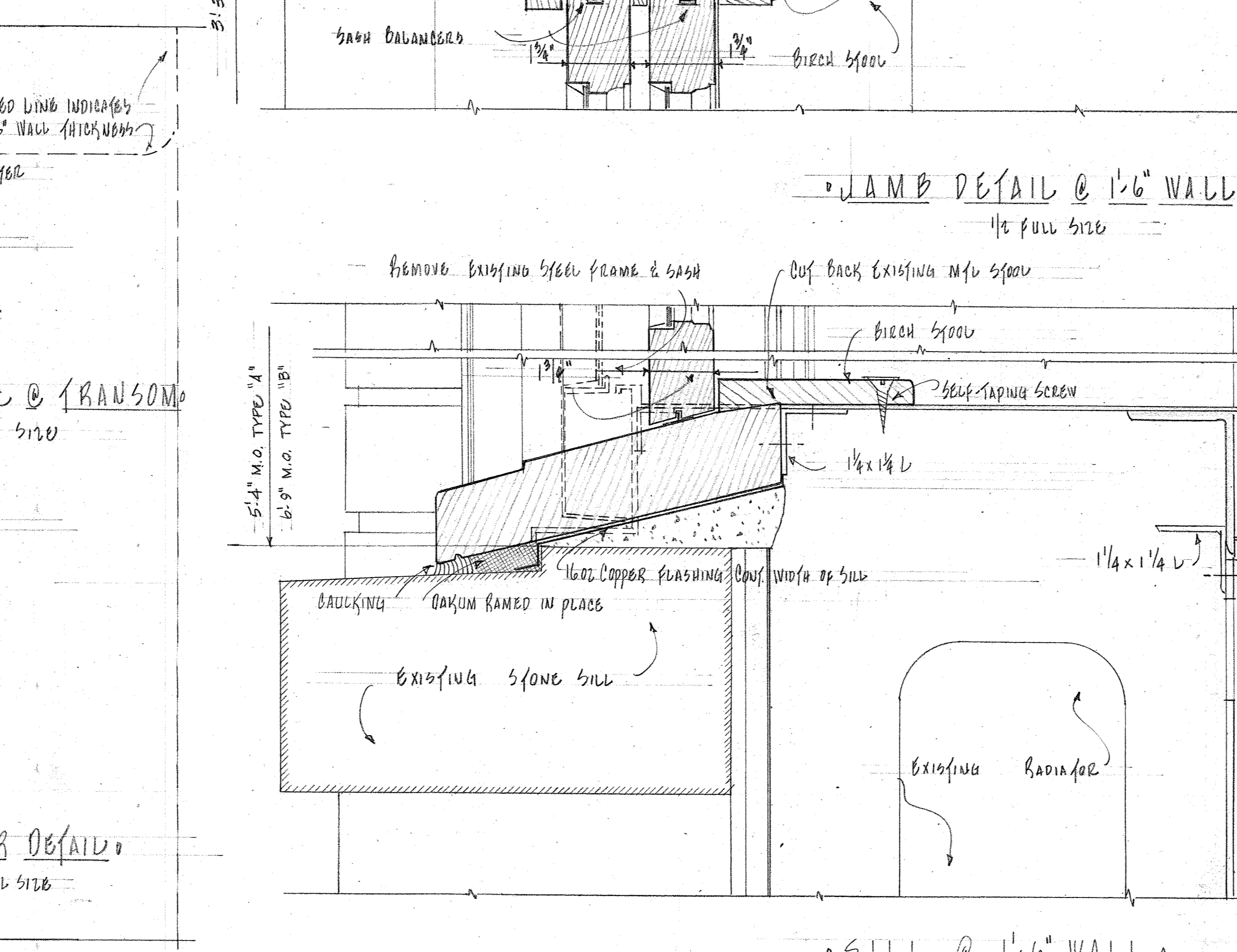
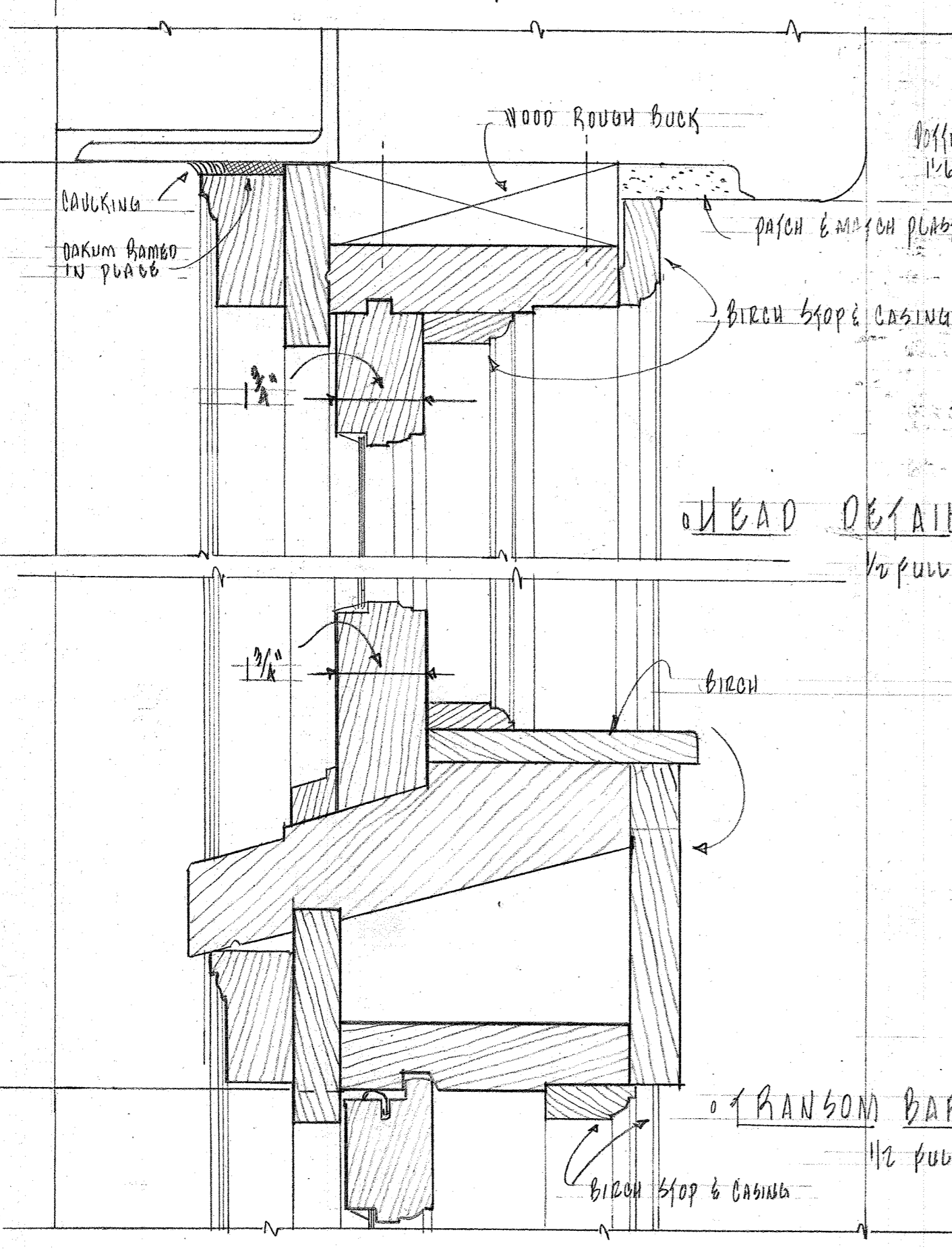
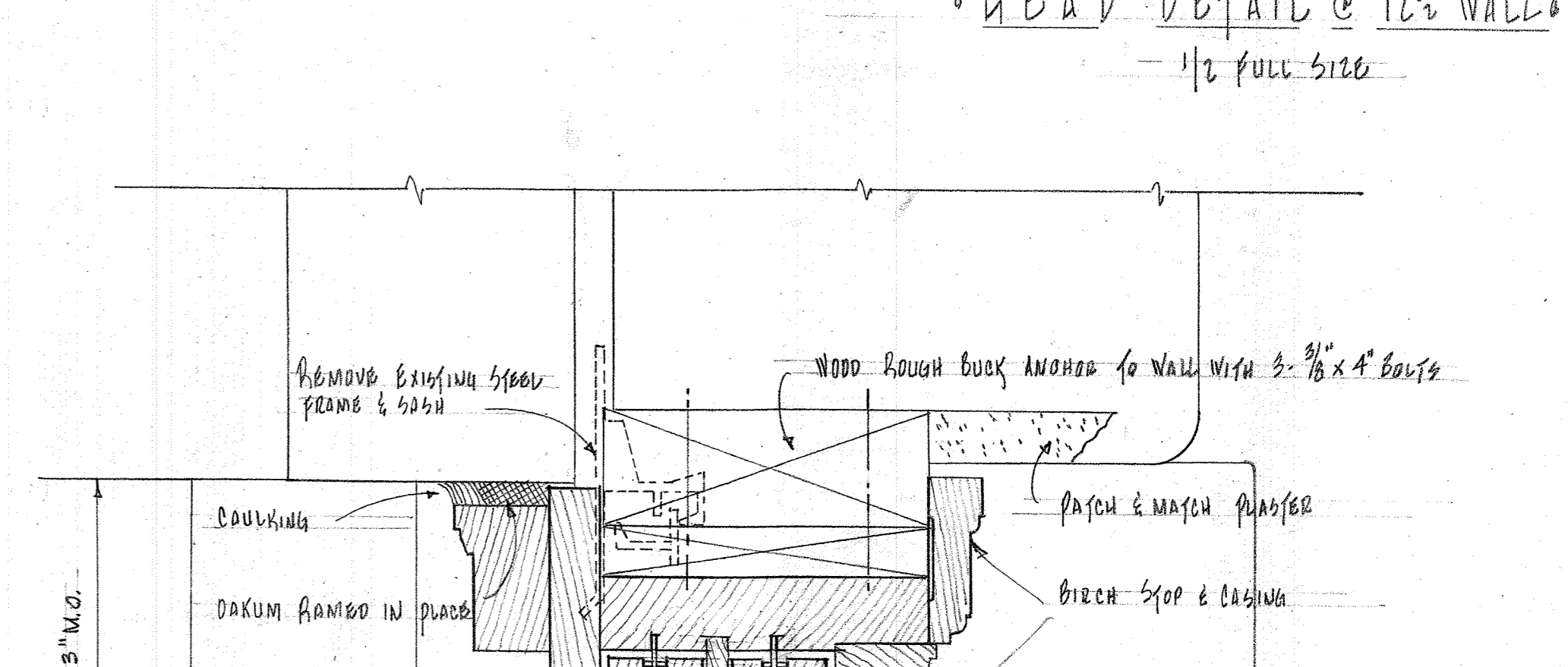
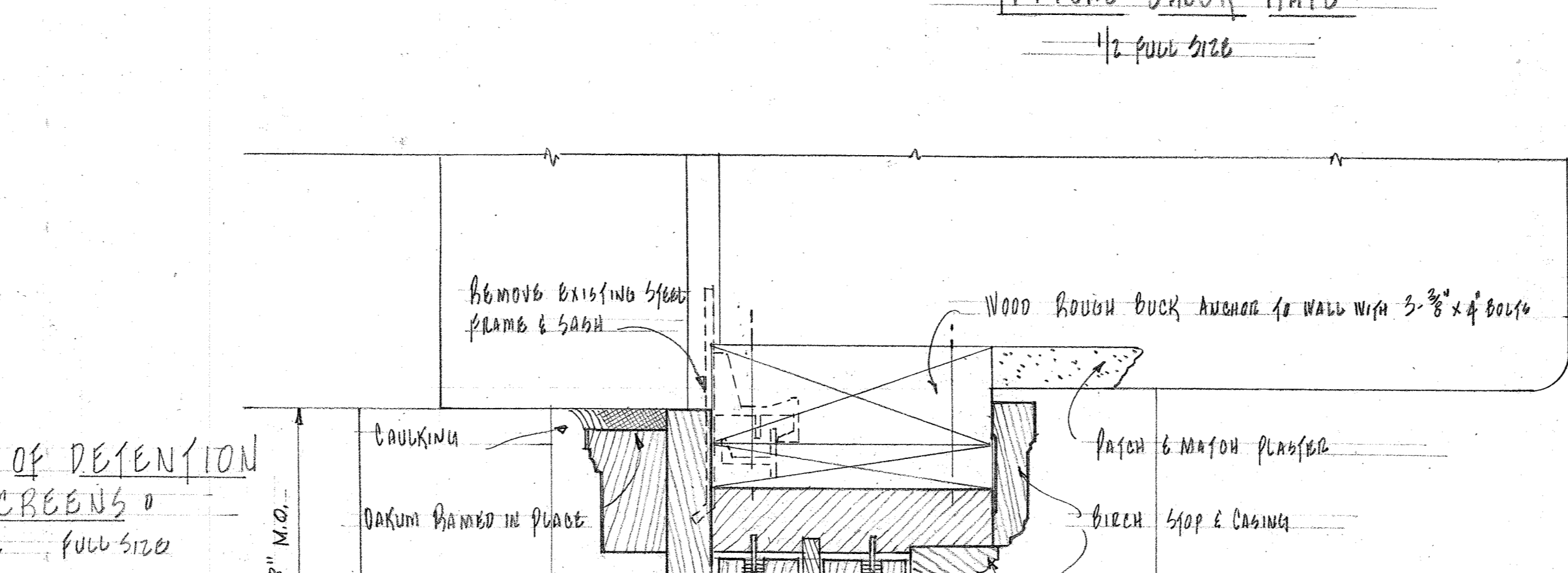
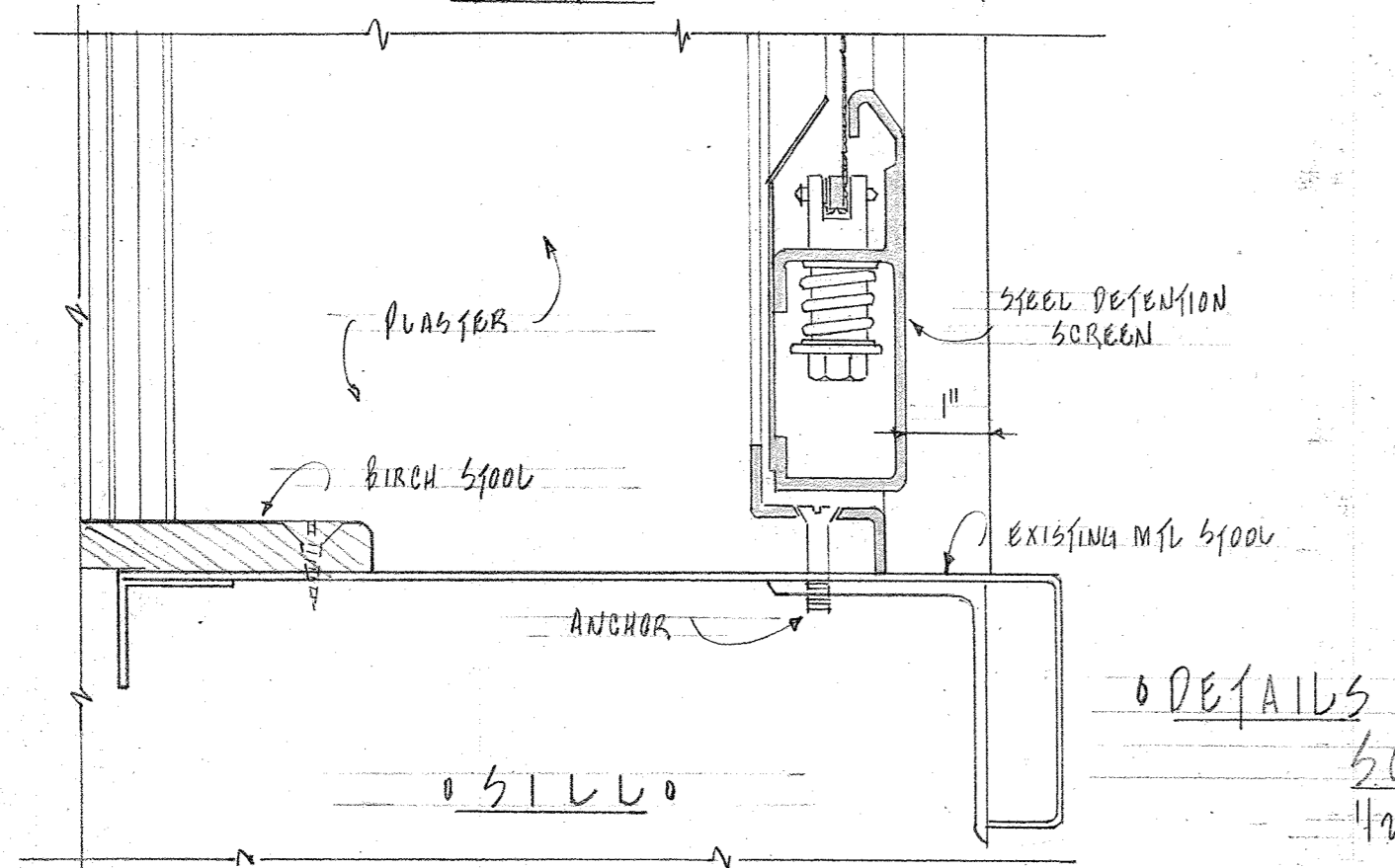
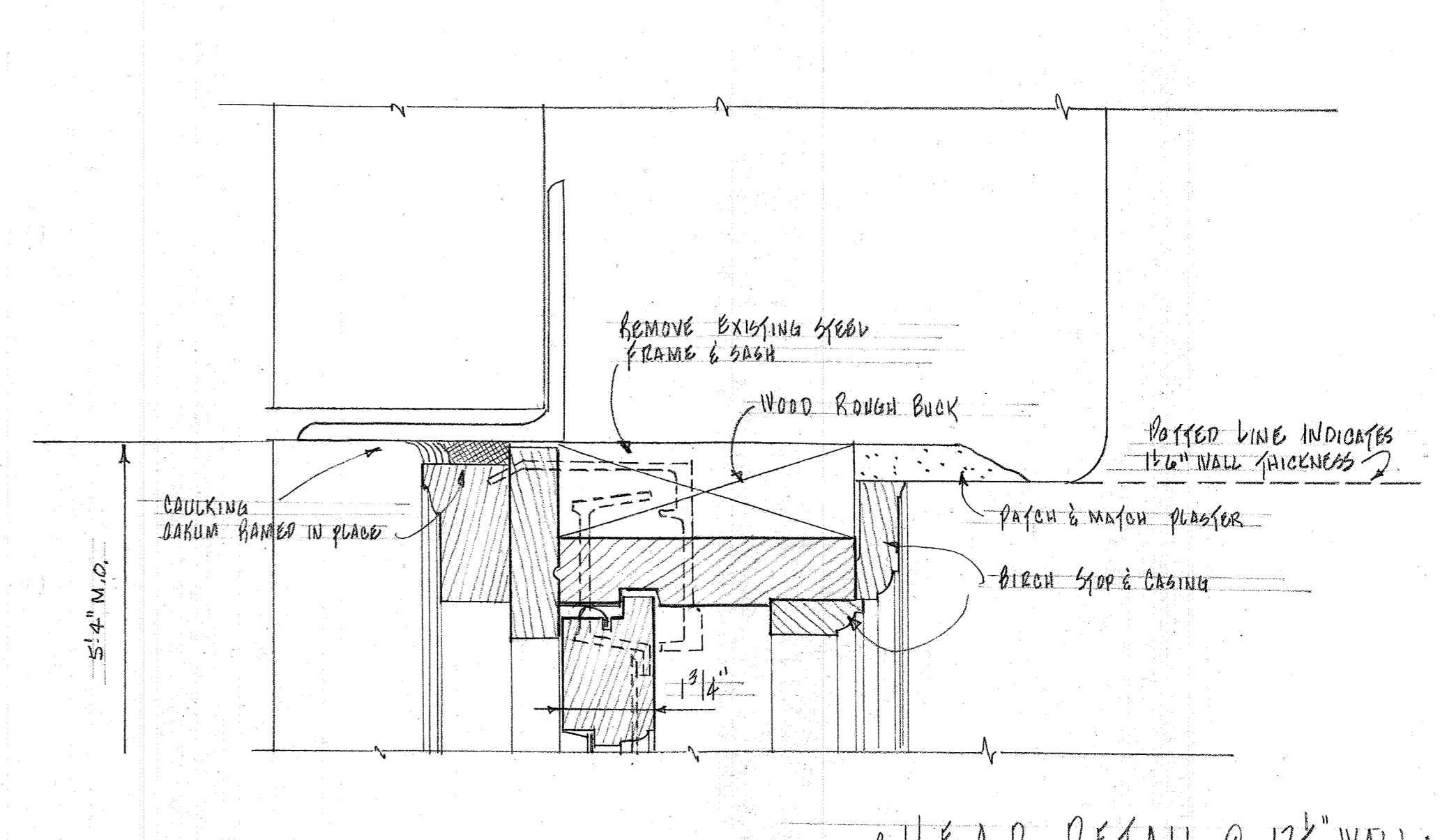
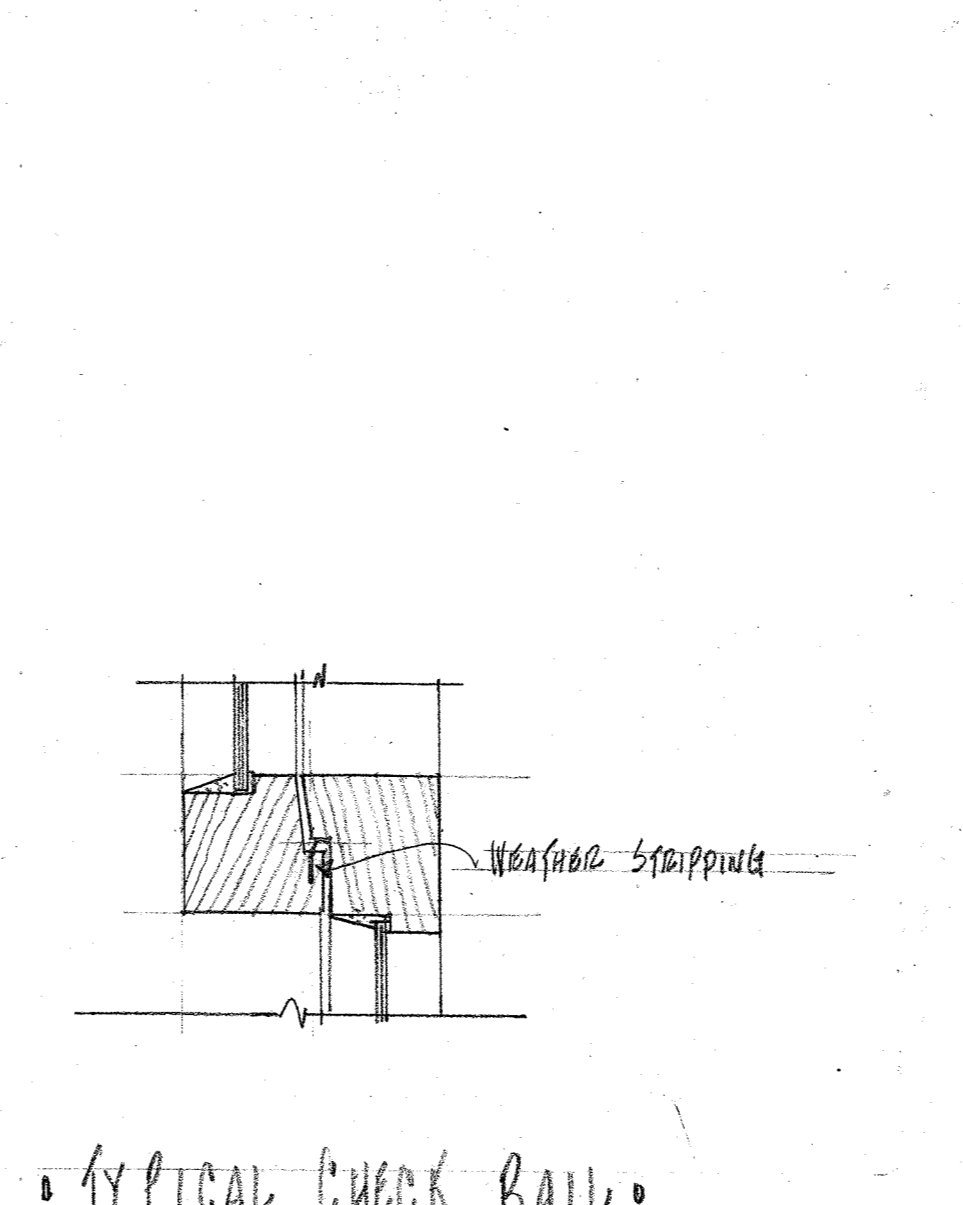
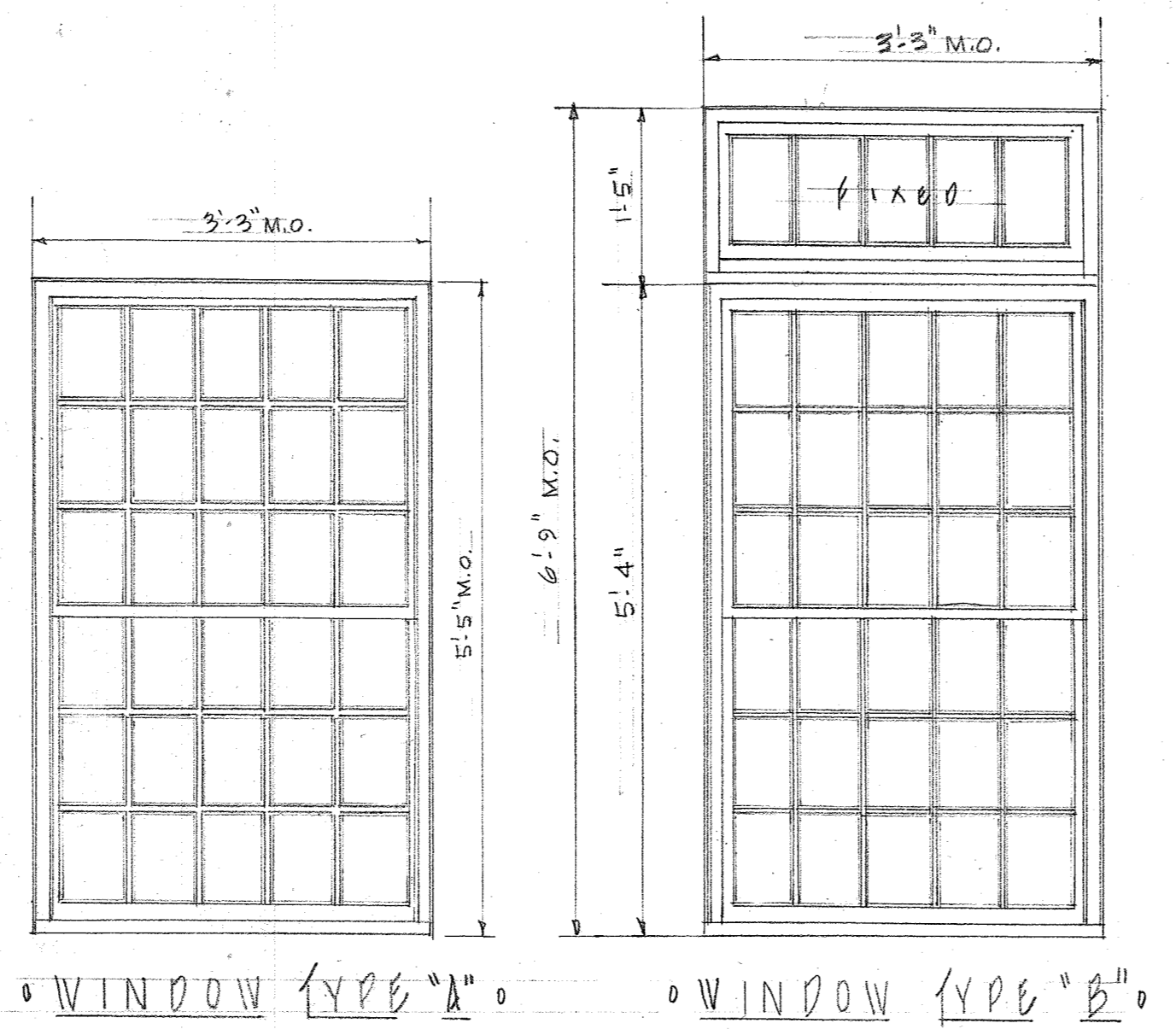
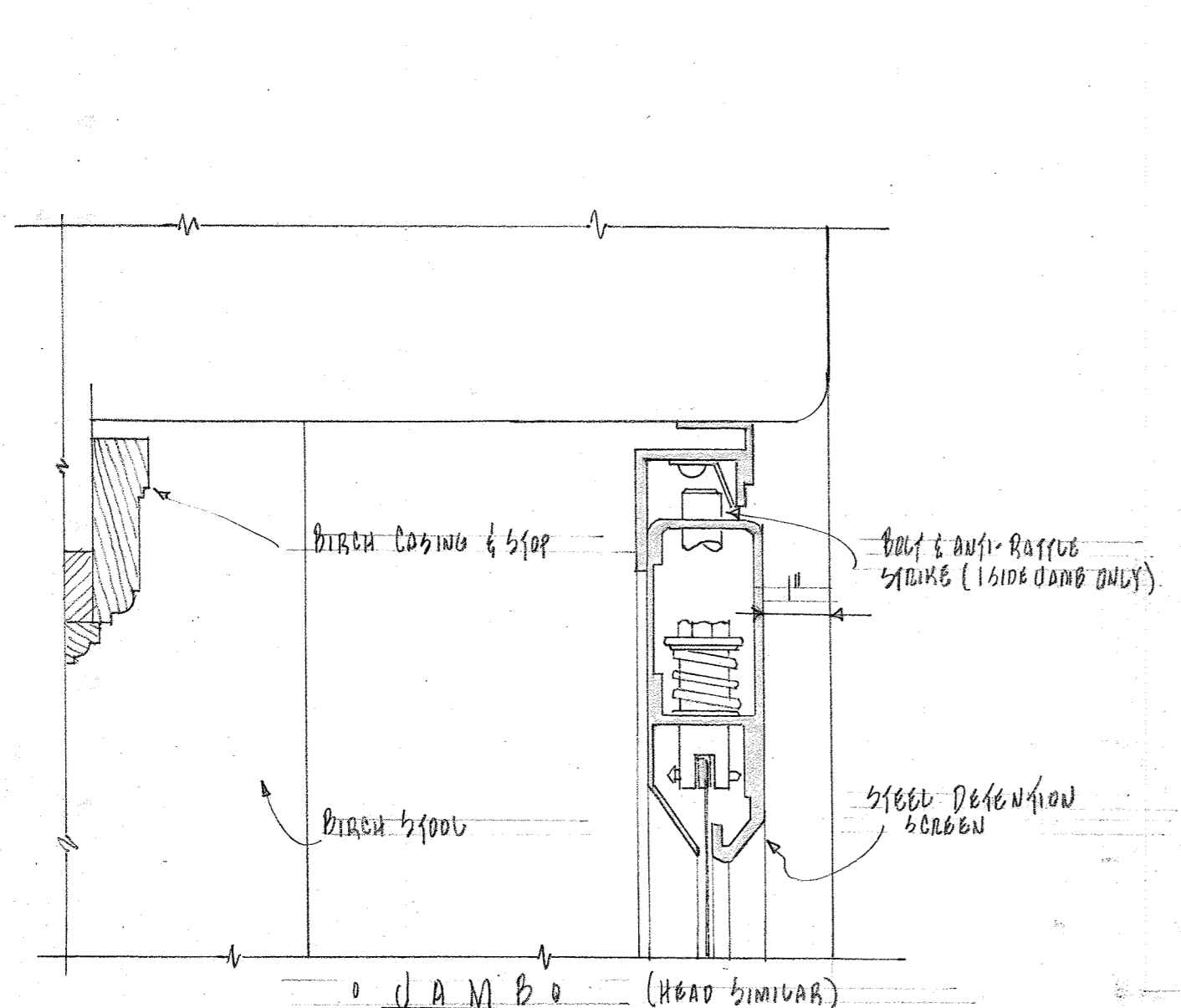


FIRST FLOOR PLAN
3/8" = 1'-0" (SECOND FLOOR SIMILAR)

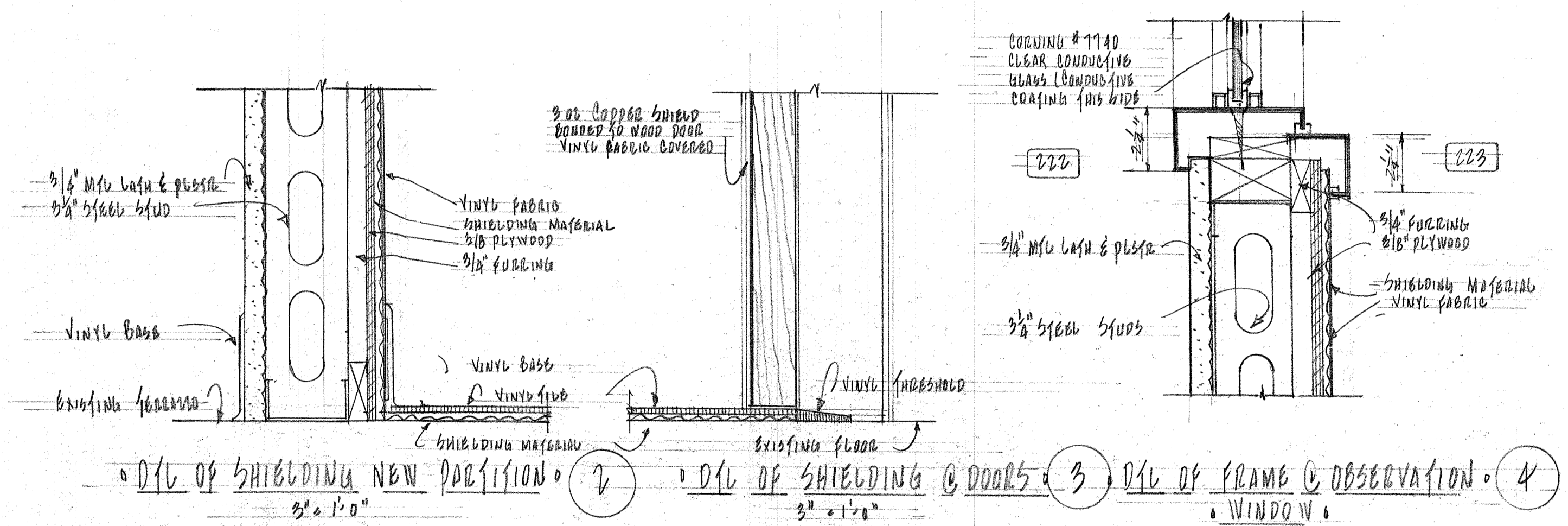


GROUND FLOOR PLAN
3/8" = 1'-0"

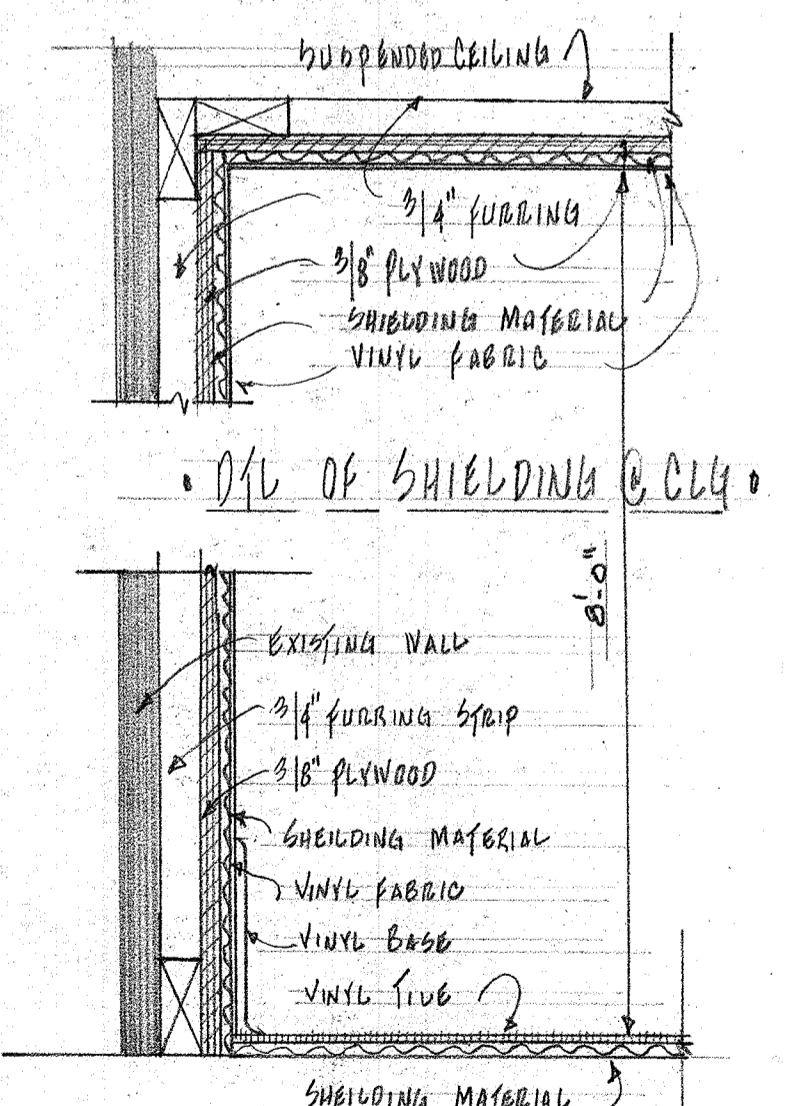
BOARD OF CONTROL OF STATE INSTITUTIONS STATE OFFICE BUILDING DES MOINES, IOWA	RECONDITIONING OF PINEHURST INFIRMARY	DATE 12-1-64
	FOR ELEVATOR DETAILS & FIRE EXITS	DRAWING 4
	JIM O. HENRY, CHAIRMAN CARROLL PEICE, MEMBER ROSSBREW & WILSON, MEMBER	WOODWARD STATE HOSPITAL & SCHOOL, IOWA
	FRANK N. BUNKER ARCHITECT	4 OF 6



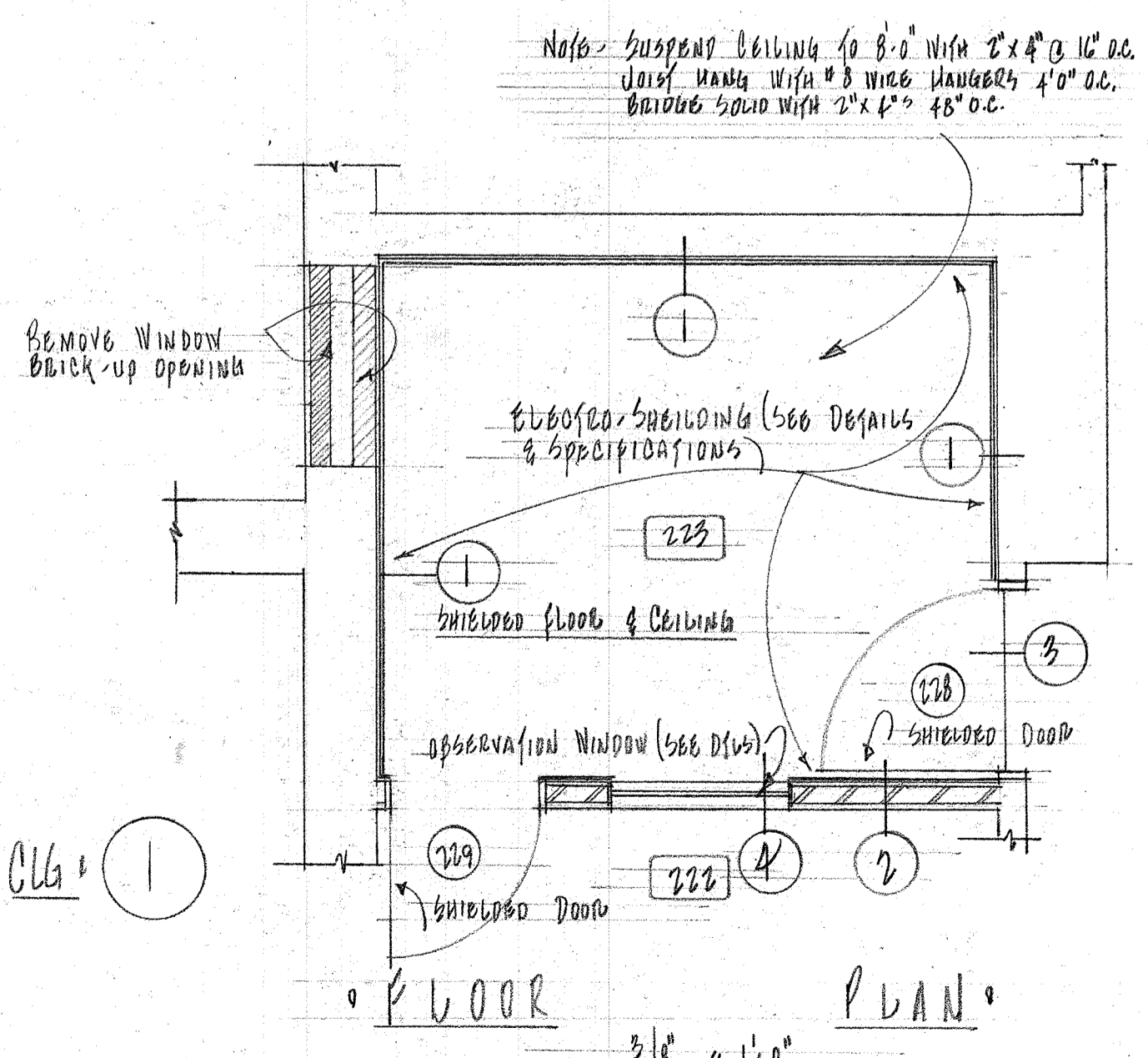
BOARD OF CONTROL OF STATE INSTITUTIONS		RECONDITIONING OF	DATE
STATE OFFICE BUILDING		PINEHURST	12-1-64
DES MOINES, IOWA		FOR	DRAWING
		INFIRMARY	5
JIM D. NEWBY	CHAIRMAN	WOODWARD	STATE HOSPITAL & SCHOOL IOWA
CARROLL PRICE	MEMBER	WOODWARD	
RUSSELL V. WILSON	MEMBER		
FRANK N. BUNKER ARCHITECT		WINDOW DETAILS	5 OF 6



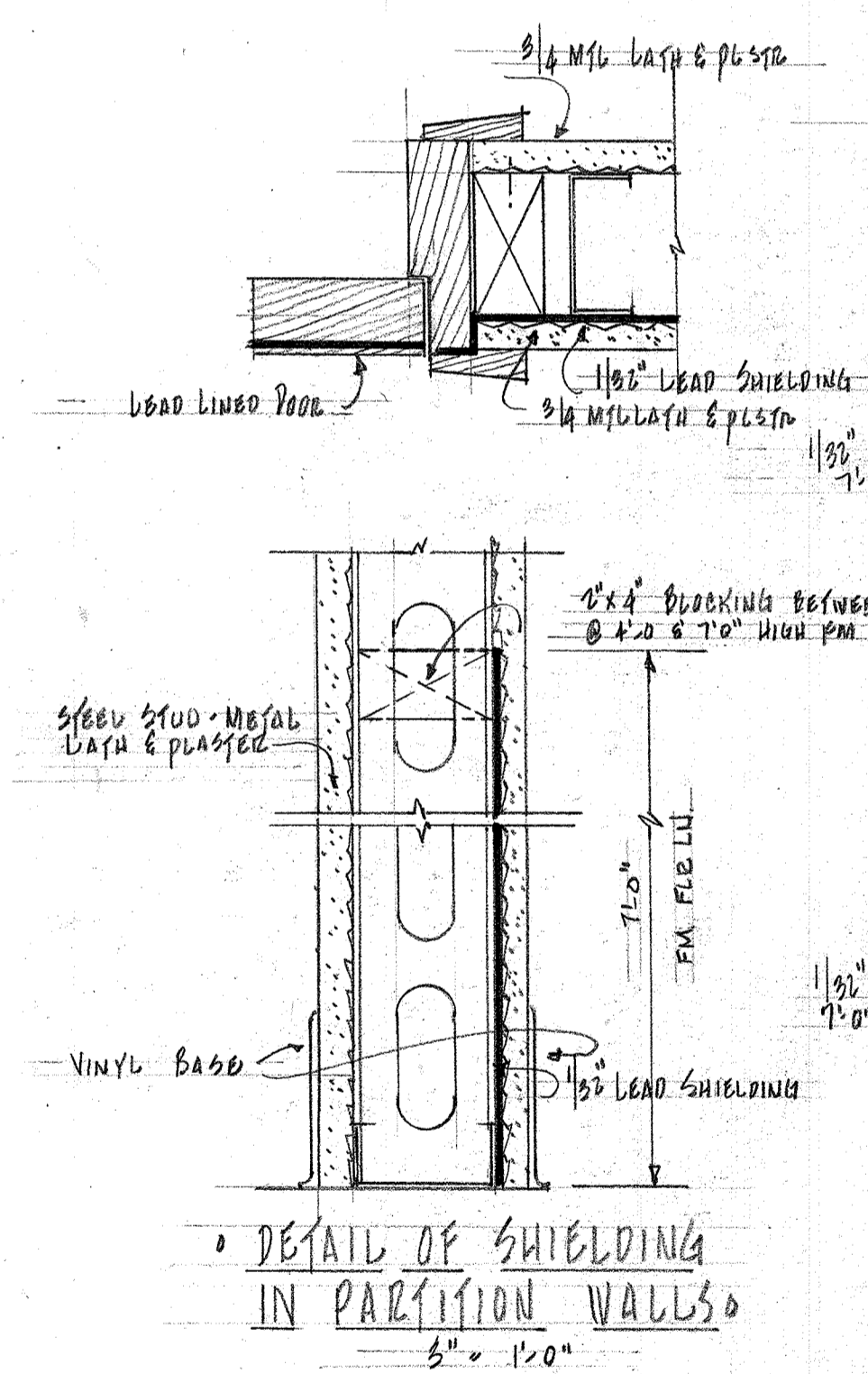
• DETAIL OF SHIELDING NEW PARTITION • 2
 • DETAIL OF SHIELDING @ DOORS • 3
 • DETAIL OF FRAME @ OBSERVATION • 4



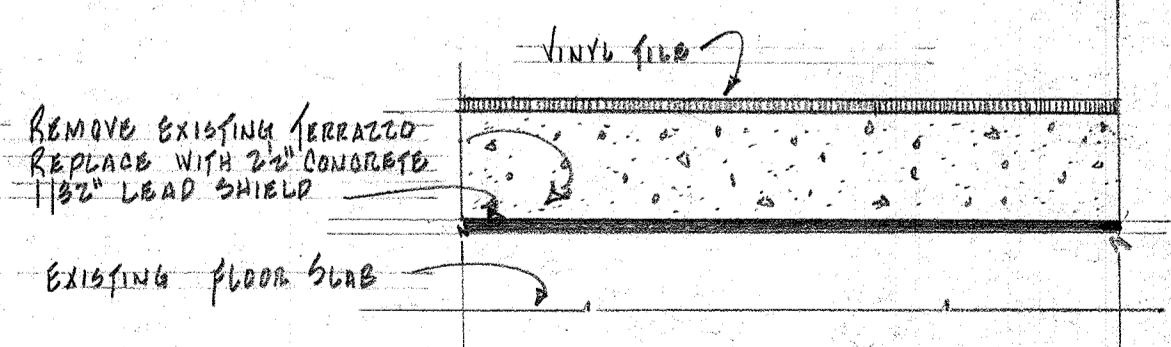
• DETAIL OF SHIELDING @ CLR •
 • CONDITIONS @ EXISTING CLR & CLR • 1



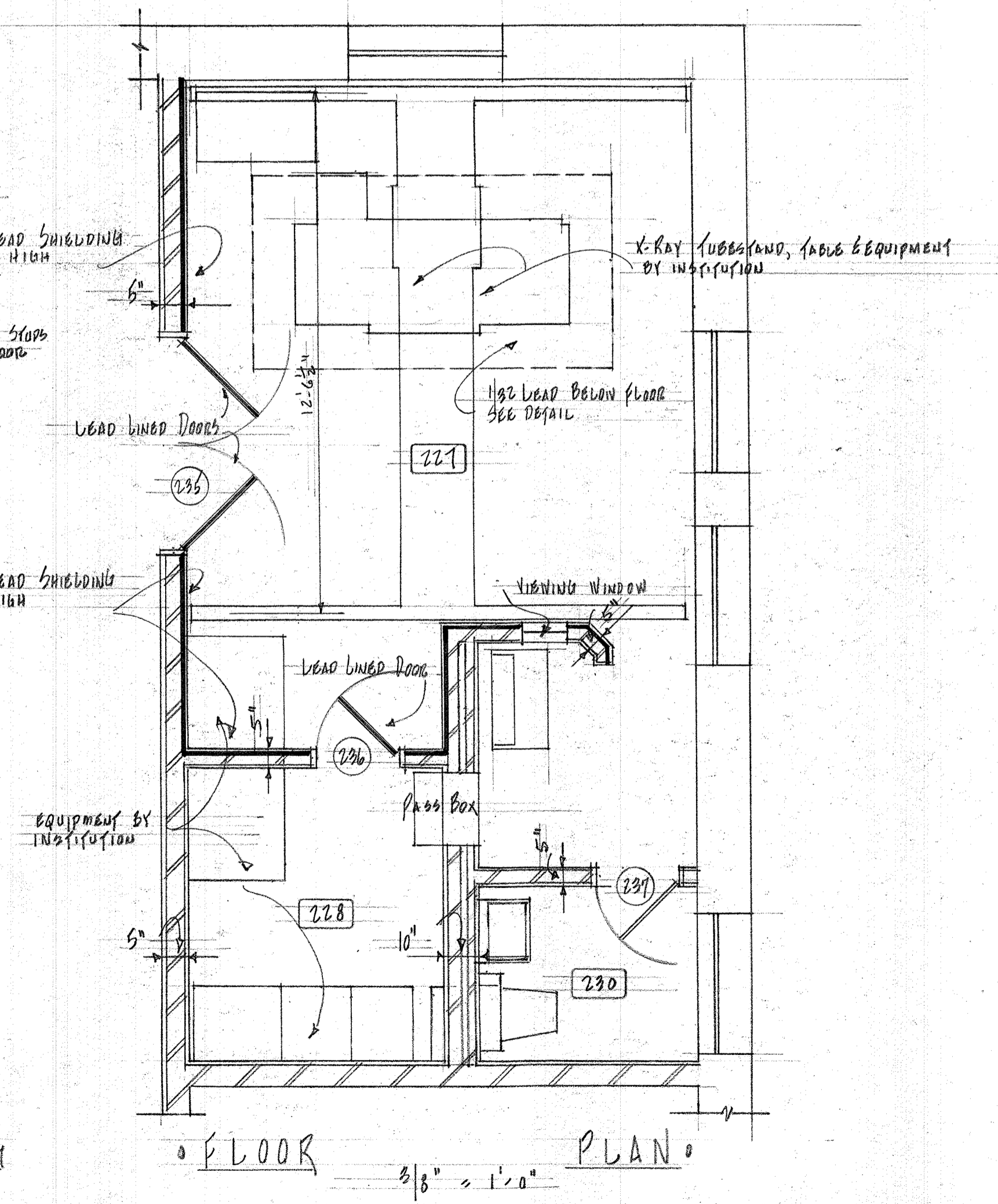
• DETAILS OF SHIELDING E.E.G. ROOM NO. 223 •



• DETAIL OF SHIELDING IN PARTITION WALLS •
 3\"/>



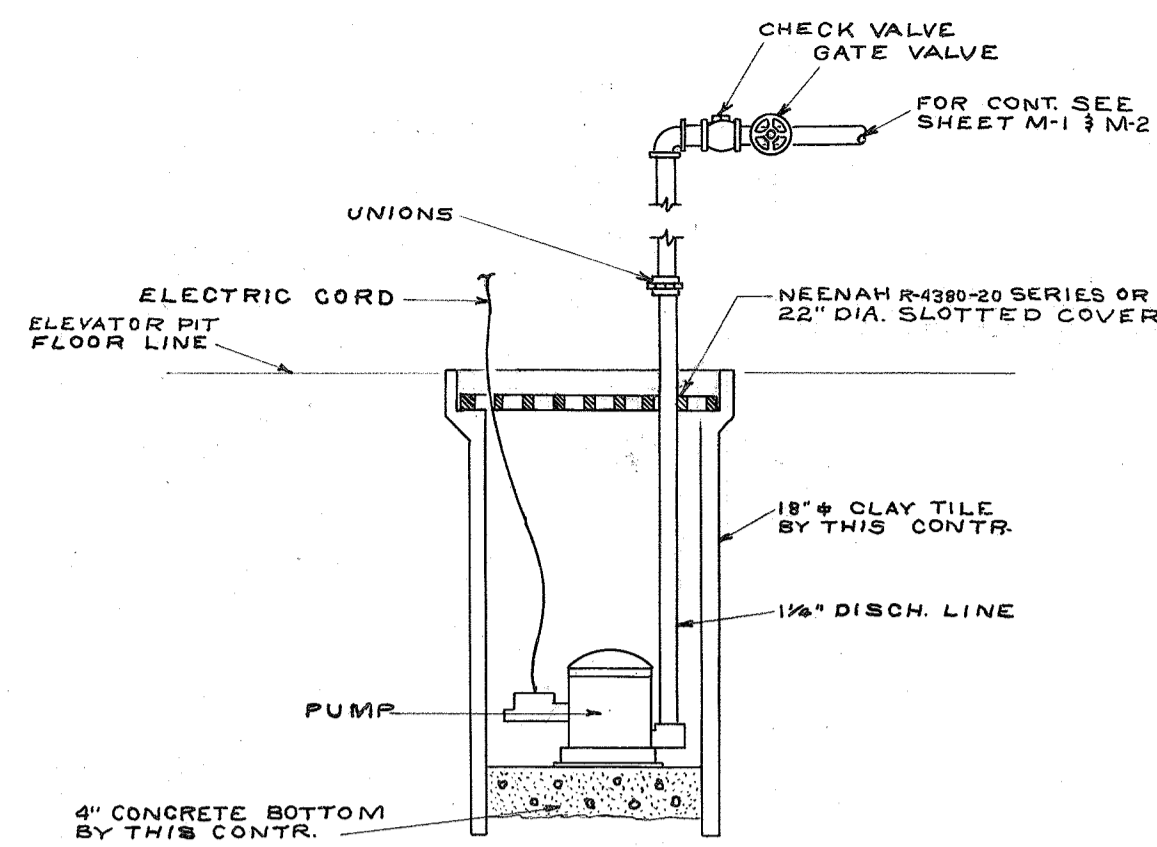
• DETAIL OF FLOOR SHIELDING UNDER RADIOGRAPHIC TABLE •
 3\"/>



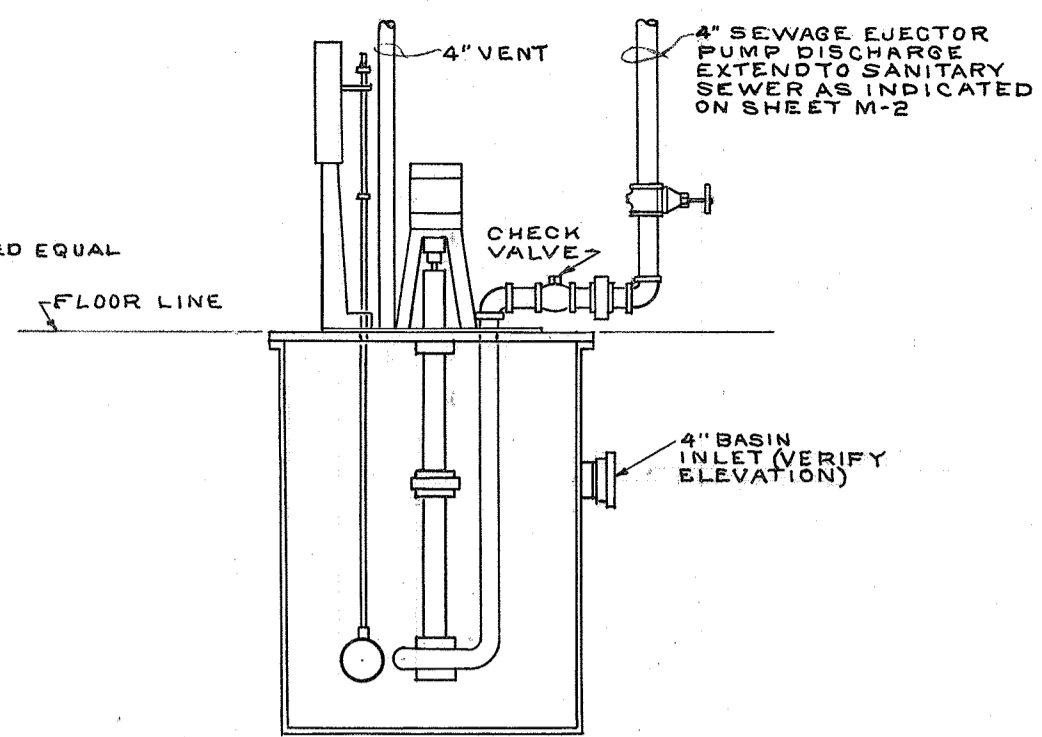
• FLOOR PLAN •
 13'8\"/>

BOARD OF CONTROL OF STATE INSTITUTIONS		RECONDITIONING OF	DATE
STATE OFFICE BUILDING DES MOINES, IOWA		PINEHURST	12-1-64
JIM O. HEURY CHAIRMAN		INFIRMARY	DRAWING
CARROLL PEISE MEMBER		WOODWARD STATE HOSPITAL & SCHOOL IOWA	6
RUSSELL L. WILSON MEMBER		WOODWARD	b of b
FRANK N. BUNKER ARCHITECT		SHIELDING DETAILS	

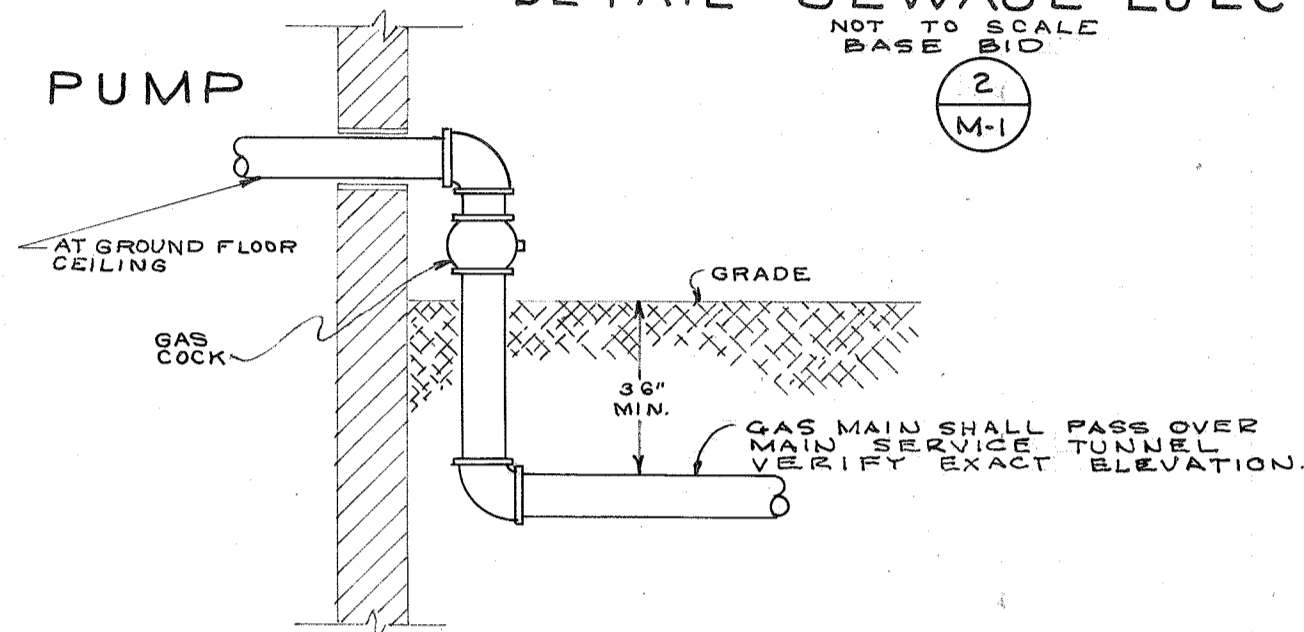
0199



DETAIL - SUMP PUMP
SCALE 3/4" = 1'-0"
BASE BID
M-1



DETAIL - SEWAGE EJECTOR
NOT TO SCALE
BASE BID
M-1

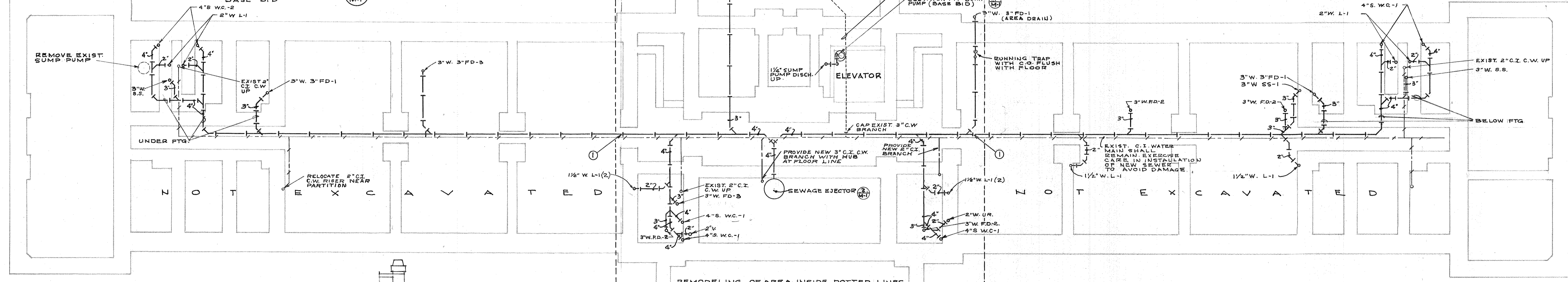


GAS ENTRANCE
NOT TO SCALE
BASE BID
M-1

MECHANICAL SYMBOLS

- SURFACE MOUNTED CONVECTOR OR CAB. UNIT
- HEATER AS NOTED
- CIRCULATING PUMP
- PD. POOL DRAIN
- DRIP ASSEMBLY SEE DETAIL
- FLEXIBLE CONNECTION
- INCLINED DROP OR RISE IN RESPECT TO AIR FLOW
- INDICATES DETAIL NO.
- INDICATES SHEET NO. WHERE DETAIL IS DRAWN
- DOUBLE HOSE BIBB.
- P. NOTE REFERENCE
- PIPING SHOWN WITH CROSSHATCHING INDICATES EXISTING PIPING OF PARTICULAR SYSTEMS IN CASE OF CHANGES AS ARE INDICATED AND/OR SPECIFIED.
- PARTITIONS & WALLS SHOWN CROSSHATCHED ARE NEW CONSTRUCTION BY GEN. CONTR.
- STEAM L.P.G.
- RETURN L.P.R.
- H-60 HIGH PRESSURE STEAM - NUMBERS GIVE GAGE PRESSURE IN P.S.I. H.P.R.
- H-50 HIGH PRESSURE RETURN - NUMBERS GIVE GAGE PRESSURE IN P.S.I. H.P.R.
- R.L. REFRIGERANT LIQUID
- R.S. REFRIGERANT SUCTION
- A. COMPRESSED AIR
- C.W. COLD WATER C.W.
- D.H.W. DOMESTIC HOT WATER H.W.
- RECIRCULATING DO ESTIC HOT WATER R.H.W.
- S-SOIL W-WASTE SOIL OR WASTE ABOVE GRADE OR FLOOR
- S-SOIL W-WASTE ACID RESISTING WASTE
- S-SOIL W-WASTE SOIL OR WASTE BELOW GRADE OR FLOOR
- S-SOIL W-WASTE STORM ABOVE GRADE OR FLOOR
- S-SOIL W-WASTE STORM BELOW GRADE OR FLOOR
- V. PLUMBING VENT V-VENT V.T.R. - VENT THRU ROOF
- A.V. ACID RESISTING VENT
- C.D. CONDENSATION DRAIN
- U. UNION
- S.A. SHOCK ABSORBER
- G.V. GATE VALVE
- G.V. GLOBE VALVE
- A.V. AUTOMATIC VALVE
- C. COCK
- C.V. CHECK VALVE
- S. STRAINER
- E.R. ECCENTRIC REDUCER
- PITCH DOWN IN DIRECTION OF ARROW
- T.T. THERMOSTATIC TRAP

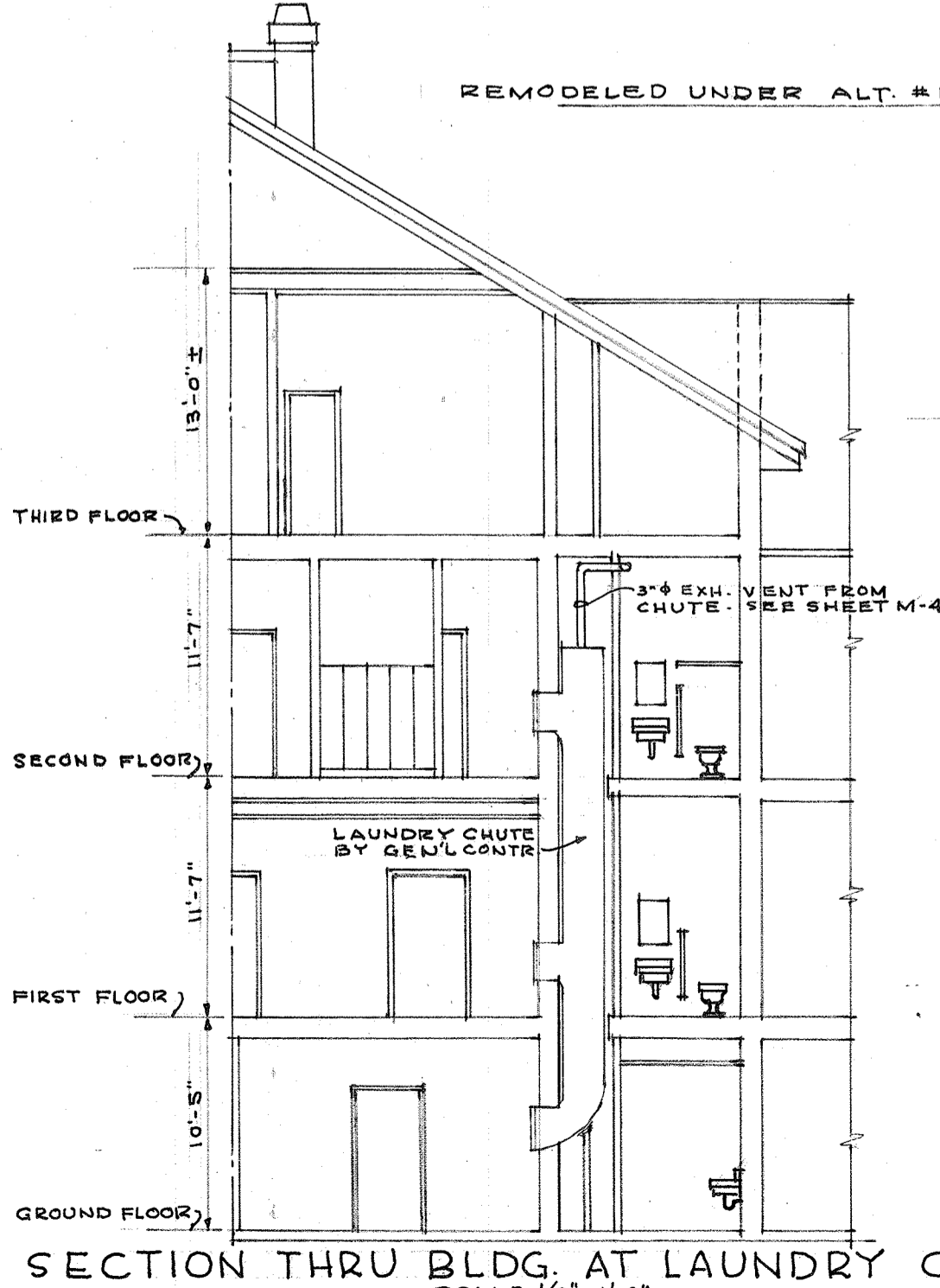
GENERAL NOTES:
THE PRESENT HEATING SYSTEM IN THE EXISTING BLDG. SHALL REMAIN WITH SUCH CHANGES AS ARE INDICATED AND/OR SPECIFIED.
OPENINGS CUT IN EXISTING STRUCTURE FOR NEW PIPING SHALL BE CAREFULLY CUT WITH CORE DRILLS.



FOUNDATION PLAN
SCALE 1/8" = 1'-0"

NOTE: PORTION OF REMODELING INDICATED ON THIS DRAWING INSIDE THE DOTTED LINES IS TO BE PROVIDED UNDER THE BASE BID. REMODELING IN THE EAST & WEST WINGS INDICATED ON THIS DRAWING IS TO BE PROVIDED UNDER ALTERNATE NO. 1. REFER TO DESCRIPTION OF ALTERNATES IN THE SPECIFICATIONS.

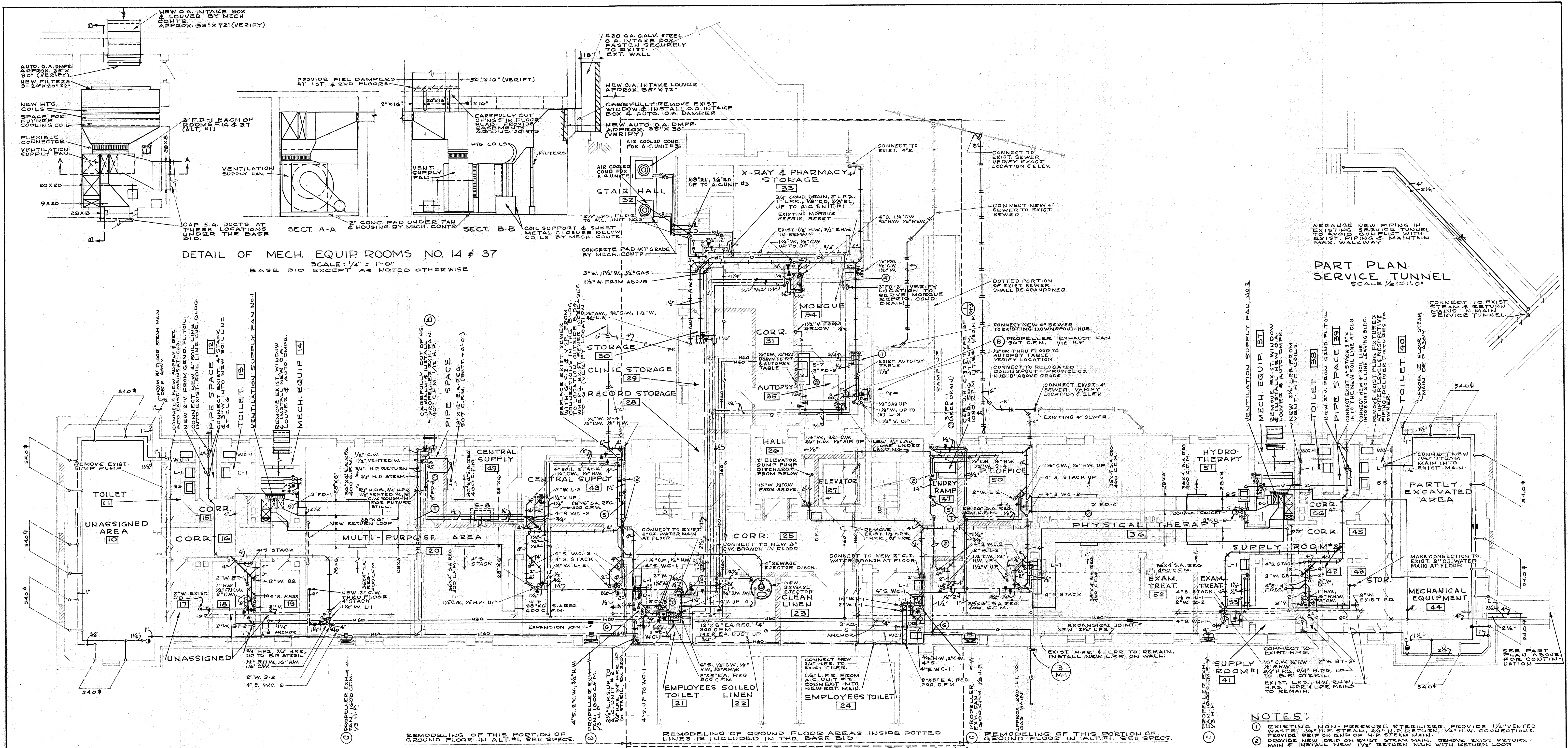
NOTES:
① NEW UNDERGROUND SEWER FROM NEW SEWAGE EJECTOR SHALL BE TERMINATED AT THESE LOCATIONS UNDER THE BASE BID WITH PLUGGED OPENINGS AT PROPER ELEVATIONS TO PERMIT FUTURE INSTALLATION OF NEW UNDERGROUND SEWERS IN EAST & WEST WINGS.



SECTION THRU BLDG. AT LAUNDRY CHUTE
SCALE 1/8" = 1'-0"

BOARD OF CONTROL OF STATE INSTITUTIONS STATE OFFICE BUILDING DES MOINES, IOWA JIM D HENRY CHAIRMAN CARROL PRICE MEMBER RUSSEL L WILSON MEMBER	RECONDITIONING OF PINEHURST FOR INFIRMARY	DATE 12-1-64
	WOODWARD STATE HOSPITAL & SCHOOL WOODWARD, IOWA	DRAWING
FRANK N. BUNKER ARCHITECT	FOUNDATION PLAN MECHANICAL	M-1 OF 5 SHEETS

FRANK PULLEY ASSOCIATES
CONSULTING ENGINEERS
200 WEST 11TH ST. DES MOINES, IOWA 50319

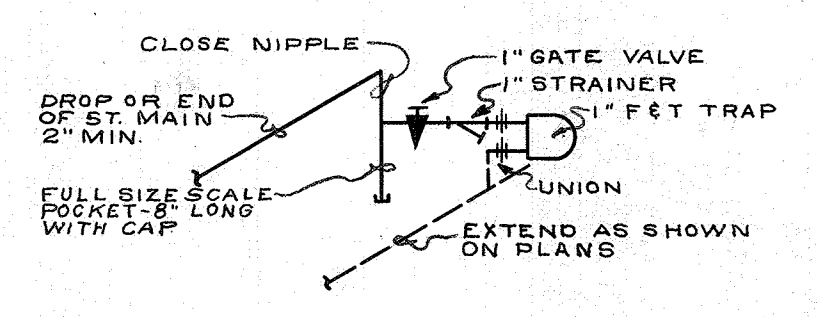


DETAIL OF MECH. EQUIP ROOMS NO. 14 & 37
SCALE: 1/4" = 1'-0"
BASE BID EXCEPT AS NOTED OTHERWISE

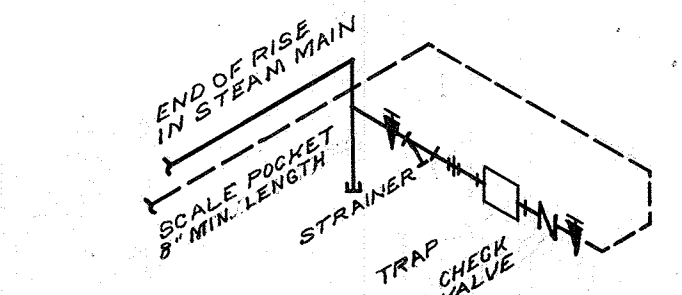
PART PLAN SERVICE TUNNEL
SCALE: 1/8" = 1'-0"

GROUND FLOOR PLAN
SCALE: 1/8" = 1'-0"

- NOTES:**
- EXISTING NON-PRESSURE STERILIZER. PROVIDE 1/2" VENTED WATER, 3/4" H.P. STEAM, 3/4" H.P. RETURN, 1/2" H.W. CONNECTIONS. PROVIDE NEW DRIP ON EXIST. STEAM MAIN. REMOVE EXIST. RETURN MAIN & INSTALL NEW 1/2" RETURN MAIN WITH RETURN LOOP.
 - EXIST. L.P. H.W. R.H.W. H.P. 4" H.P. UP TO LAUNDRY CHUTE SPRAY. 1/2" C.W. UP TO FIRE PROTECTION SPRAY HEAD IN TOP OF CHUTE.
 - 3/4" COND. DRAIN FROM A.C. UNIT #1 TO DISCHARGE OVER R.D.
 - CONNECT EXIST. RETURN RISER INTO NEW RETURN MAIN.
 - CONNECT NEW RETURN MAIN INTO EXIST. RETURN MAIN AT SOUTH WALL.



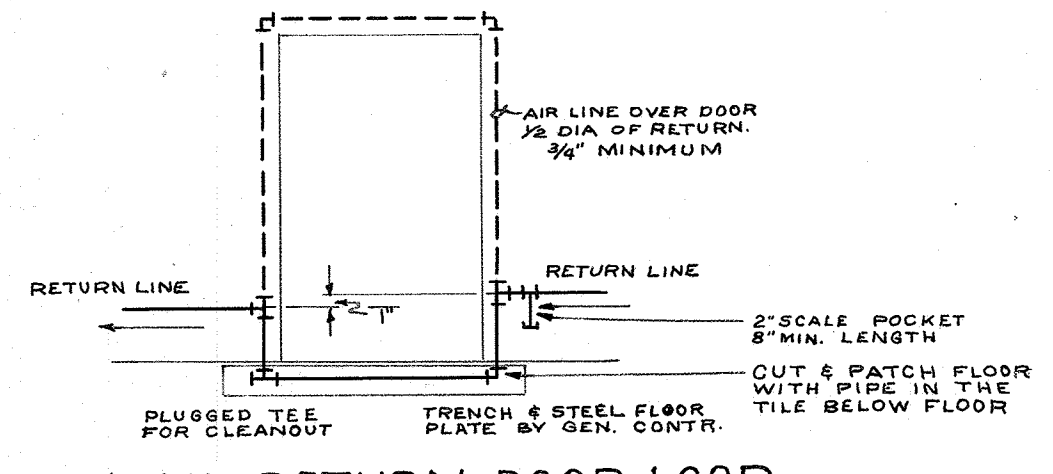
DETAIL-DRIP ASSEMBLY
NOT TO SCALE



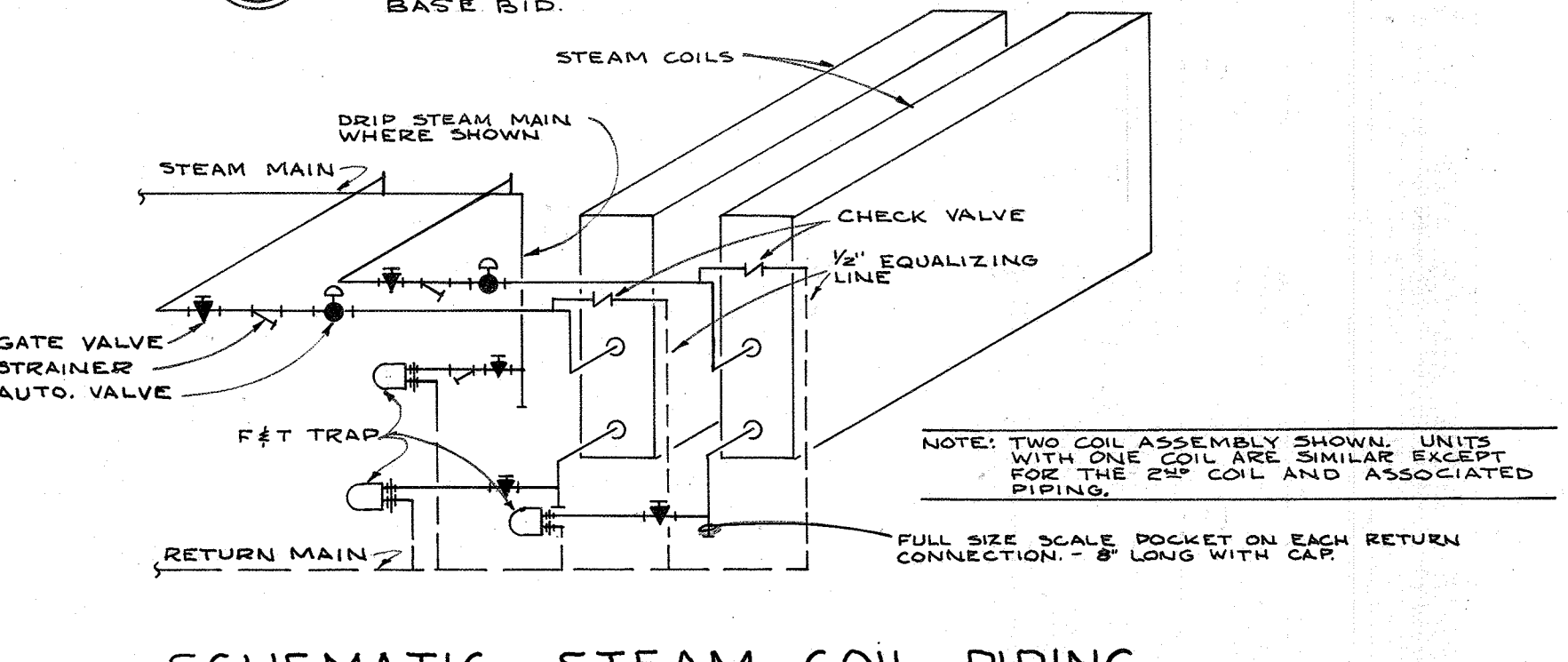
PIPING DIAGRAM-HIGH PRESSURE STEAM DRIP ASSEMBLY
NOT TO SCALE

PIPE SIZE	TRAP		STEAM SUPPLY VALVE			RISERS	
	F&T	THERMOSTATIC	RADIATION	UNIT HEATER	LARGE COIL	STEAM	RETURN
1/2"			120	120			
3/4"	280	240	260	215		30	280
1"	700	480			360	60	415
1 1/4"	1700				820	120	870
1 1/2"	3400				840	200	1400
2"	5700				840	400	3000
2 1/2"					1760	700	
3"					2940	1200	
4"					6520	2100	

- NO RETURN SHALL BE SMALLER THAN THE LARGEST TRAP DRIPPING INTO IT.
- SIZE UNDRIPPED STEAM RUNOUTS ONE SIZE LARGER THAN RISER OR VALVE.
- SIZE RETURN RUNOUTS SAME SIZE AS TRAP OR RISER.
- CAPACITIES INDICATED ARE IN G.P.R.

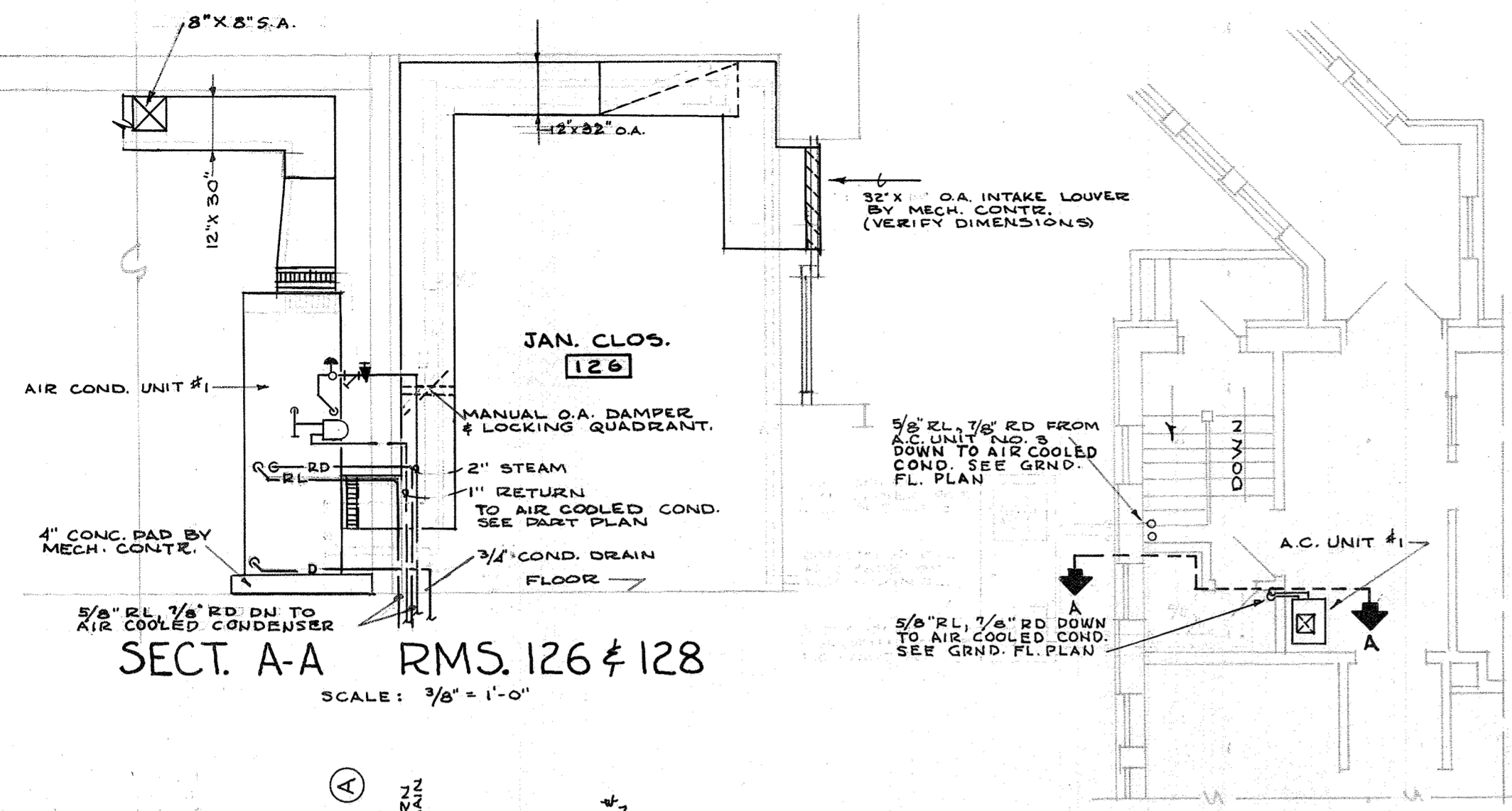


DETAIL RETURN DOOR LOOP
NOT TO SCALE

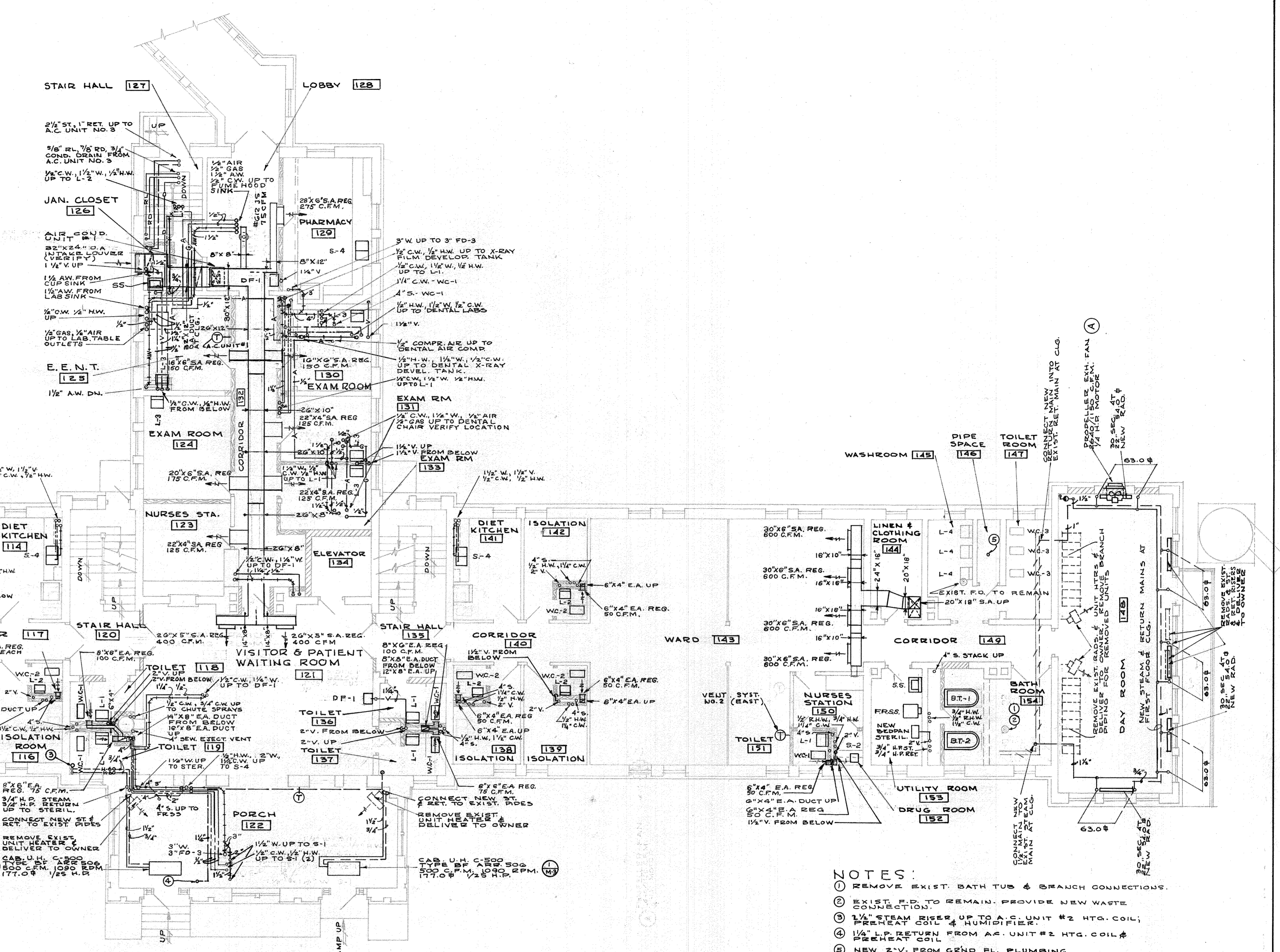


SCHEMATIC STEAM COIL PIPING
NOT TO SCALE

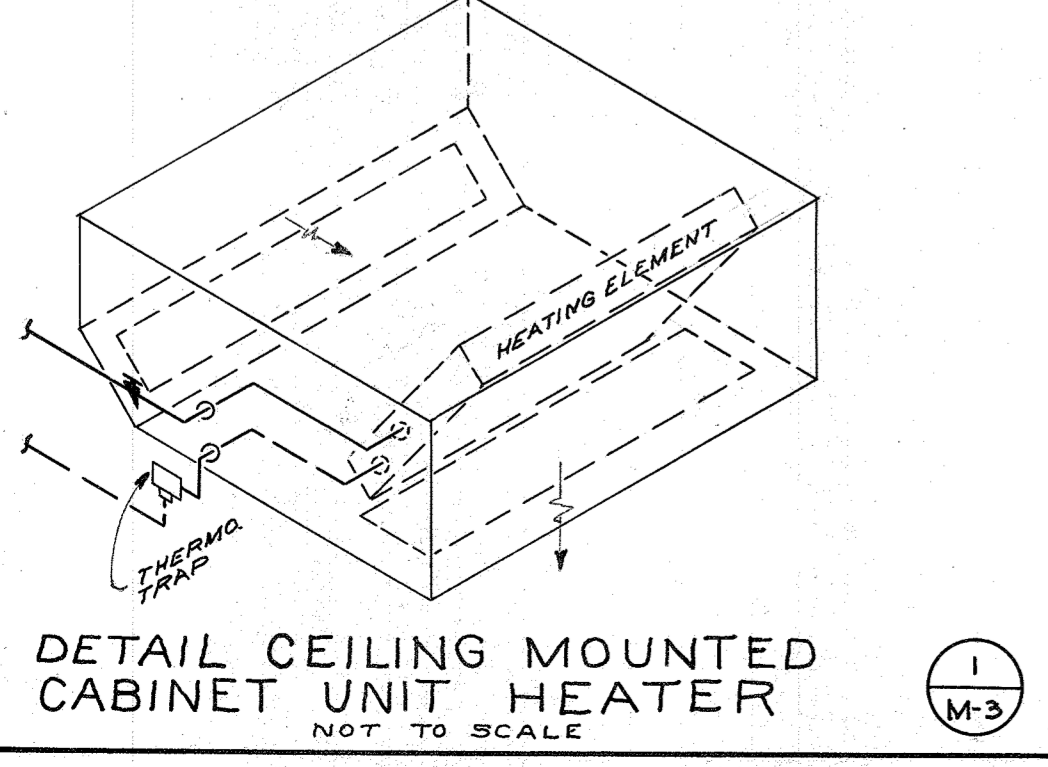
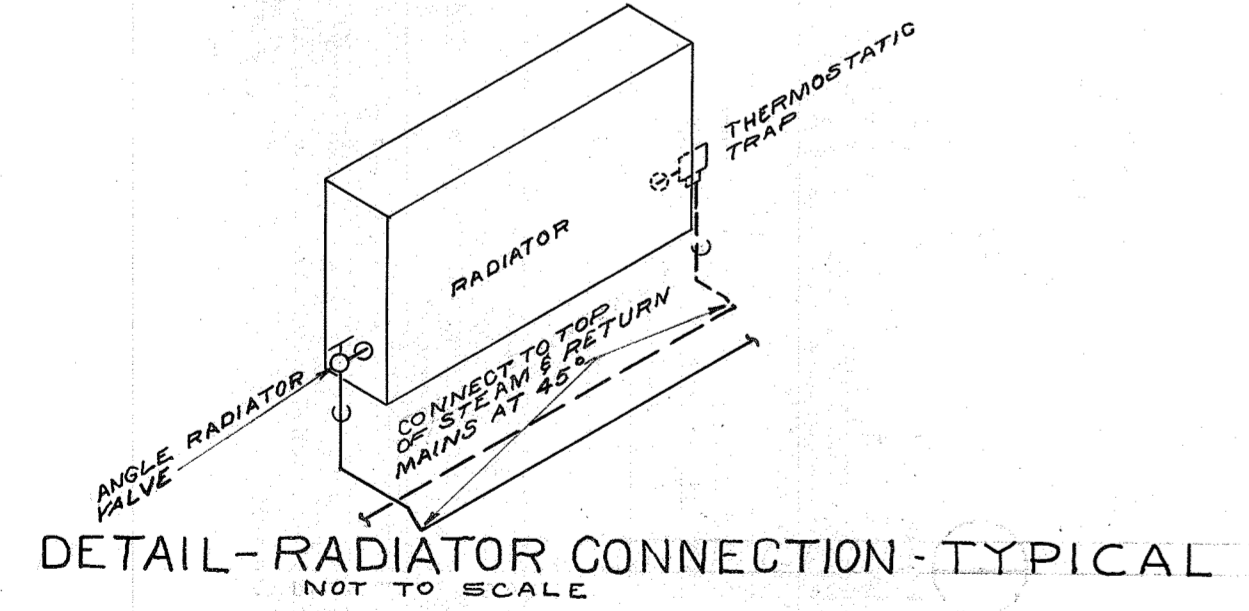
BOARD OF CONTROL OF STATE INSTITUTIONS STATE OFFICE BUILDING DES MOINES, IOWA JIM D. HENRY LARELL PRICE FRANK N. BUNKER ARCHITECT	RECONDITIONING OF PINEHURST INFIRMARY	DATE 12-1-64 DRAWING
	WOODWARD STATE HOSPITAL & SCHOOL WOODWARD IOWA	M-2
	GROUND FLOOR PLAN MECHANICAL	OF 5 SHEETS



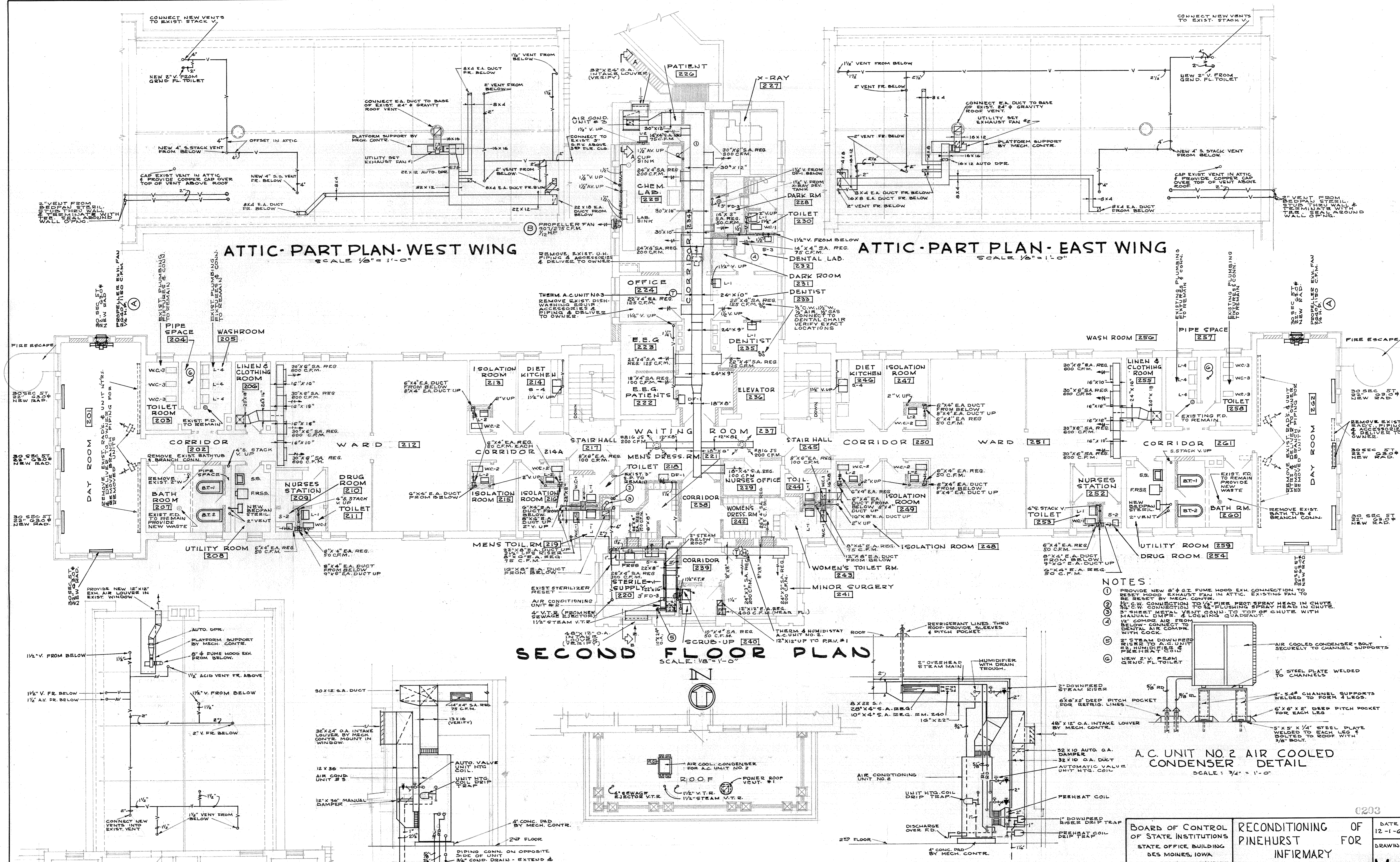
PART PLAN RMS. 126 & 128



- NOTES:
- 1 REMOVE EXIST. BATH TUB & BRANCH CONNECTIONS.
 - 2 EXIST. F.D. TO REMAIN. PROVIDE NEW WASTE CONNECTION.
 - 3 1/2" STEAM PIPER UP TO A.C. UNIT #2 HTG. COIL; PREHEAT COIL & HUMIDIFIER.
 - 4 1/2" L.P. RETURN FROM A.C. UNIT #2 HTG. COIL & PREHEAT COIL
 - 5 NEW 2" V. FROM GRND FL. PLUMBING.



BOARD OF CONTROL OF STATE INSTITUTIONS STATE OFFICE BUILDING DES MOINES, IOWA	RECONDITIONING OF PINEHURST INFIRMARY	DATE 12-1-64
	JIM D. HENRY CHAIRMAN CARROLL PRICE MEMBER RUSSELL L. WILSON MEMBER	WOODWARD STATE HOSPITAL & SCHOOLS WOODWARD
FRANK N. BUNKER ARCHITECT	FIRST FLOOR PLAN MECHANICAL	DRAWING M-3 OF 5 SHEETS
FRANK PULLEY ASSOCIATES ENGINEERS 200 WEST 12TH ST. DES MOINES, IOWA 50319		



ATTIC - PART PLAN - WEST WING
SCALE 1/8" = 1'-0"

ATTIC - PART PLAN - EAST WING
SCALE 1/8" = 1'-0"

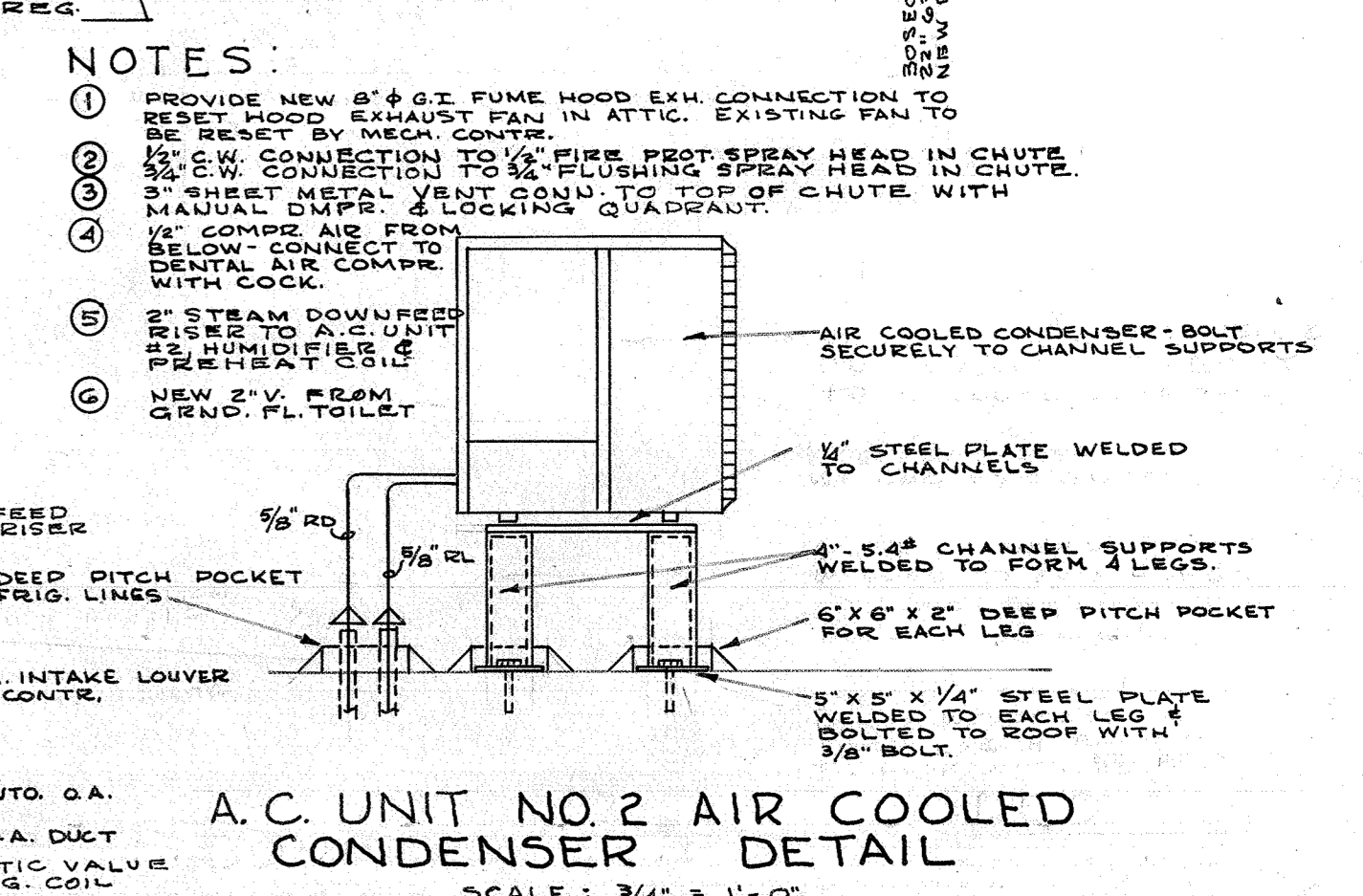
SECOND FLOOR PLAN
SCALE: 1/8" = 1'-0"

ATTIC - PART PLAN - NORTH WING
SCALE 1/8" = 1'-0"

SECTION A-A RM. 226
SCALE 3/8" = 1'-0"

ROOF OVER SOUTH BAY
SCALE 1/8" = 1'-0"

SECTION B-B RM. 220
SCALE 3/8" = 1'-0"

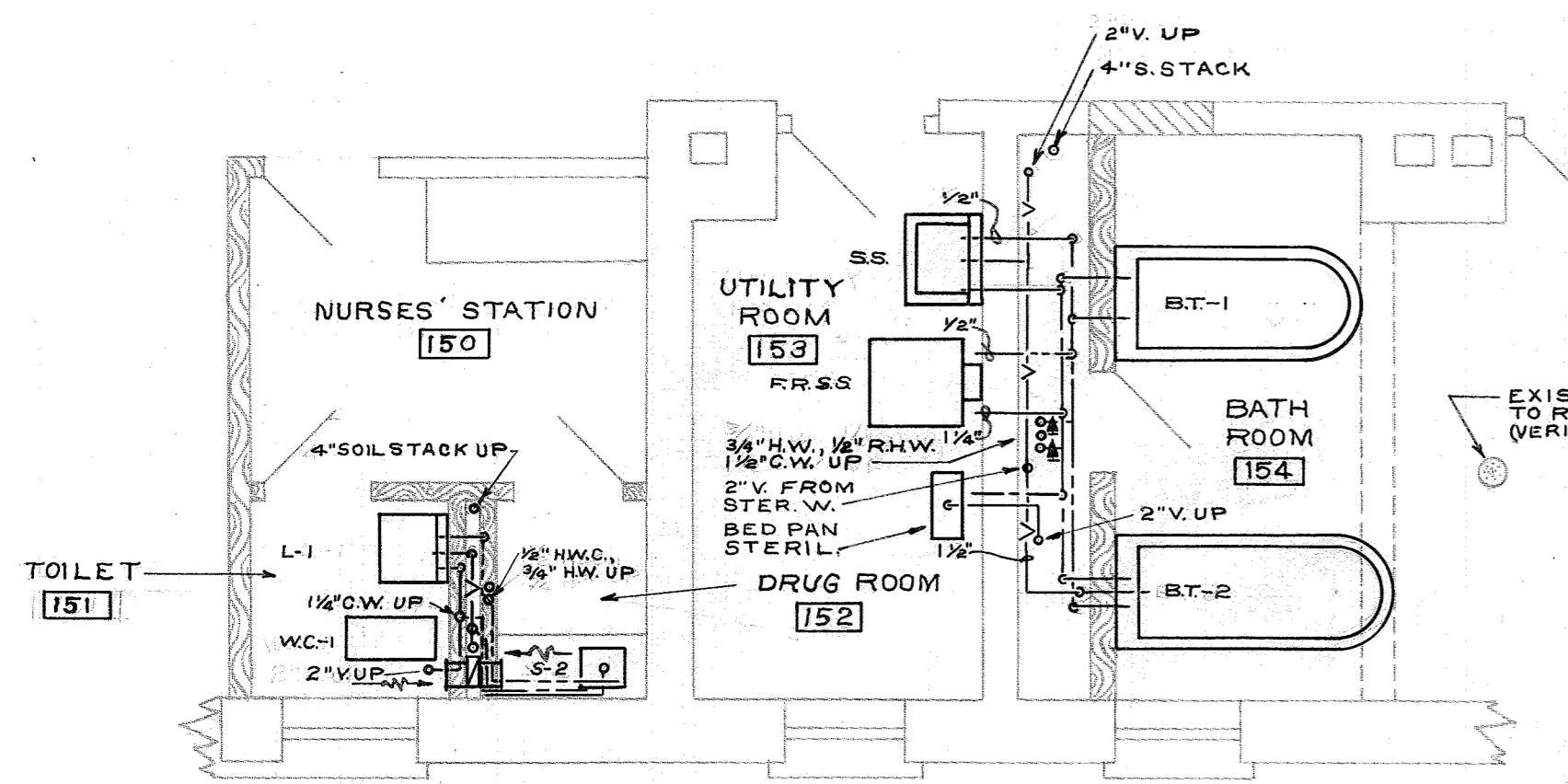


A.C. UNIT NO. 2 AIR COOLED CONDENSER DETAIL
SCALE: 3/4" = 1'-0"

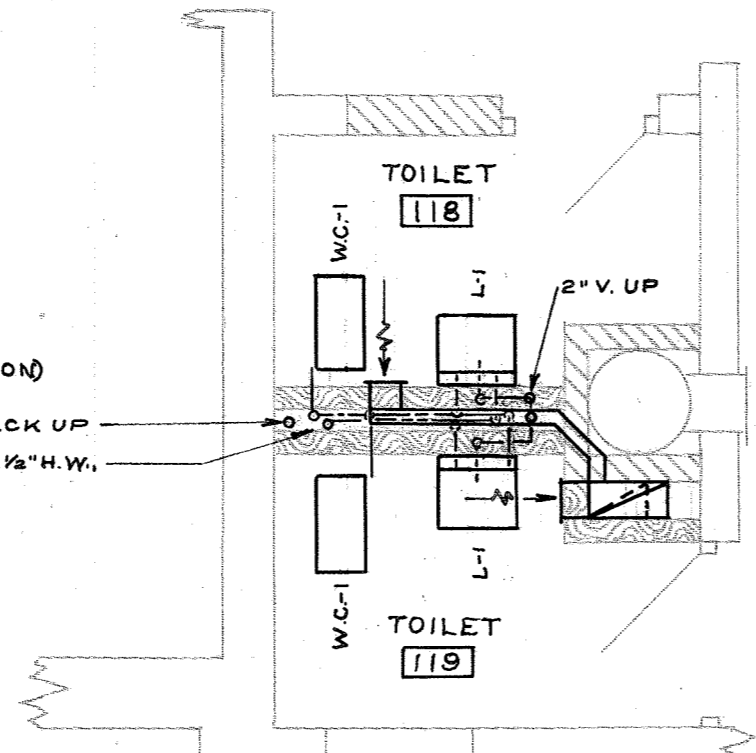
- NOTES:
1. PROVIDE NEW 8" Ø FUME HOOD EXH. CONNECTION TO RESET HOOD EXHAUST FAN IN ATTIC. EXISTING FAN TO BE RESET BY MECH. CONTR.
 2. 3/4" Ø W. CONNECTION TO 1/2" FLUSHING SPRAY HEAD IN CHUTE.
 3. 3" SHEET METAL VENT COND. TO TOP OF CHUTE WITH MANUAL D.M.P. & LOCKING GUARD.
 4. 1/2" COMP. AIR FROM BELOW - CONNECT TO DENTAL AIR COMP. WITH COCK.
 5. 2" STEAM DOWNFEED RISER TO A.C. UNIT RE. HUMID. & LOCKING GUARD.
 6. NEW 2" V. FROM GEN'D. FL. TOILET.

BOARD OF CONTROL OF STATE INSTITUTIONS STATE OFFICE BUILDING DES MOINES, IOWA	RECONDITIONING OF PINEHURST INFIRMARY	DATE: 12-1-64 DRAWING: M-4 OF 5 SHEETS
JIM D. HENEY CHAIRMAN CARROLL PRICE MEMBER RUSSELL L. WILSON MEMBER	WOODWARD STATE HOSPITAL & SCHOOL WOODWARD	
FRANK N. BUNKER ARCHITECT	SECOND FLOOR PLAN MECHANICAL	

FRANK PULLEY ASSOCIATES
311 UNIVERSITY AVENUE, DES MOINES, IOWA 50319



PART PLAN: ROOMS NO. 153, 154, 259, 260
SCALE: 1/4" = 1'-0"
ROOMS NO. 107, 108, 207, 208, SIMILAR



PART PLAN: ROOMS 118, 119, 218, 219
SCALE: 1/4" = 1'-0"
ROOMS NO. 136, 137, 243, 244 SIMILAR

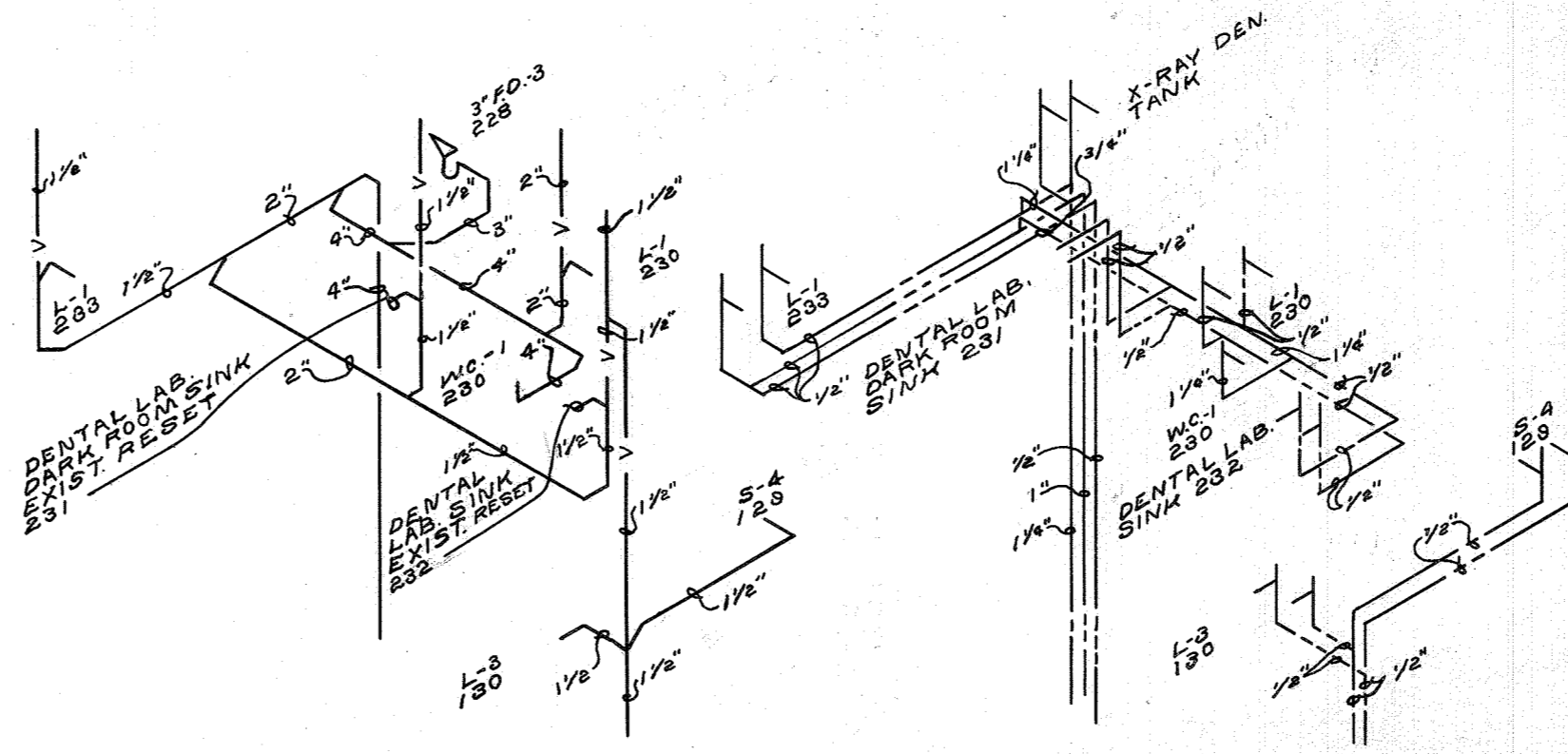
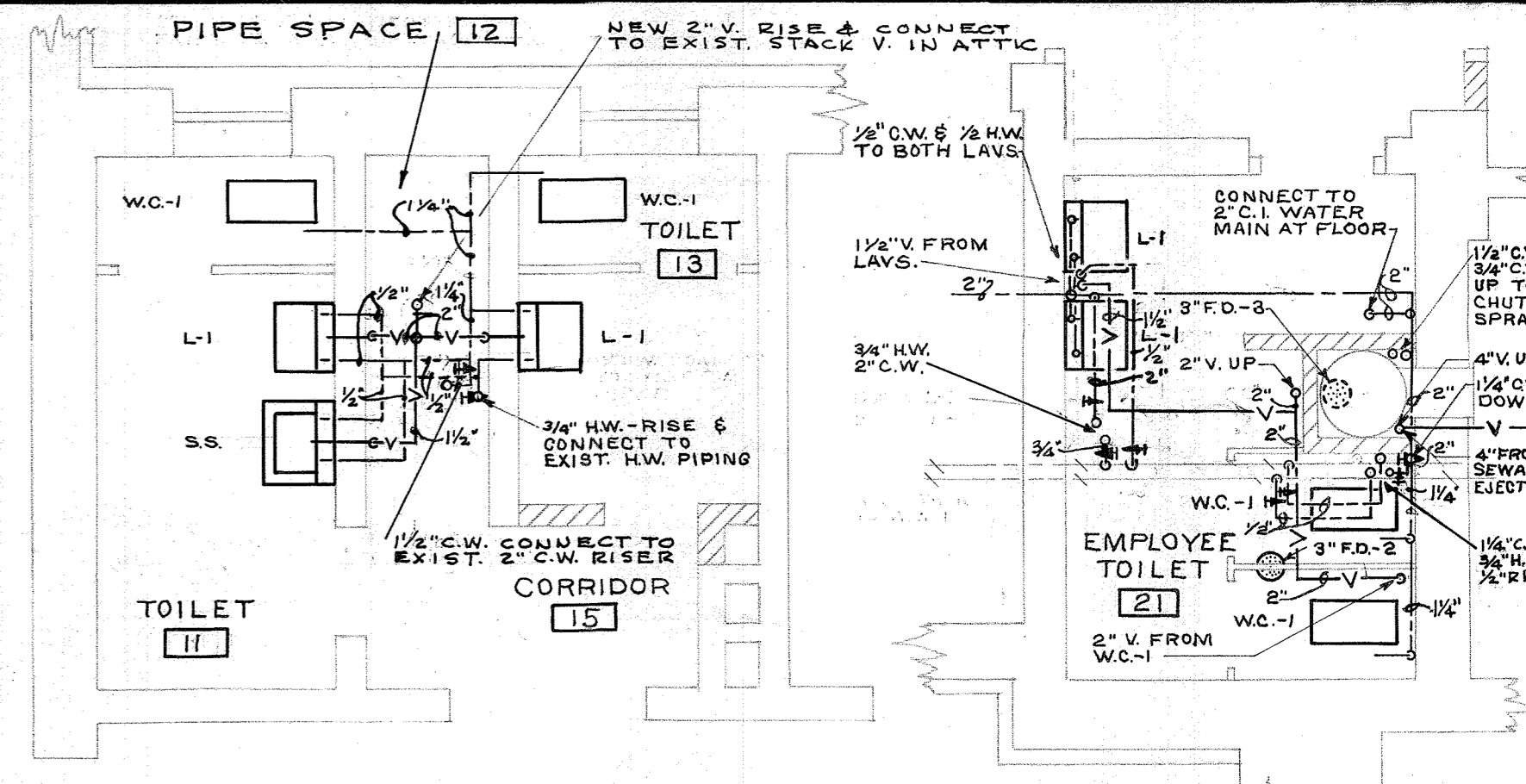


DIAGRAM-WASTE PIPING ROOMS
228, 230, 231, 232, 129, 130
NOT TO SCALE



PART PLAN-ROOMS 11, 12, 13, & 15
SCALE: 1/4" = 1'-0"
ROOMS 38, 39, 40, & 46 SIMILAR

PART PLAN-ROOM 21
SCALE: 1/4" = 1'-0"

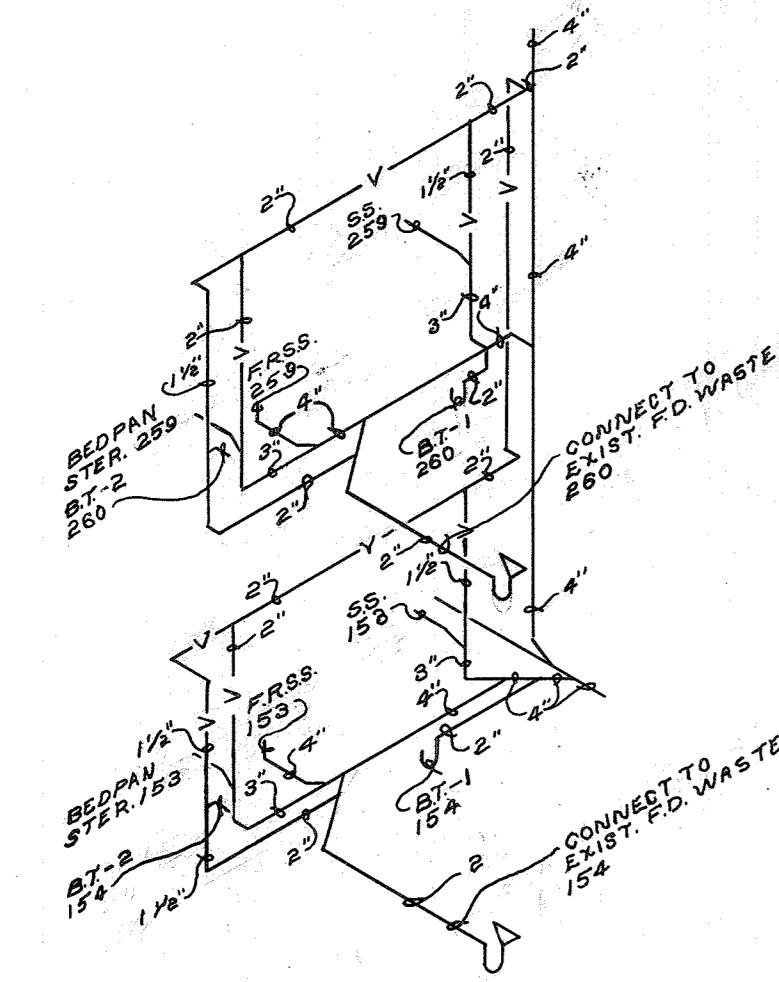


DIAGRAM-SOIL & WASTE PIPING
ROOMS 153, 154, 259, 260
NOT TO SCALE
SOIL & WASTE PIPING ROOMS 107,
108, 207, 208 SIMILAR

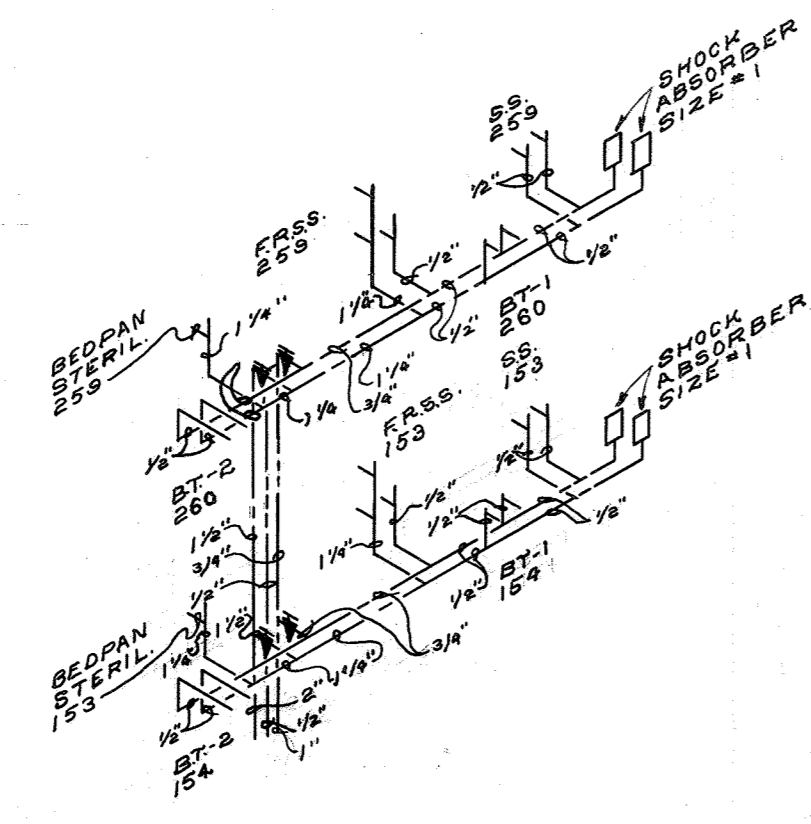


DIAGRAM-WATER PIPING
ROOMS 153, 154, 259, 260
NOT TO SCALE
WATER PIPING FOR ROOMS 107,
108, 207, 208, SIMILAR

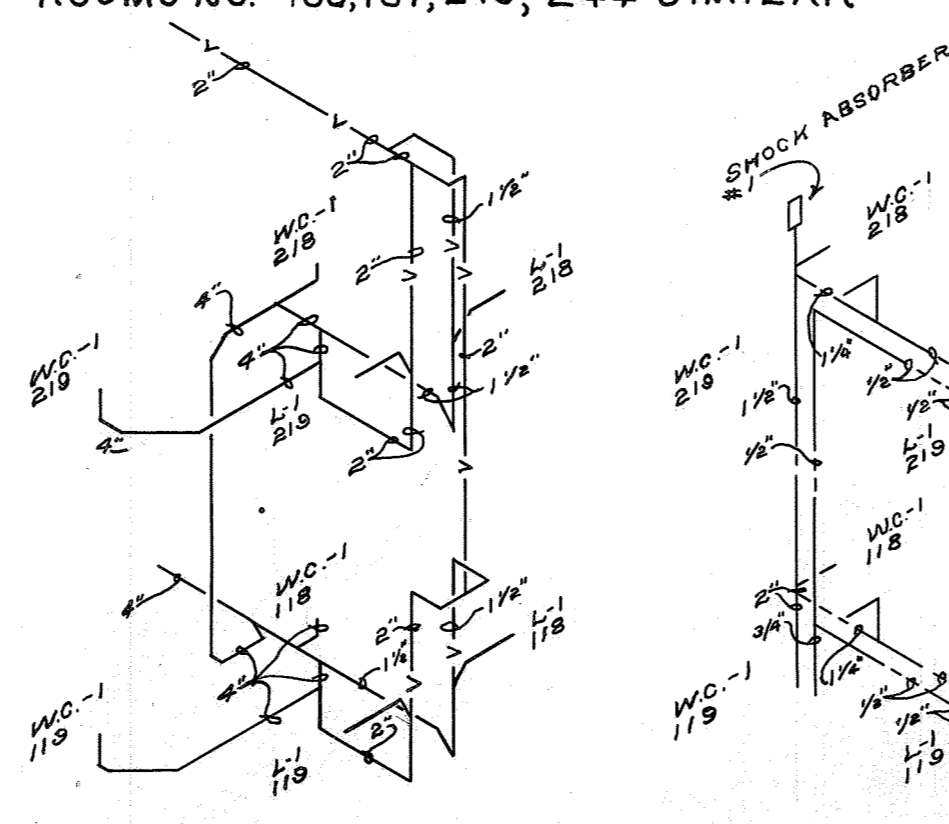


DIAGRAM-SOIL & WASTE PIPING
ROOMS 118, 119, 218, 219
NOT TO SCALE
ROOMS 136, 137, 243, 244 SIMILAR

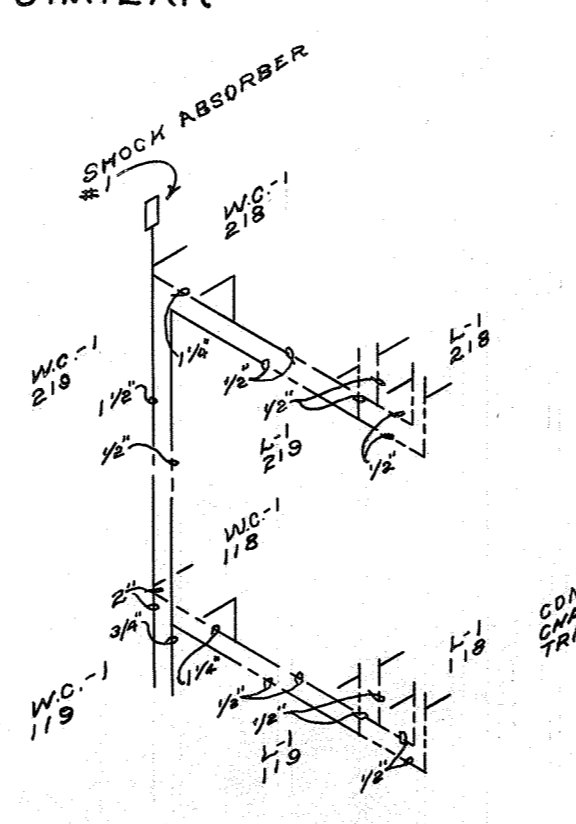


DIAGRAM-WATER PIPING
ROOMS 118, 119, 218, 219
NOT TO SCALE
ROOMS 136, 137, 243, 244
SIMILAR

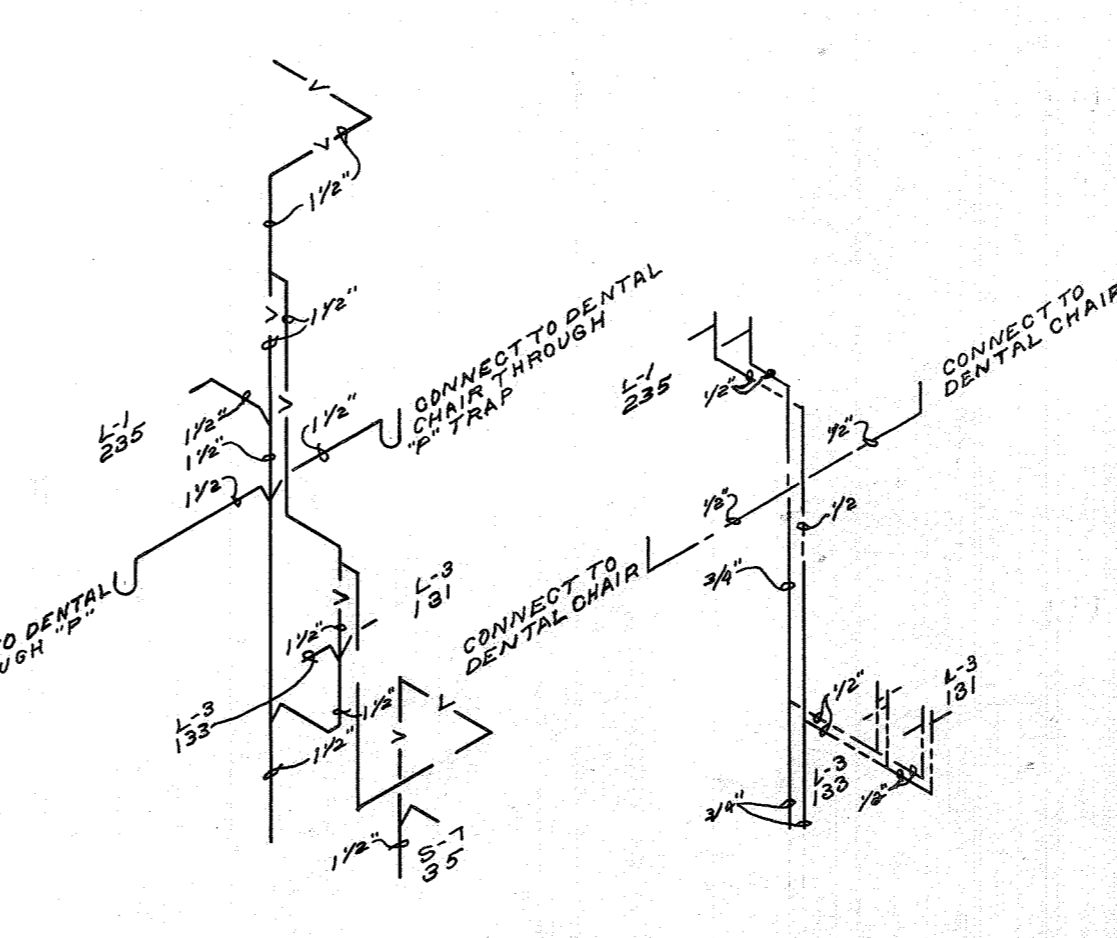


DIAGRAM-WASTE PIPING
ROOMS 131, 133, 135
NOT TO SCALE

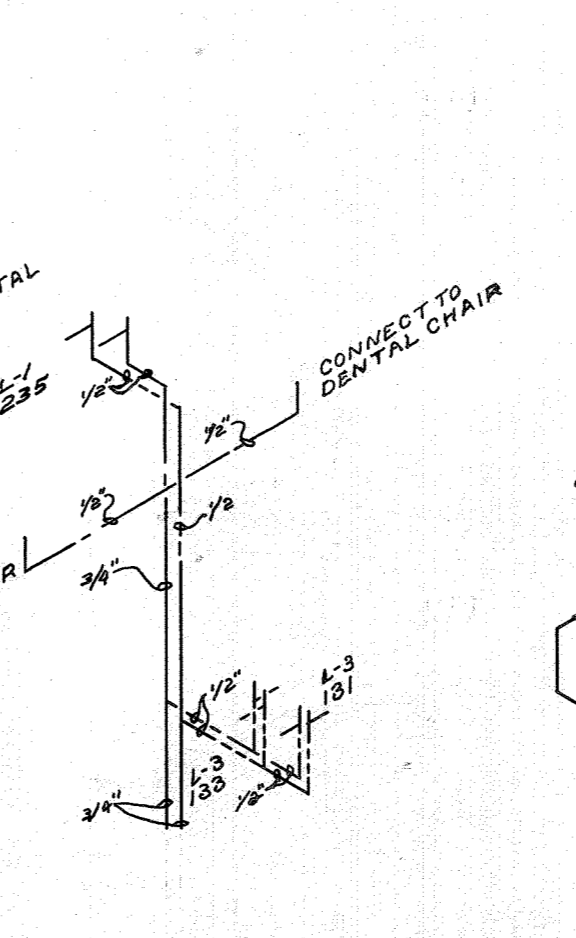


DIAGRAM-WATER PIPING
ROOMS 131, 133, 135
NOT TO SCALE

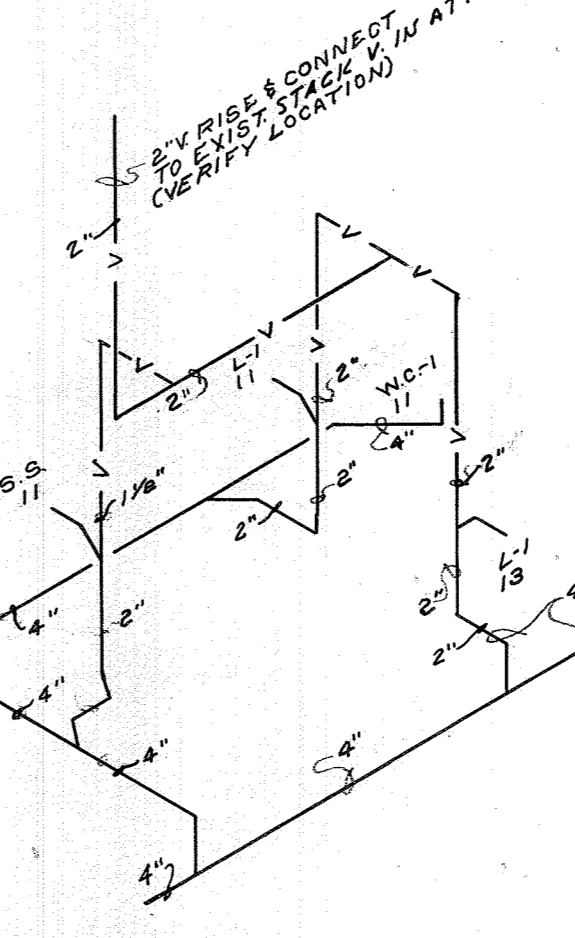


DIAGRAM-SOIL & WASTE
PIPING ROOMS 11, 12, 13 & 15
NOT TO SCALE
ROOMS 38, 39, 40, 46
SIMILAR

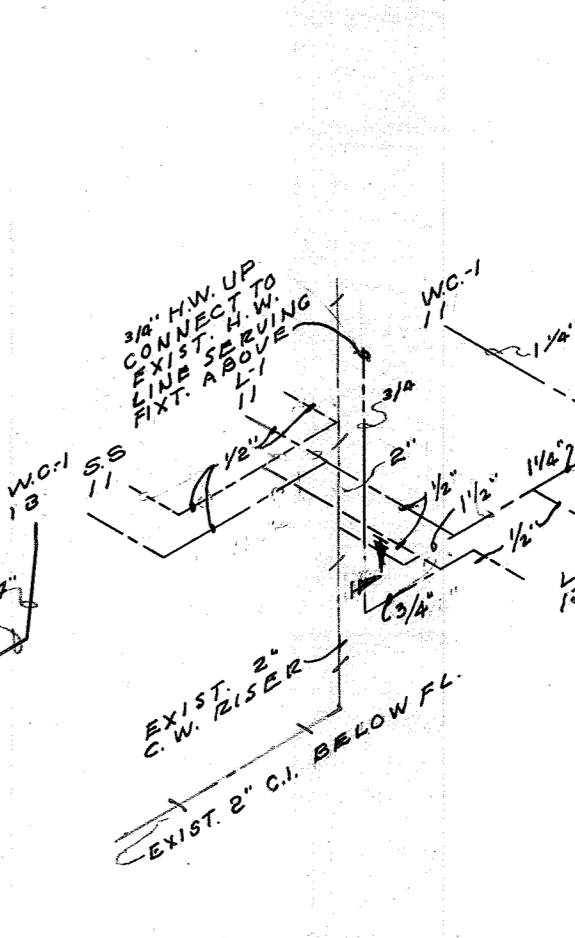


DIAGRAM-WATER
PIPING ROOMS 11, 12, 13 & 15
NOT TO SCALE
ROOMS 38, 39, 40, 46
SIMILAR

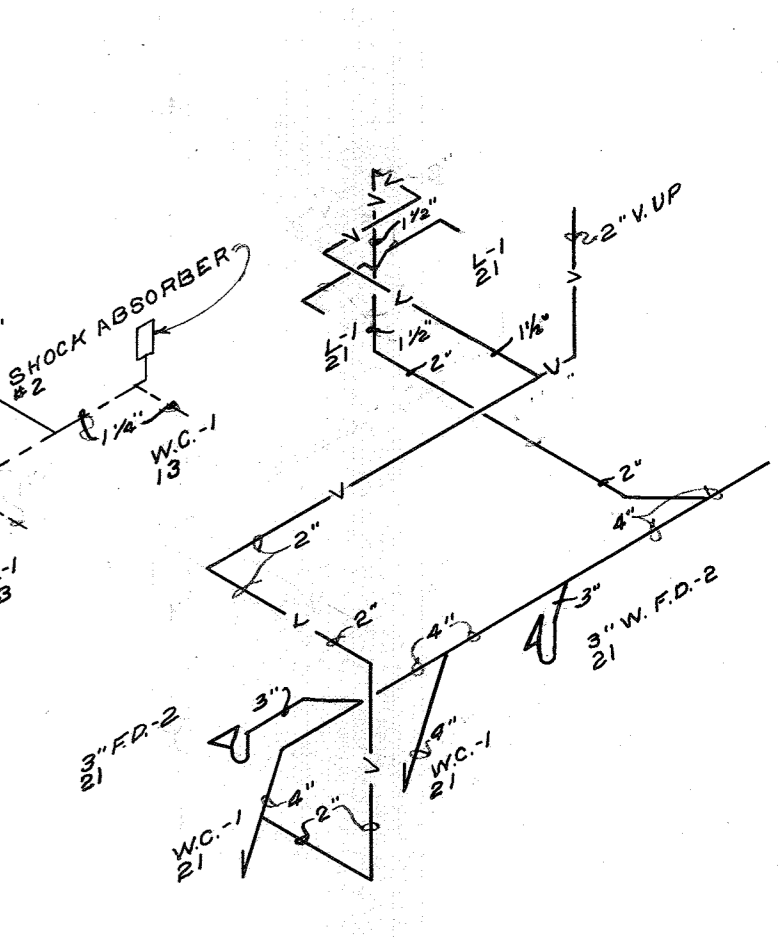


DIAGRAM-SOIL & WASTE
PIPING ROOM 21
NOT TO SCALE

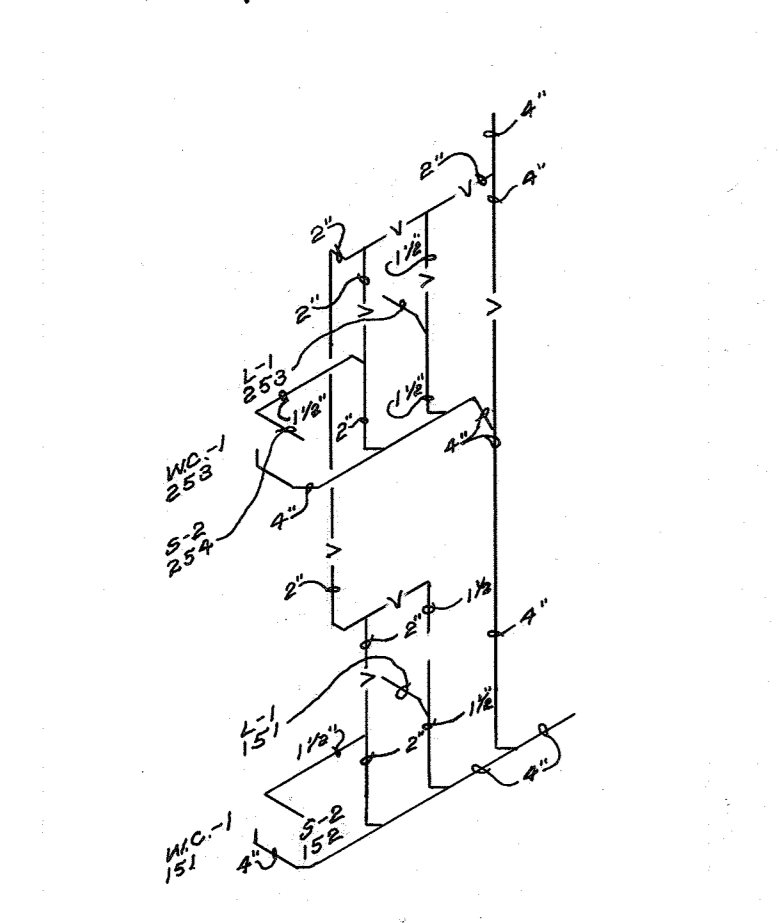


DIAGRAM-SOIL & WASTE PIPING
ROOMS 151, 152, 253, 254
NOT TO SCALE
SOIL & WASTE PIPING FOR ROOMS
110, 111, 210, 211 SIMILAR

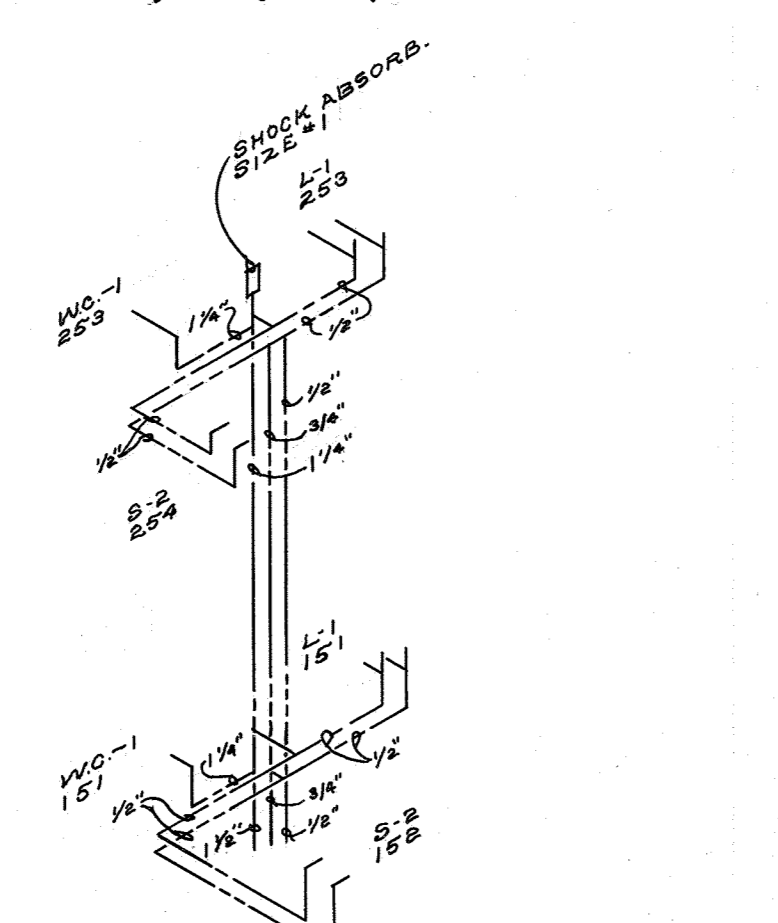


DIAGRAM-WATER PIPING ROOMS
151, 152, 253, 254
NOT TO SCALE
WATER PIPING FOR ROOMS 110, 111,
210, 211 SIMILAR

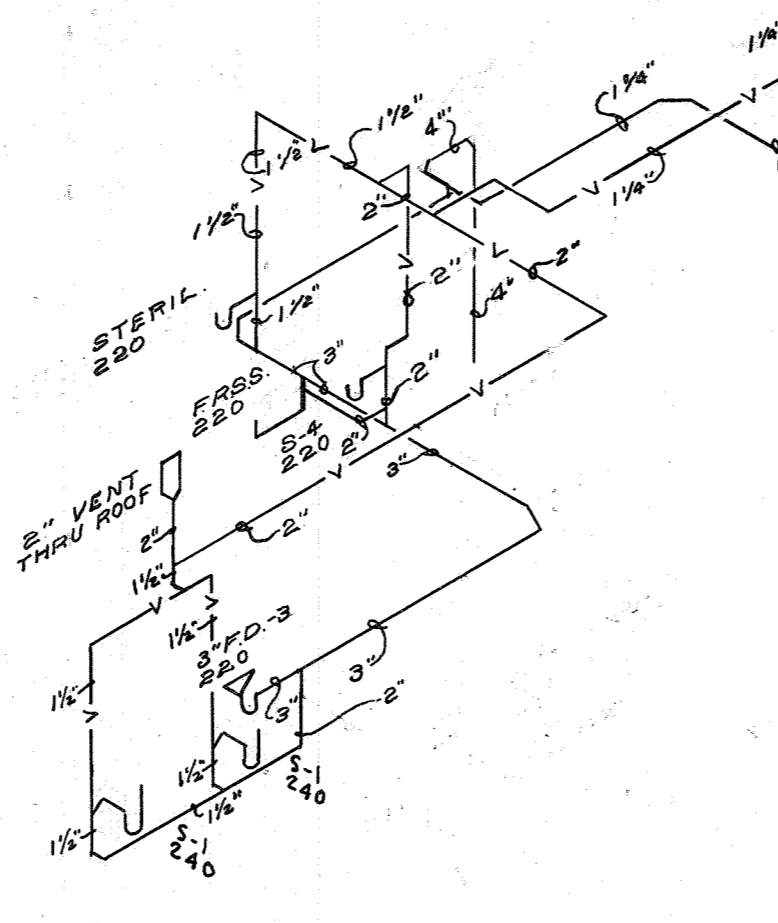


DIAGRAM-SOIL & WASTE
PIPING ROOMS 220 & 240
NOT TO SCALE

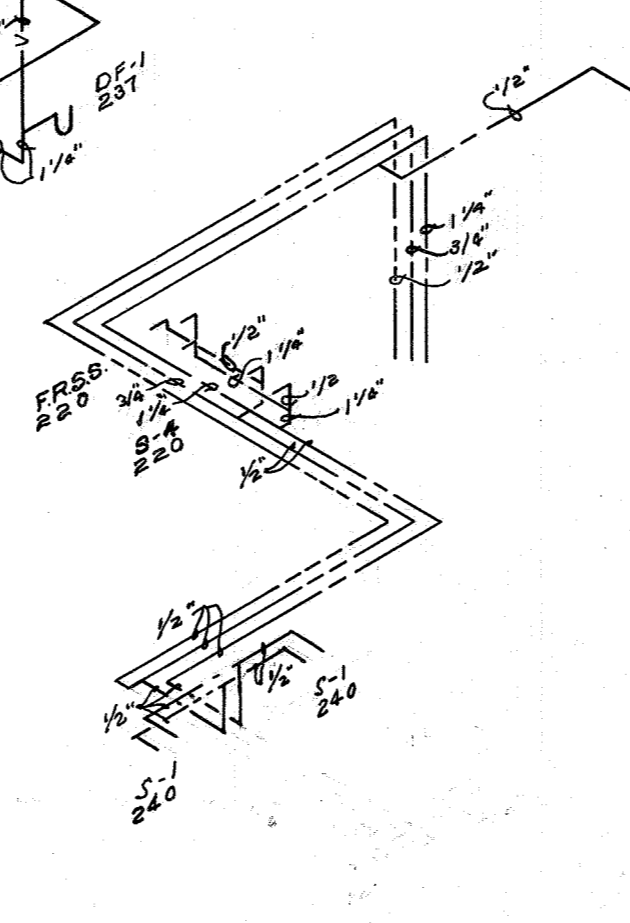


DIAGRAM-WATER PIPING
ROOMS 220 & 240
NOT TO SCALE

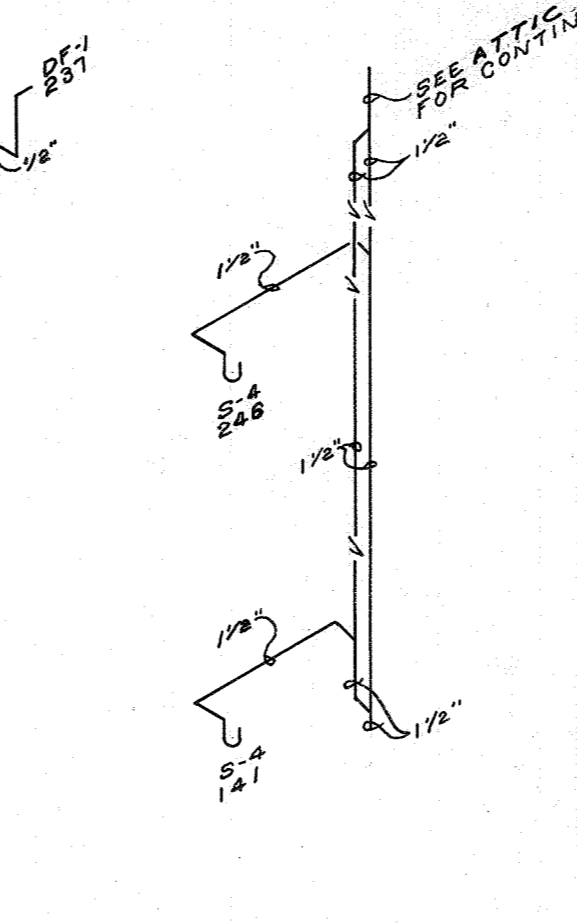


DIAGRAM-WASTE PIPING
ROOMS 141 & 246
NOT TO SCALE
ROOMS 114 & 214 SIMILAR

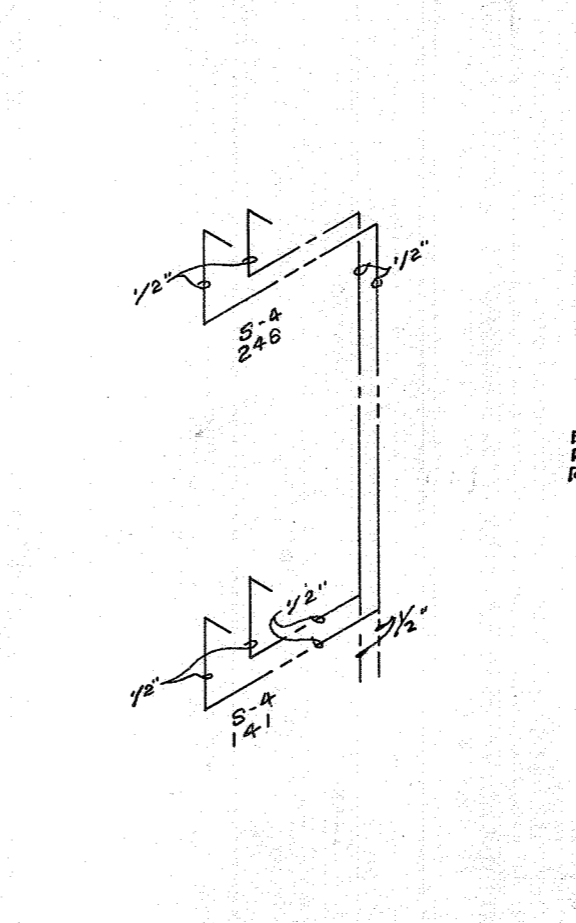
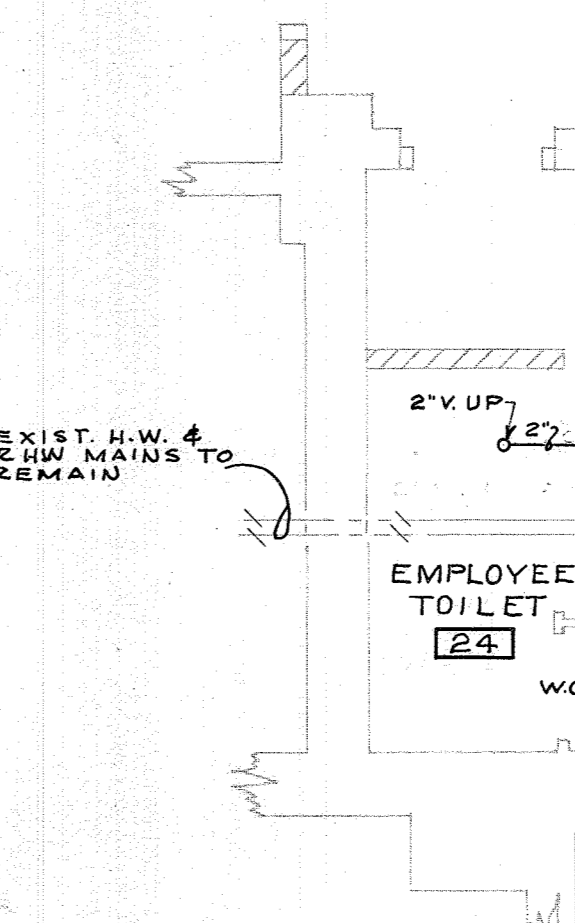
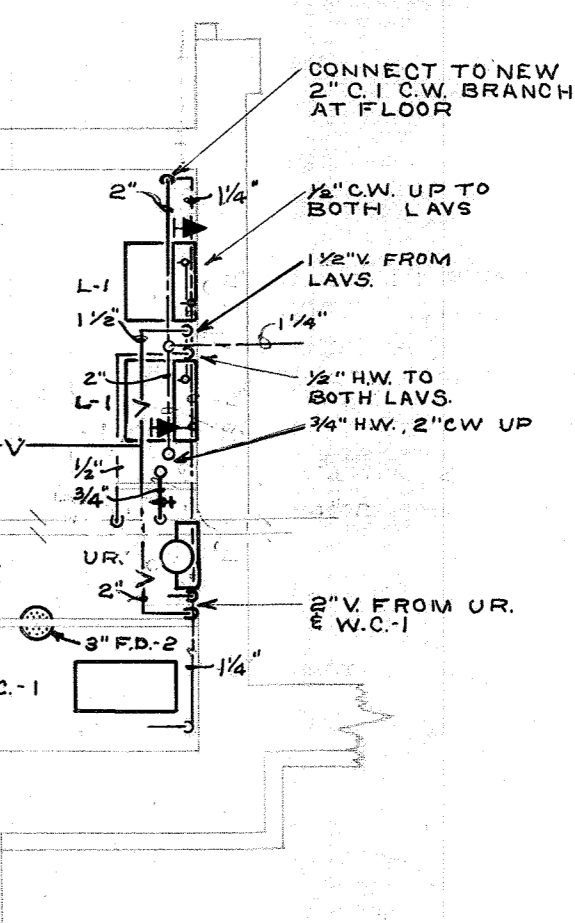


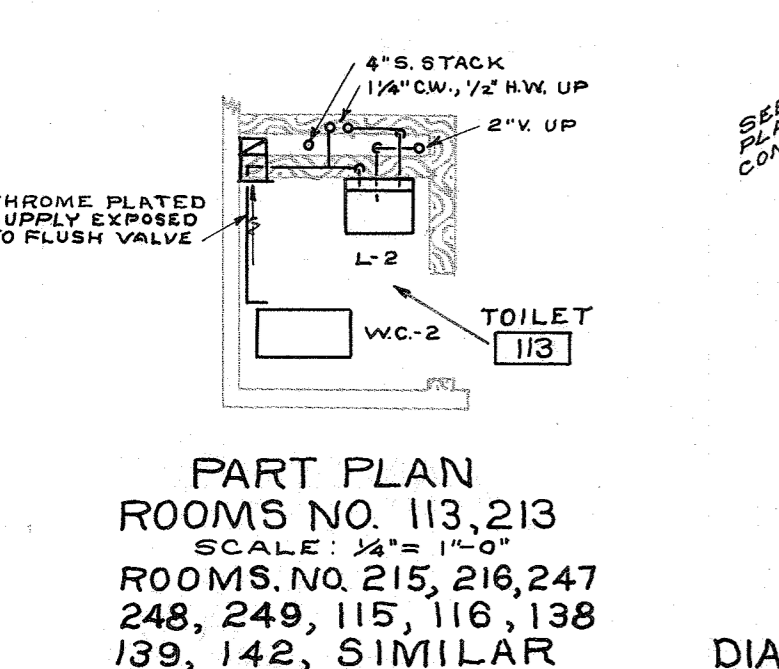
DIAGRAM-WATER PIPING
ROOMS 141 & 246
NOT TO SCALE
ROOMS 114 & 214 SIMILAR



PART PLAN-ROOM 24
SCALE: 1/4" = 1'-0"



DETAIL-WATER PIPING
ROOM 21
NOT TO SCALE



PART PLAN
ROOMS NO. 113, 213
SCALE: 1/4" = 1'-0"
ROOMS NO. 215, 216, 247,
248, 249, 115, 116, 138,
139, 142, SIMILAR

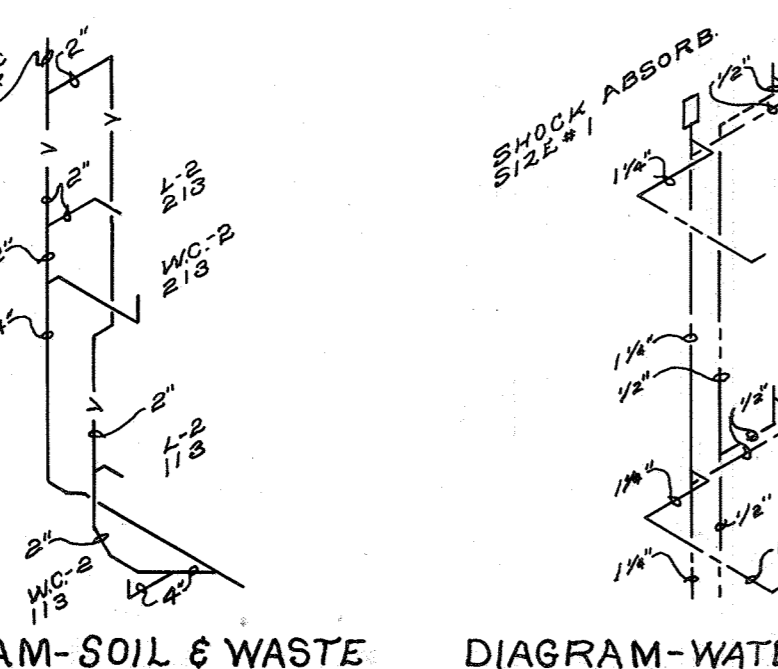


DIAGRAM-SOIL & WASTE
PIPING ROOMS 113 & 213
NOT TO SCALE
ROOMS 215, 216, 247, 248, 249,
115, 116, 138, 139, 143 SIMILAR

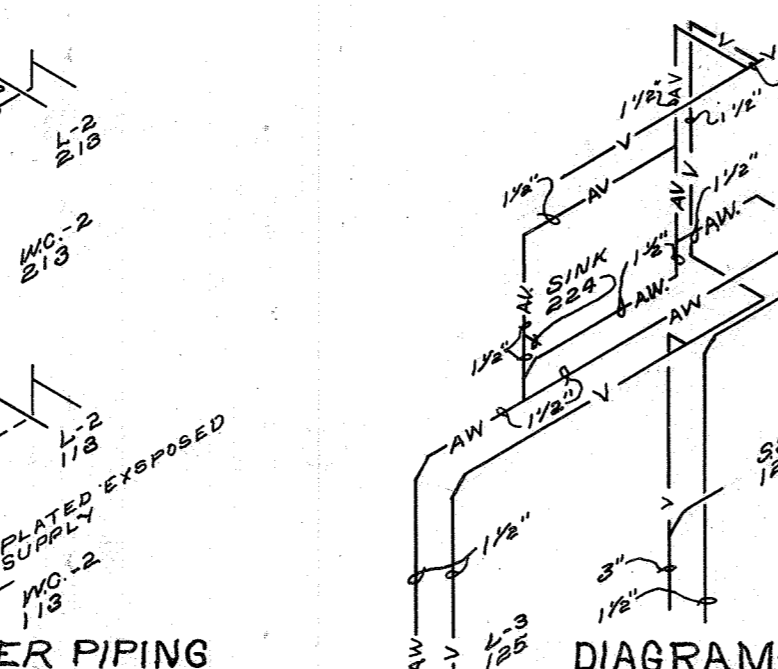


DIAGRAM-WATER PIPING
ROOMS 113 & 213
NOT TO SCALE
ROOMS 215, 216, 247, 248, 249,
115, 116, 138, 139, 143 SIMILAR

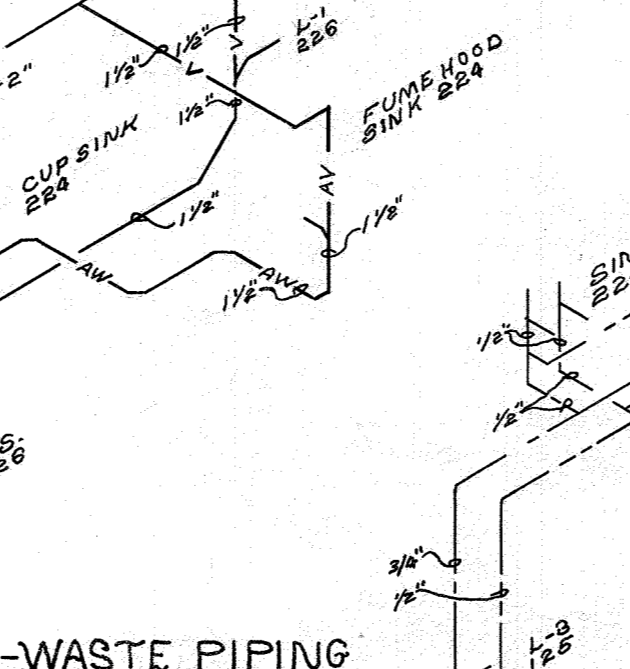


DIAGRAM-WASTE PIPING
ROOMS 125 & 224
NOT TO SCALE

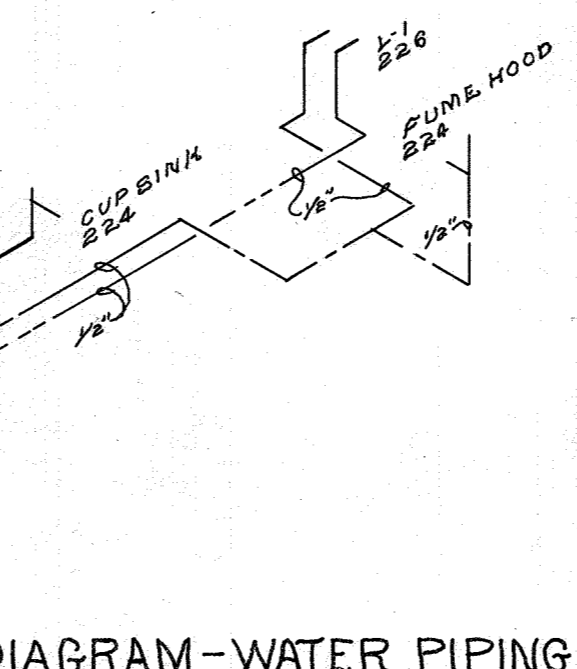


DIAGRAM-WATER PIPING
ROOMS 125 & 224
NOT TO SCALE

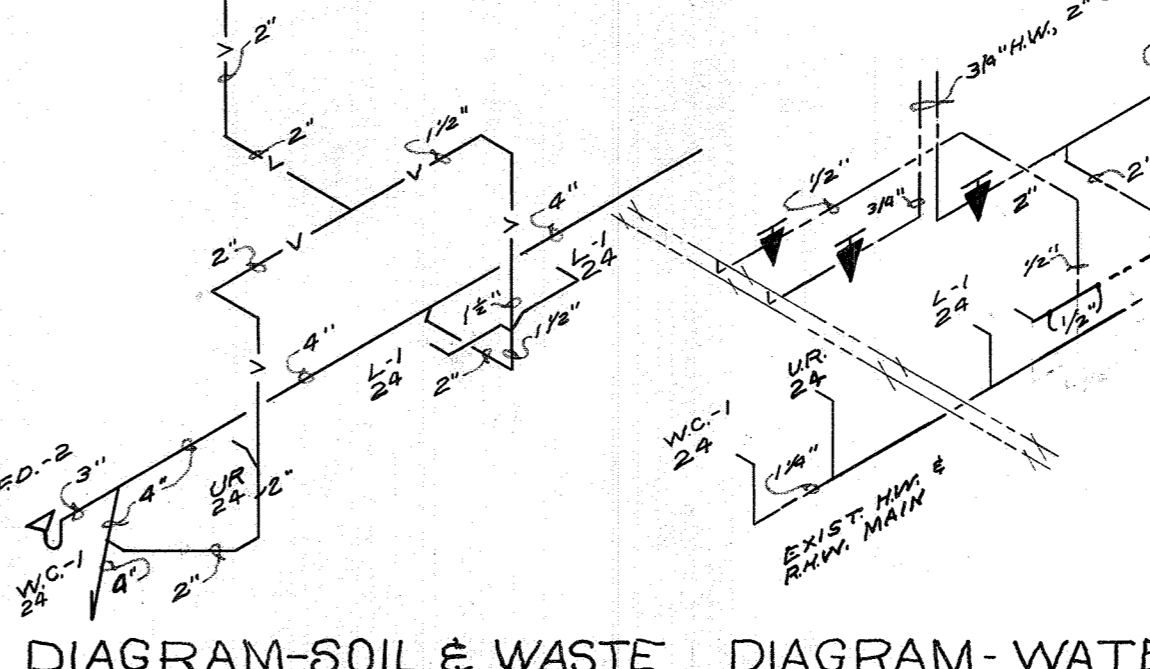


DIAGRAM-SOIL & WASTE
PIPING ROOM 24
NOT TO SCALE

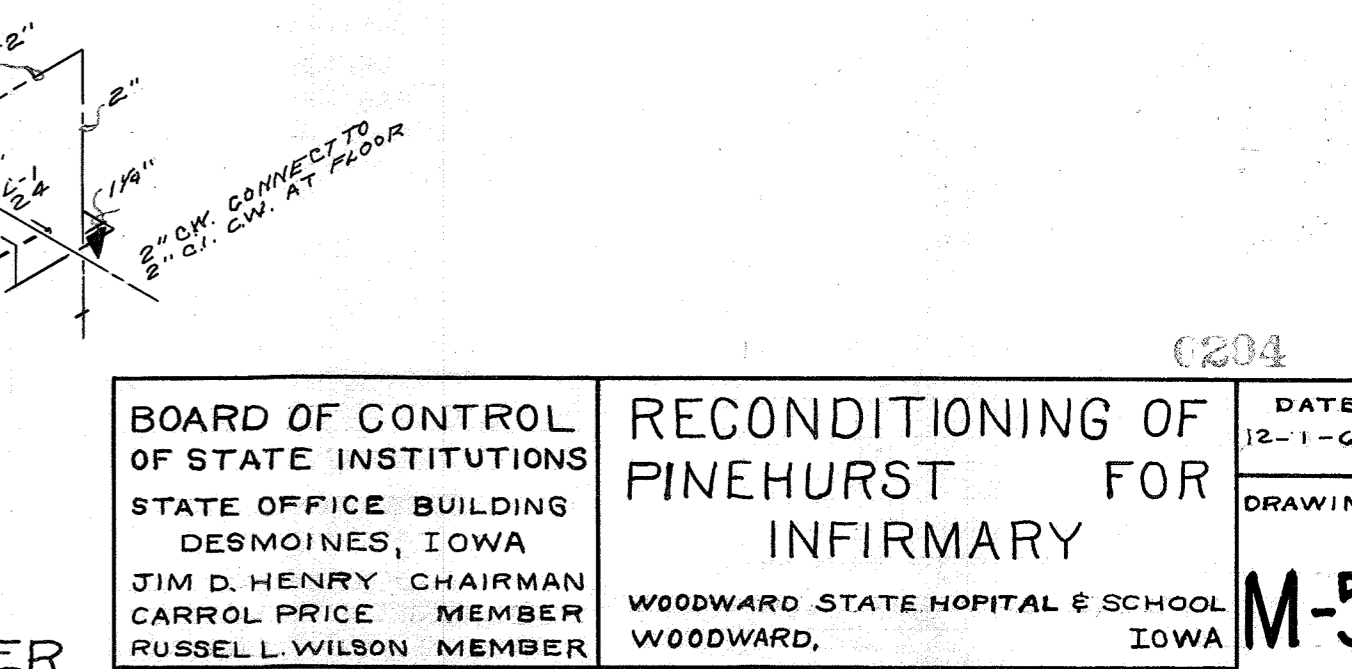
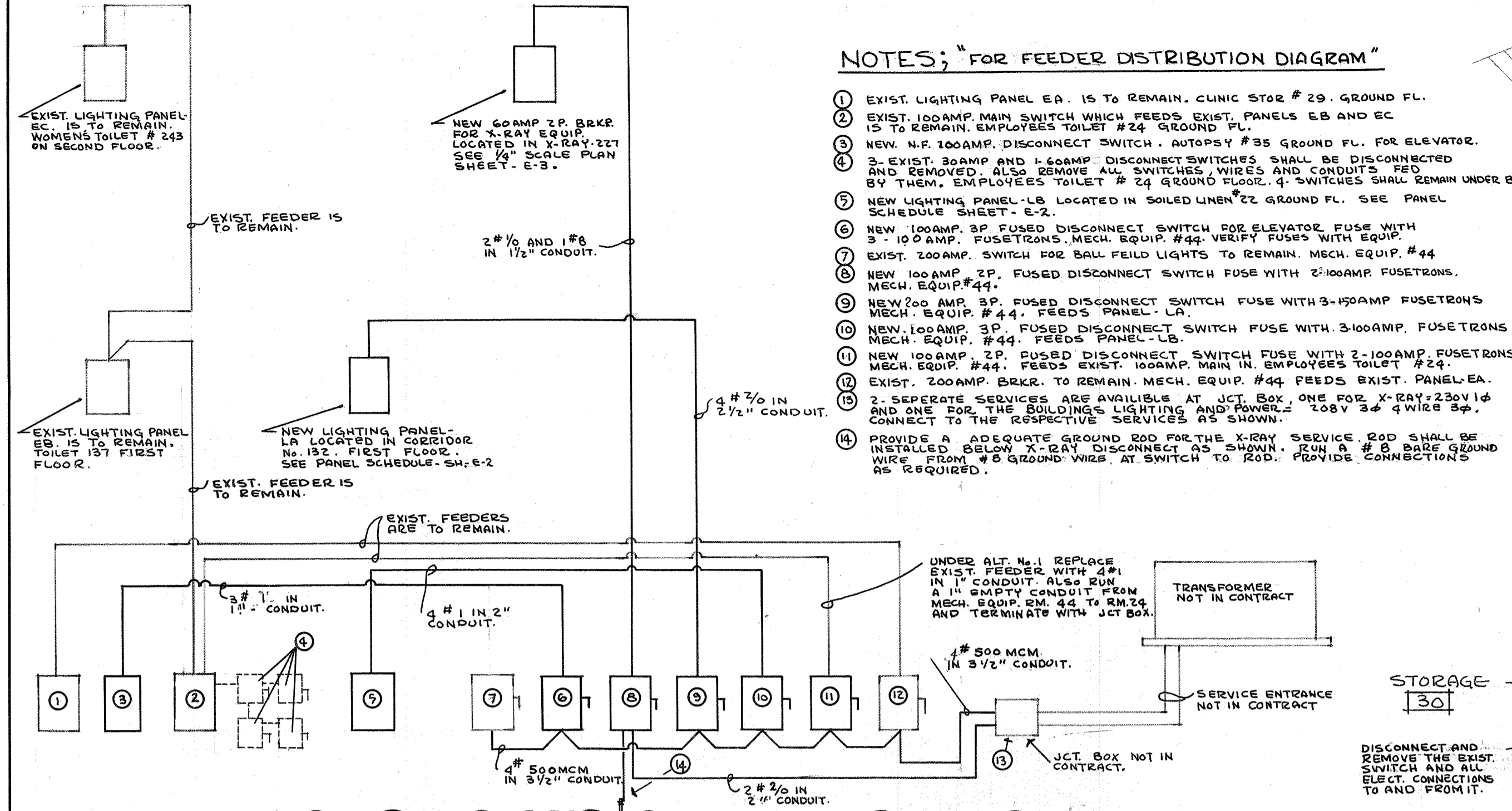


DIAGRAM-WATER
PIPING ROOM 24
NOT TO SCALE

BOARD OF CONTROL OF STATE INSTITUTIONS STATE OFFICE BUILDING DES MOINES, IOWA JIM D. HENRY CHAIRMAN CARROL PRICE MEMBER RUSSELL WILSON MEMBER FRANK N. BUNKER ARCHITECT	RECONDITIONING OF PINEHURST FOR INFIRMARY	DATE 12-1-64
	WOODWARD STATE HOSPITAL & SCHOOL WOODWARD, IOWA	DRAWING M-5
	PLUMBING DETAILS MECHANICAL	OF 5 SHEETS
	FRANK PULLEY ASSOCIATES CORPORATION 502 EAST LUTHERAN AVENUE DES MOINES, IOWA 50319	



- NOTES; "FOR FEEDER DISTRIBUTION DIAGRAM"**
- EXIST LIGHTING PANEL EA-15 TO REMAIN. CLINIC STOR #29. GROUND FL.
 - EXIST 100AMP MAIN SWITCH WHICH FEEDS EXIST PANELS EB AND EC IS TO REMAIN. EMPLOYEES TOILET #24 GROUND FL.
 - NEW N.F. 100AMP DISCONNECT SWITCH AUTOPSY #35 GROUND FL. FOR ELEVATOR.
 - EXIST 30AMP AND 1-60AMP DISCONNECT SWITCHES SHALL BE DISCONNECTED AND REMOVED. ALSO REMOVE ALL SWITCHES, WIRES AND CONDUITS FED BY THEM. EMPLOYEES TOILET #24 GROUND FLOOR. 4) SWITCHES SHALL REMAIN UNDER BASE BID.
 - NEW LIGHTING PANEL-LB LOCATED IN SOLED UNEN #22 GROUND FL. SEE PANEL SCHEDULE SHEET-E-2.
 - NEW 100AMP 3P FUSED DISCONNECT SWITCH FOR ELEVATOR. FUSE WITH 3-100AMP FUSETRONS. MECH. EQUIP. #44.
 - EXIST 200AMP SWITCH FOR BALL FIELD LIGHTS TO REMAIN. MECH. EQUIP. #44.
 - NEW 100AMP 3P FUSED DISCONNECT SWITCH FUSE WITH 2-100AMP FUSETRONS. MECH. EQUIP. #44.
 - NEW 200 AMP 3P FUSED DISCONNECT SWITCH FUSE WITH 3-100AMP FUSETRONS MECH. EQUIP. #44. FEEDS PANEL-LA.
 - NEW 100AMP 3P FUSED DISCONNECT SWITCH FUSE WITH 3-100AMP FUSETRONS MECH. EQUIP. #44. FEEDS EXIST 100AMP MAIN IN EMPLOYEES TOILET #24.
 - EXIST 200AMP BRK. TO REMAIN. MECH. EQUIP. #44 FEEDS EXIST PANEL-EA.
 - 2 SEPARATE SERVICES ARE AVAILABLE AT JCT. BOX. ONE FOR X-RAY 230V 1Φ AND ONE FOR THE BUILDING LIGHTING AND POWER. 2 208V 3Φ 4 WIRE 3P. PROVIDE A DEPENDENT TYPE GROUND ROD FOR THE X-RAY SERVICE. ROD SHALL BE INSTALLED BELOW X-RAY DISCONNECT AS SHOWN. RUN A #6 BARE GROUND WIRE FROM 4" GROUND WIRE AT SWITCH TO ROD. PROVIDE CONNECTIONS AS REQUIRED.

GENERAL NOTES

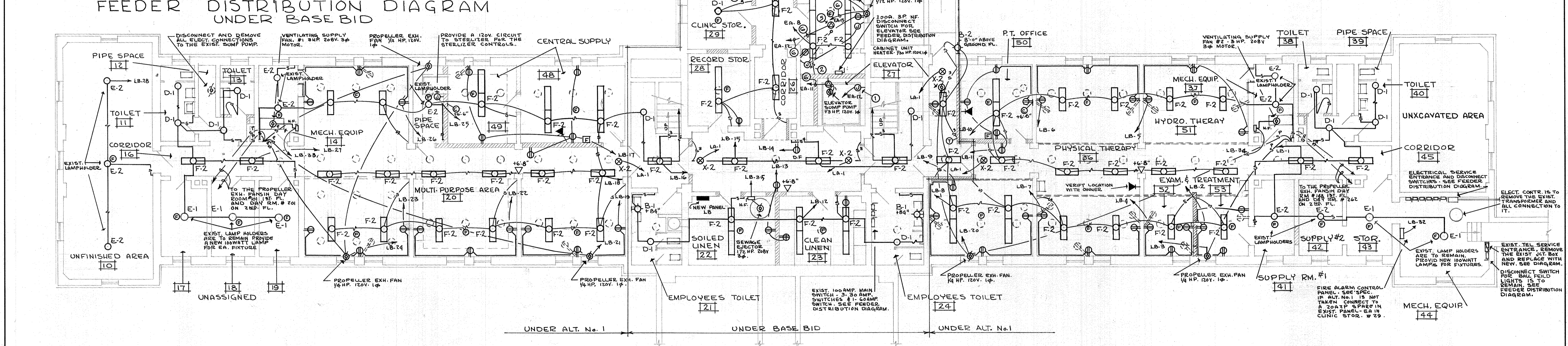
ON GROUND FLOOR EXPOSED SWITCHES, CONDUITS LIGHTING FIXTURES AND ETC. NOT NOTED TO REMAIN SHALL BE REMOVED UNDER ALT. No. 1. CONCEALED CONDUITS SHALL BE USED TO SERVE NEW WIRING AS POSSIBLE.

ON 1ST AND 2ND FLOOR PROVIDE FINISHED COVERS FOR THE OUTLET BOXES WHERE EXISTING LIGHTING FIXTURES AND SWITCHES ARE REMOVED.

ON 1ST AND 2ND FLOOR CONNECT NEW LIGHTING CIRCUITS AS SHOWN. VERIFY EXISTING LOAD ON CIRCUITS AND DISTRIBUTE NEW LOAD AS REQUIRED.

EXIST. ELECT. EQUIP. NOTE SHOWN ON THESE DRAWINGS SHALL REMAIN IF IT DOES NOT INTERFERE WITH NEW CONSTRUCTION AND IF USEABLE AND SHALL BE REMOVED IF IT DOES INTERFERE WITH NEW CONSTRUCTION OR NOT USEABLE.

RUN ALL NEW EXPOSED CONDUITS AND METAL RACEWAYS PARALLEL OR PERPENDICULAR TO THE WALLS AND FLOOR.



GROUND FLOOR PLAN
SCALE: 1/8" = 1'-0"

- ELECTRICAL SYMBOLS**
- | | | | |
|---|---|----------------|--|
| ⊙ | AUTOMATIC FIRE DETECTOR. | ⊙ | FIRE ALARM CHIME + 8'-0" OR AS NOTED - STATION BELOW AT +4'-0" |
| ○ | CEILING OUTLET. | ⊞ | SAFETY SWITCH - N.F. = NON FUSED. |
| ⊞ | RECESSED FIXTURE. | ⊞ | TELEPHONE CABINET. |
| ⊞ | WALL BRACKET OUTLET. | ⊞ | LIGHTING PANEL - FLUSH. |
| ⊞ | FLUORESCENT FIXTURE. | ⊞ | LIGHTING PANEL - SURFACE. |
| ⊞ | EXIT LIGHTING - CEILING. | ⊞ | SPECIAL CABINET AS NOTED. |
| ⊞ | EXIT LIGHTING - WALL. | S | SWITCH LEG TO SINGLE POLE SWITCH + 48" OR AS NOTED. |
| ⊞ | DUPLEX CONVENIENCE OUTLET + 14" OR AS NOTED. | S ³ | SWITCH LEG TO THREE-WAY SWITCH + 48" OR AS NOTED. |
| ⊞ | DUPLEX CONVENIENCE OUTLET FOR DRINKING FOUNTAIN. | S ⁴ | SWITCH LEG TO POOR-WAY SWITCH + 48" OR AS NOTED. |
| ⊞ | DUPLEX CONVENIENCE OUTLET + 8" ABOVE COUNTER TOP. | S ⁵ | SWITCH LEG TO SWITCH WITH PILOT + 48" OR AS NOTED. |
| ⊞ | SPECIAL OUTLET AS NOTED. | — | CONDUIT CONCEALED IN CEILING OR WALL CONSTRUCTION. |
| ⊞ | DUPLEX TWIST LOCK RECEPTACLE + 5'-6" | — | CONDUIT CONCEALED IN FLOOR CONSTRUCTION. |
| ⊞ | MOTOR OUTLET. | — | EXPOSED CONDUIT OR METAL RACEWAY. |
| ⊞ | CLOCK OUTLET + 8'-0" OR AS NOTED. D.F. = DOUBLE FACE. | — | EXISTING CONSTRUCTION. |
| ⊞ | JUNCTION BOX. | — | NEW CONSTRUCTION. |
| ⊞ | CLOCK HANGER OUTLET + 8'-0" OR AS NOTED. | ○ | EXISTING LIGHTING FIXTURE TO REMAIN. |
| ⊞ | LOCATION OF THERMOSTAT + 5'-0" OR AS NOTED. | ○ | EXISTING LIGHTING FIXTURE TO BE REMOVED. |
| ⊞ | FIRE ALARM STATION + 4'-0" OR AS NOTED. | +48" | MOUNTING HEIGHT - CENTER LINE TO FINISH FLOOR. |
| ⊞ | FIRE ALARM HORN + 8'-0" OR AS NOTED - STATION BELOW ⊙ + 4'-0" | ⊞ | NOTE REFERENCE. |
| ⊞ | FIRE ALARM HORN + 8'-0" OR AS NOTED. | ⊞ | EXIST. OUTLET TO REMAIN. |
| ⊞ | TELEPHONE OUTLET + 14" OR AS NOTED. | ⊞ | EXIST. OUTLET TO BE REMOVED. |

FEEDER DISTRIBUTION PANEL - UNDER ALT. No. 2

SWITCH	SIZE	FUSES	CONDUCTORS	CONDUIT	LOAD
1	600A 3P	3-600A	2-SETS 350MM ²	2-3/4"	SERVICE ENTRANCE
2	200A 3P			2"	FUTURE A.C. UNIT
3	200A 3P	2-200A	3-4/0"	2 1/2"	BALL FIELD LIGHTING
4	200A 3P	2-200A	4-3/0"	2 1/2"	EXIST. PANEL - EA - RM. #29
5	200A 3P	3-150A	4-3/0"	2 1/2"	NEW PANEL - LA - RM. #32
6	100A 3P	2-100A	4-1"	2"	FUTURE PANEL
7	100A 3P			2"	FUTURE PANEL
8	100A 3P	3-100A	4-1"	2"	NEW PANEL - LB - RM. #22
9	100A 3P		3-1"	1 1/2"	ELEVATOR
10	60A 3P				SPARE
11					SPARE
12					SPARE
13					SPARE

- NOTE, "FOR FEEDER DISTRIBUTION PANEL - UNDER ALT. No. 2"**
- PROVIDE SPACE ONLY FOR A 200AMP 3P SWITCH IN THE F.D.P. AND PROVIDE A 2" EMPTY COND FROM F.D.P. TO UNASSIGNED RM. #14
 - REMOVE SPACE ONLY FOR A 200AMP 3P SWITCH IN THE F.D.P.
 - REMOVE THE EXIST. 200A SWITCH SERVING THE BALL FIELD UNDER ALT. No. 2 & CONNECT THE EXIST. WIRES & COND. TO THE NEW FEEDER FROM F.D.P.
 - REMOVE THE EXIST. 200A CIRCUIT BRK. SERVING THE PANEL UNDER ALT. No. 2 & CONNECT THE EXIST. WIRES & COND. TO THE NEW FEEDER FROM F.D.P. NEW PANEL AND FEEDER.
 - SWITCH AND FEEDERS ARE FOR NEW 3Φ 4WIRE PANELS WHICH WILL REPLACE THE EXIST. PANELS EB & EC IN THE FUTURE. UNDER ALT. No. 2 REMOVE THE EXIST. 100AMP SWITCH AND EXIST. FEEDER FROM MECH. EQUIP. RM. #44 TO SWITCH WHICH IS LOCATED IN RM. #4 AND RUN NEW FEEDER F.D.P. #2 TO THE EXIST. FEEDER AND CONNECT THIS FEEDER TO SERVE THE FUTURE PANEL WHICH WILL REPLACE PANEL EA FOR F.D.P. #1 TO RM. #22 AND TERMINATE WITH APPROPRIATE JCT. BOX. THIS FEEDER IS FOR THE FUTURE 3Φ PANEL WHICH WILL REPLACE PANEL EB.

NOTES; "GROUND FLOOR PLAN"

- JCT. BOX @ +7'-0" ABOVE GROUND FLOOR LINE FOR THE 120V. CIRCUIT TO SERVE THE ELEVATOR CAR LIGHTS AND CONTROLS. VERIFY LOCATION WITH ELEVATOR MANUFACTURER.
- JCT. BOX FOR DICTAPHONE FROM THIS JCT. BOX RUN A 1/2" EMPTY CONDUIT TO CENTER OF ROOM AT CEILING AND TERMINATE WITH JCT. BOX ALSO RUN A 1/2" EMPTY CONDUIT TO EAST WALL AND TERMINATE WITH JCT. BOX AT A 16" ABOVE GROUND FLOOR. VERIFY ALL LOCATIONS WITH OWNER.
- PROVIDE 120V. CONNECTION FROM JCT. BOX TO MORGUE RE-FUNIT AS REQUIRED.
- PROVIDE A INDICATING LOCK SWITCH FOR DOOR TO X-RAY AND PHARMACY STOR. #33 CONNECT THE SWITCH TO THE ALARM BELLS LOCATED IN THE CHEMISTRY LAB. #29 DOOR ON SECOND FLOOR. SEE SPEC.
- 120V. 1Φ 3WIRE GROUNDING TYPE OUTLET SHALL BE HUNG FROM THE CEILING WITH A 2" LONG PENDANT WEATHER PROOF COED. VERIFY EXACT LOCATION WITH OWNER.
- CONNECT THE EXIST. PANEL - EA IN CLINIC STOR. #29 CIRCUITS #2, #4, #5, #6, #8, #12, #15 ARE EXIST. CIRCUITS THAT ARE USED FOR EXIST. EQUIP. THAT IS GOING TO BE DISCONNECTED AND REMOVED UNDER THIS CONTRACT. THESE CIRCUITS SHALL BE USED FOR THE NEW WORK AS NOTED AND REQUIRED. WIRES FOR THE EXIST. BRK. CAN BE REMOVED IF NOT USED FOR A 200AMP BRK. FOR EA CIRCUIT. CIRCUITS #22, #25 & #29 ARE EXIST. SPACES, USE IF REQUIRED.

BOARD OF CONTROL OF STATE INSTITUTIONS STATE OFFICE BUILDING DES MOINES, IOWA JIM D. HENRY CHAIRMAN CARROLL PRICE MEMBER RUSSELL L. WILSON MEMBER	RECONDITIONING OF PINEHURST INFIRMARY WOODWARD STATE HOSPITAL & SCHOOL WOODWARD	DATE: 12-1-64 DRAWING:
		FRANK N. BUNKER ARCHITECT FRANK PULLEY ASSOCIATES <small>1110 UNIVERSITY BLVD., DES MOINES, IOWA 50319</small>
GROUND FLOOR PLAN ELECTRICAL		OF 3 SHEETS E-1 42-B-3a

NEW PANELS - LA AND LB SCHEDULES

PANEL-LA

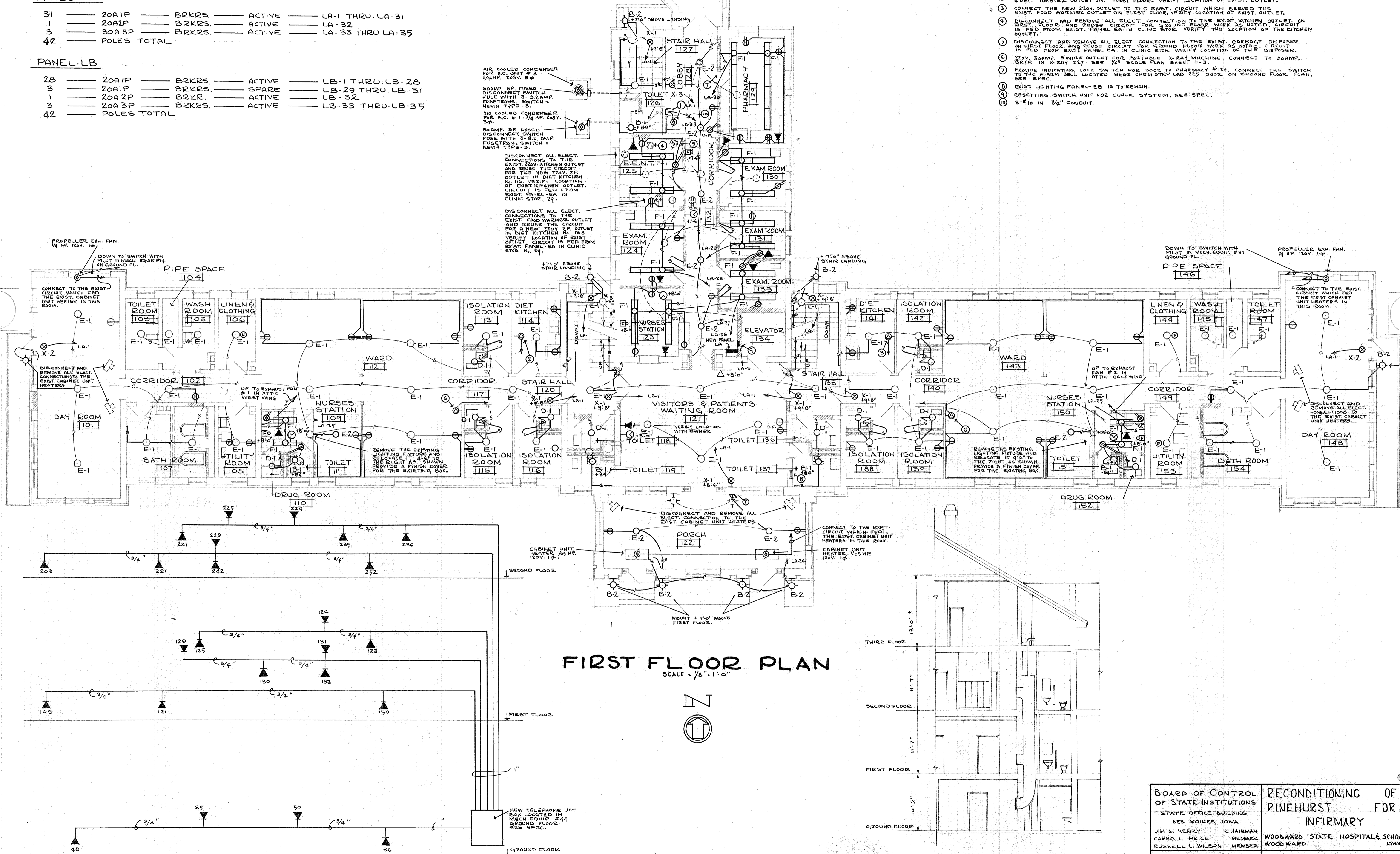
31	20A1P	BRKRS.	ACTIVE	LA-1 THRU. LA-31
1	20A2P	BRKRS.	ACTIVE	LA-32
3	30A3P	BRKRS.	ACTIVE	LA-33 THRU. LA-35
42	POLES TOTAL			

PANEL-LB

28	20A1P	BRKRS.	ACTIVE	LB-1 THRU. LB-28
3	20A2P	BRKRS.	SPARE	LB-29 THRU. LB-31
1	20A2P	BRKR.	ACTIVE	LB-32
3	20A3P	BRKRS.	ACTIVE	LB-33 THRU. LB-35
42	POLES TOTAL			

NOTES;

- AC UNIT #1. PROVIDE A 30AMP 3P. FUSE DISCONNECT SWITCH FUSED WITH 3-20AMP. FUSETRONS. LOAD = 4.4KW.
- CONNECT THE NEW 220V. OUTLET TO THE EXIST. CIRCUIT WHICH SERVED THE EXIST. TOASTER OUTLET ON FIRST FLOOR. VERIFY LOCATION OF EXIST. OUTLET.
- CONNECT THE NEW 220V. OUTLET TO THE EXIST. CIRCUIT WHICH SERVED THE EXIST. FOOD WARMER OUTLET ON FIRST FLOOR. VERIFY LOCATION OF THE EXIST. OUTLET.
- DISCONNECT AND REMOVE ALL ELECT. CONNECTION TO THE EXIST. KITCHEN OUTLET ON FIRST FLOOR AND REUSE CIRCUIT FOR GROUND FLOOR WORK AS NOTED.
- DISCONNECT AND REMOVE ALL ELECT. CONNECTION TO THE EXIST. GARBAGE DISPOSER IN CLINIC STOR. VERIFY LOCATION OF THE DISPOSER. IS FED FROM EXIST. PANEL EA IN CLINIC STOR. VERIFY THE LOCATION OF THE KITCHEN OUTLET.
- 220V. 30AMP. SWIVE OUTLET FOR PORTABLE X-RAY MACHINE. CONNECT TO 30AMP. BRKR. IN X-RAY ST. SEE 7/8" SCALE PLAN SHEET E-3.
- PROVIDE INDICATING LOCK SWITCH FOR DOOR TO PHARMACY #129. CONNECT THE SWITCH TO THE ALARM BELL LOCATED NEAR CHEMISTRY LAB 225 DOOR ON SECOND FLOOR PLAN. SEE SPEC.
- EXIST. LIGHTING PANEL-EB IS TO REMAIN.
- RESETTING SWITCH UNIT FOR CLOCK SYSTEM. SEE SPEC.
- 3 #10 IN 3/4" CONDUIT.



FIRST FLOOR PLAN
SCALE: 1/8" = 1'-0"

SEC. AT LAUNDRY CHUTE
SCALE: 3/8" = 1'-0"

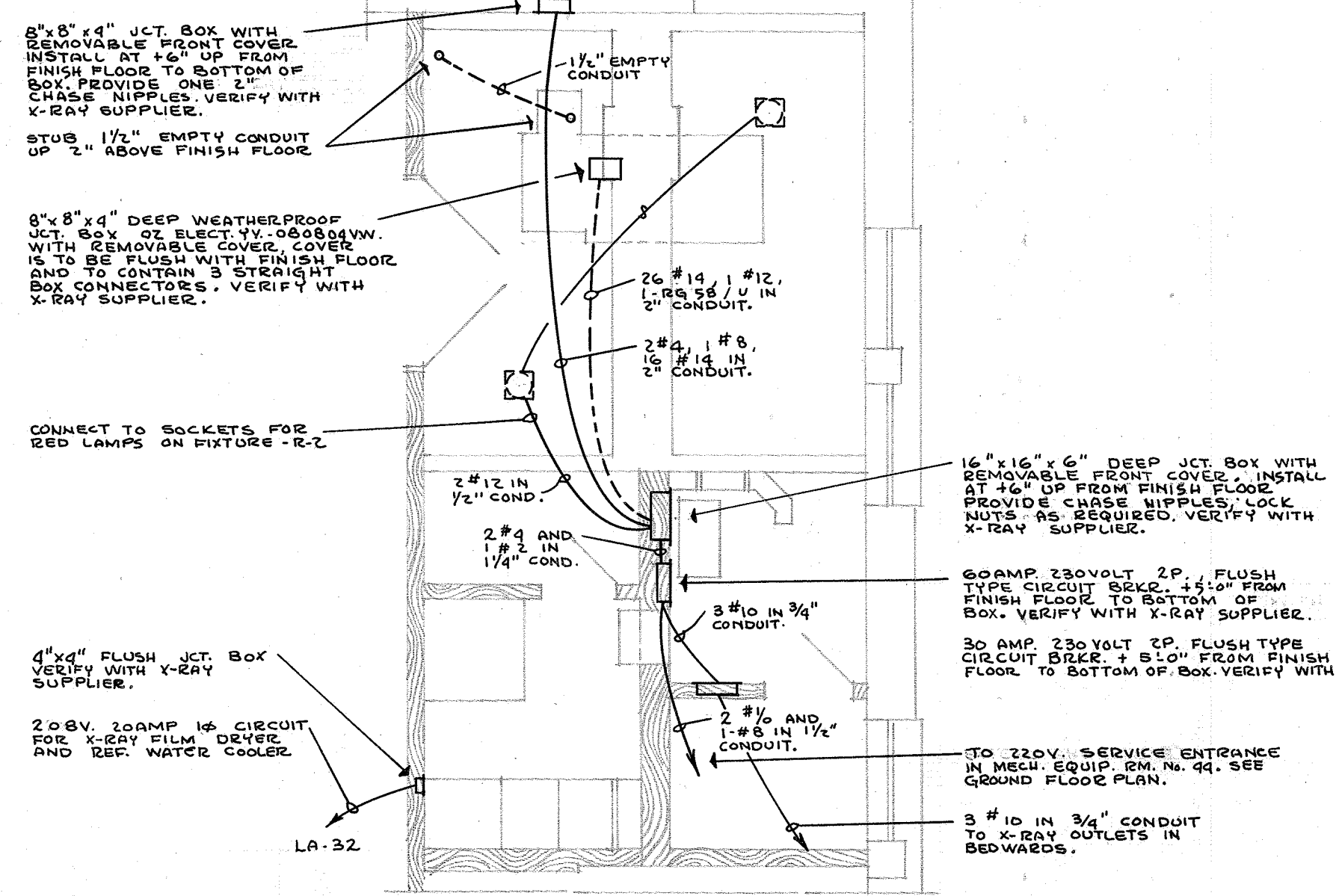
TELEPHONE RISER DIAGRAM
NOT TO SCALE

BOARD OF CONTROL OF STATE INSTITUTIONS STATE OFFICE BUILDING DES MOINES, IOWA		RECONDITIONING OF PINEHURST INFIRMARY	DATE 12-1-64 DRAWINGS
JIM S. HENRY CHAIRMAN	CARROLL PRICE MEMBER	WOODWARD STATE HOSPITAL & SCHOOL WOODWARD	E-2
FRANK N. BUNKER ARCHITECT	RUSSELL L. WILSON MEMBER	FIRST FLOOR PLAN ELECTRICAL	
FRANK PULLEY ASSOCIATES CONSULTING ENGINEERS 307 SEVENTH ST. DES MOINES, IOWA 50319			OF 3 SHEETS

42-39-A

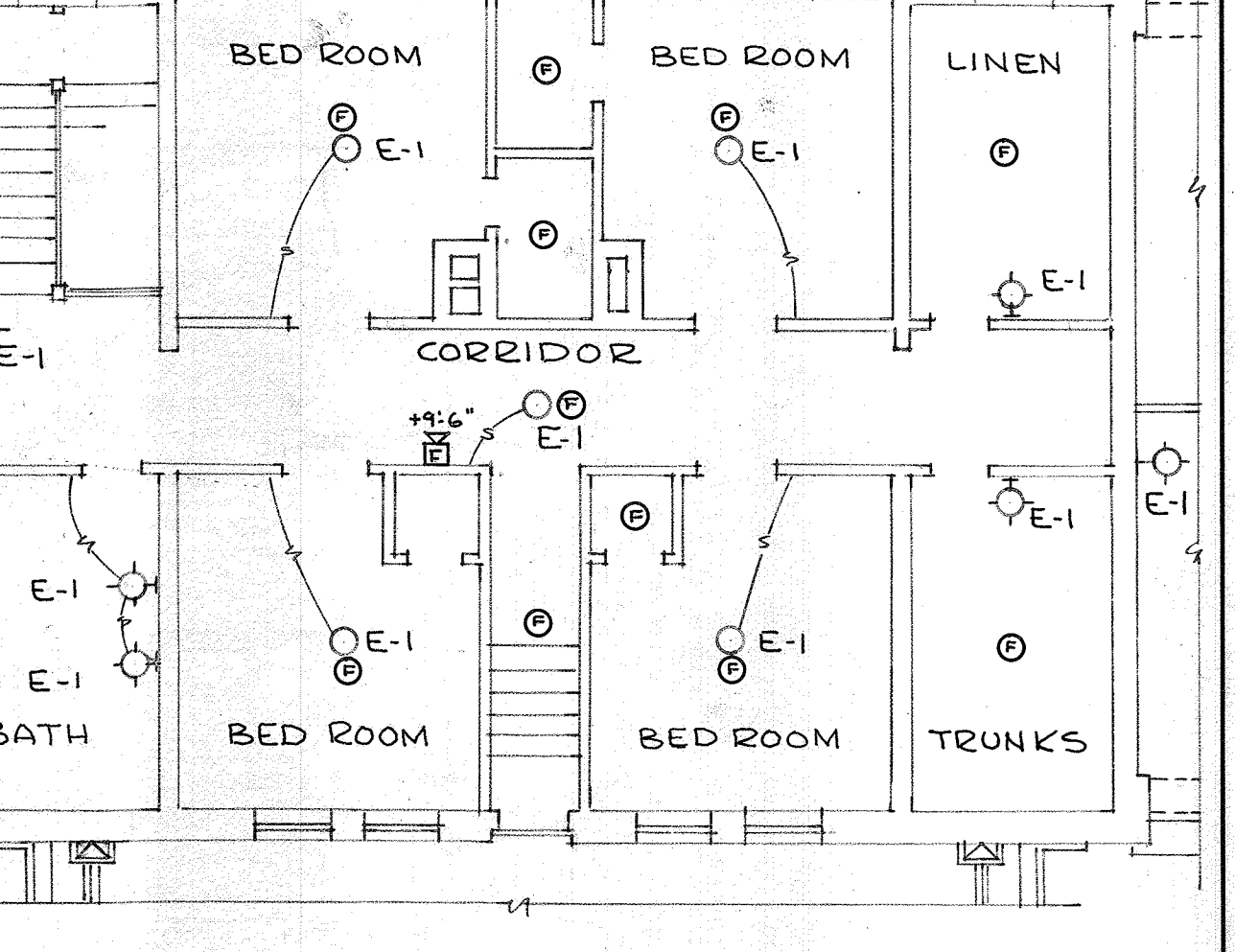
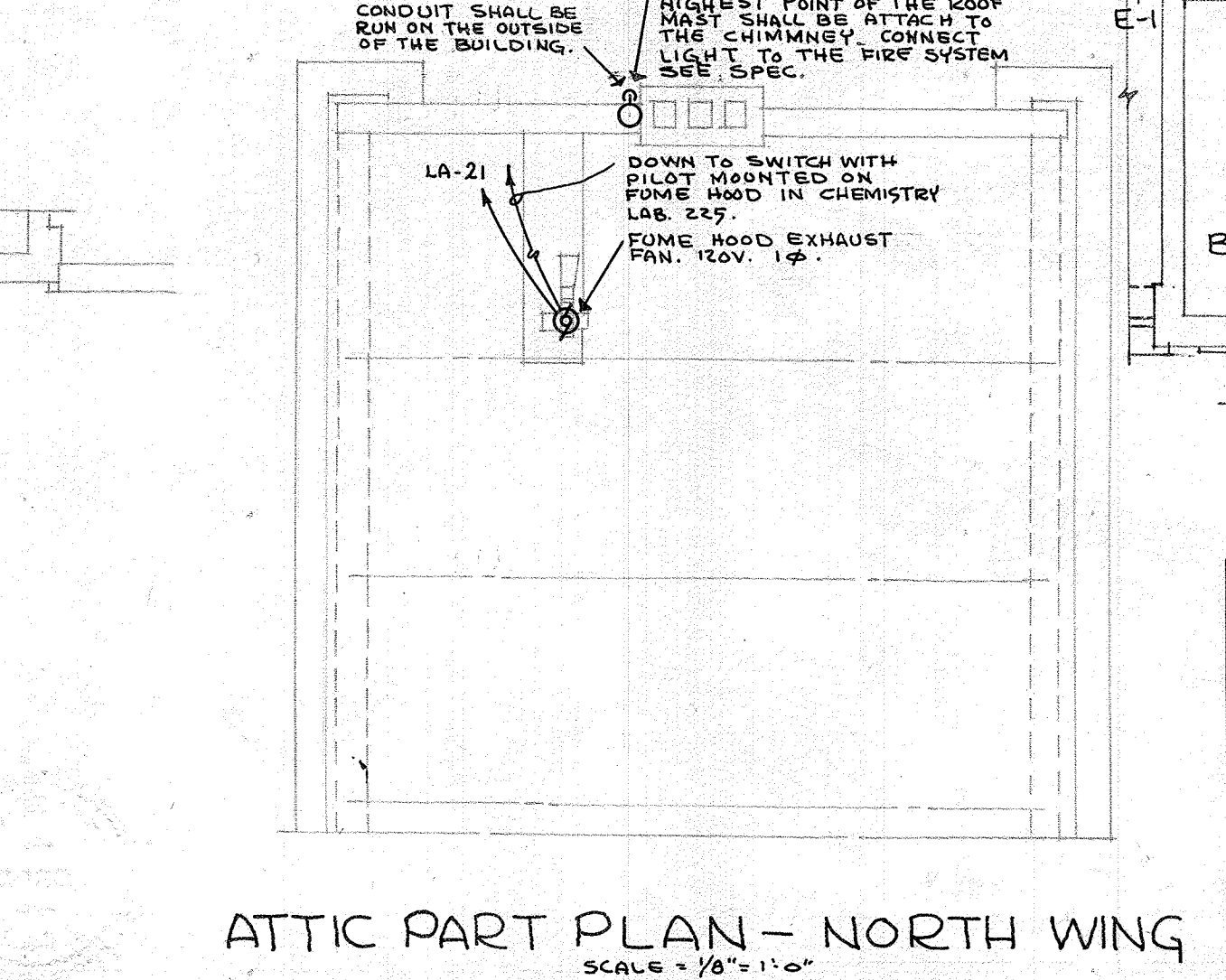
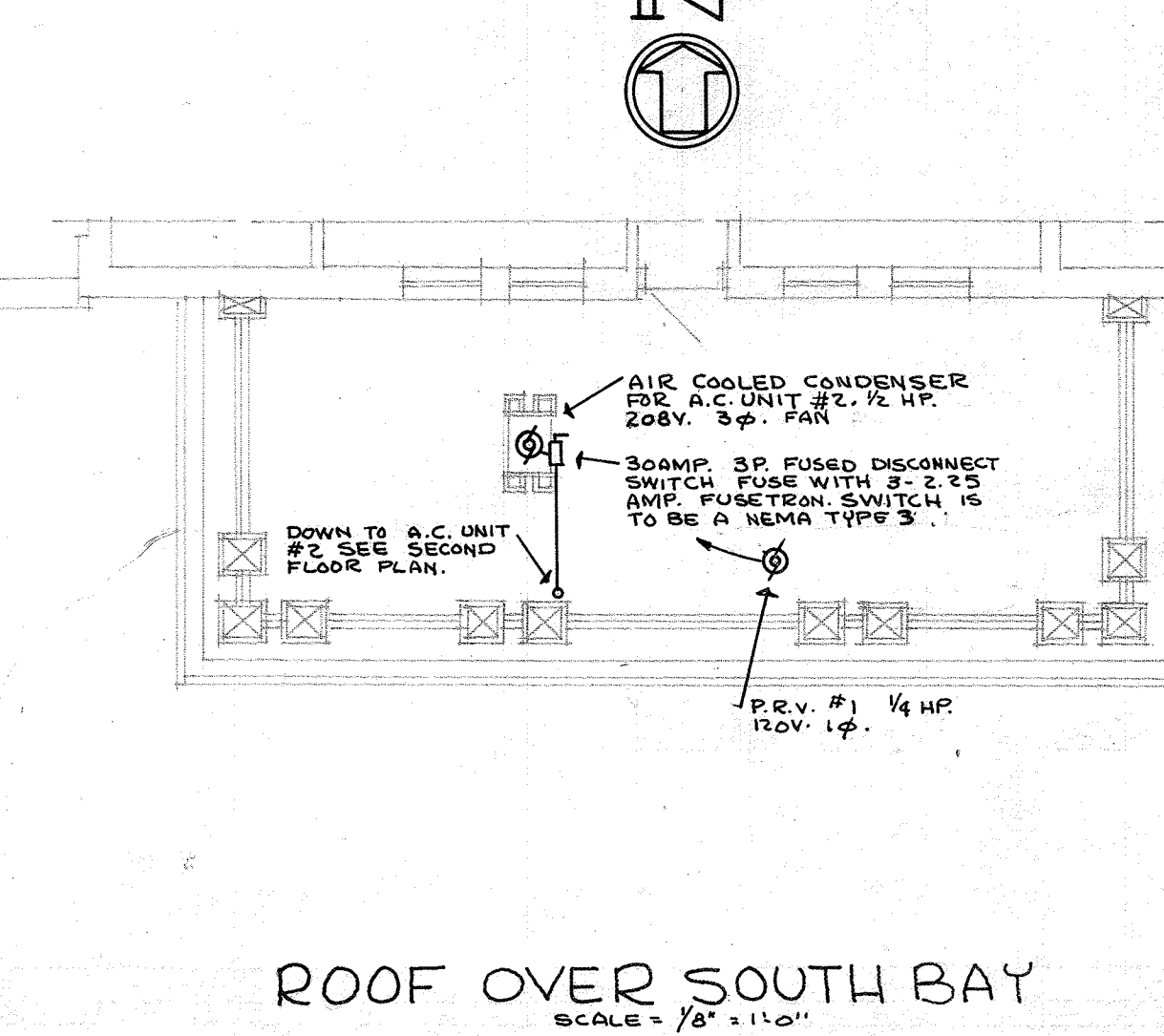
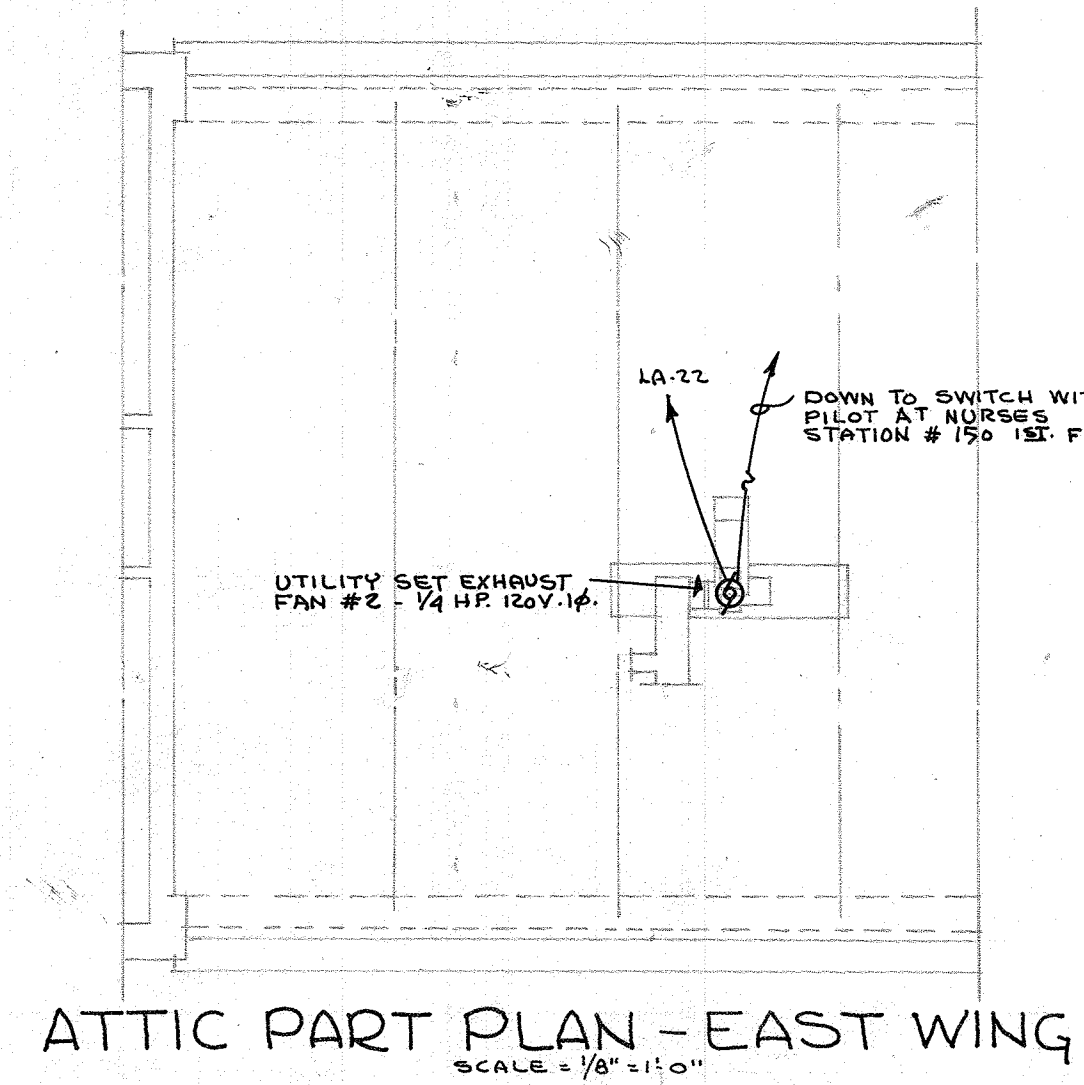
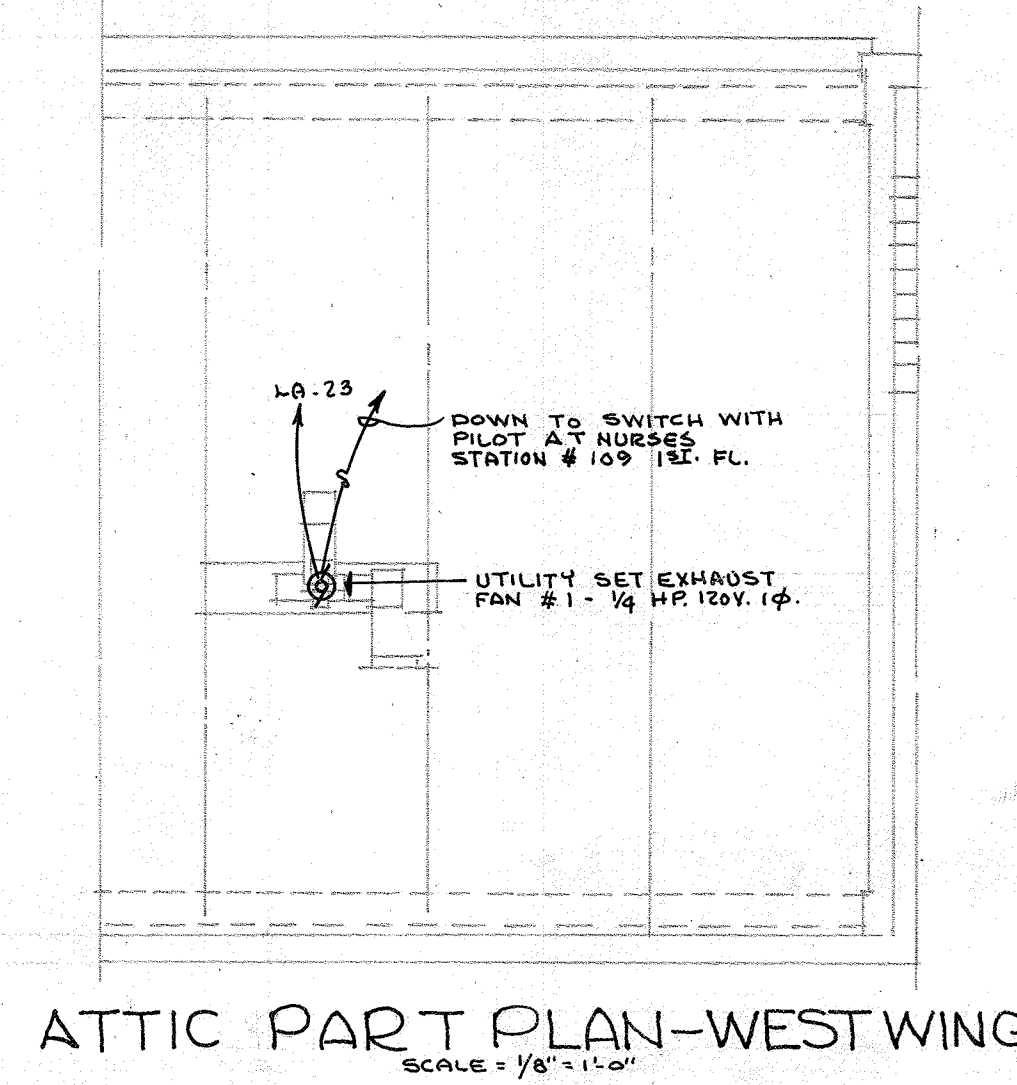
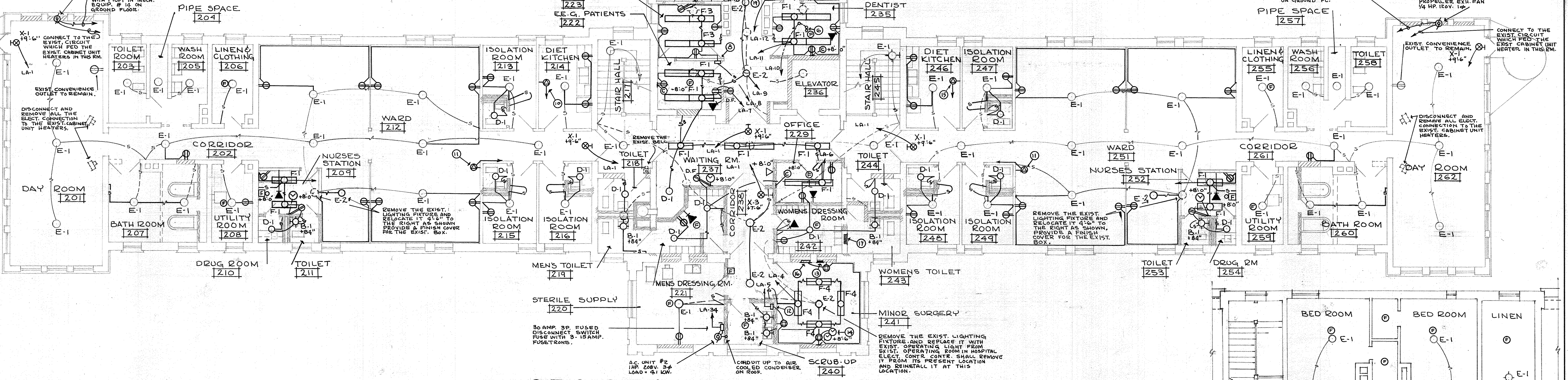
NOTES;

- ① OUTLET FOR CENTRIFUGE - 3/4 H.P. 120V. 1φ.
- ② PROVIDE CONNECTION FROM JCT. BOX TO FUME HOOD LIGHT.
- ③ OUTLET FOR REF. 120V. 1φ.
- ④ CONNECT SWITCH LEG TO SOCKET WITH RED LAMP.
- ⑤ SAFE LIGHT IS TO BE FURNISHED TO THE ELECTRICAL CONTR. BY THE HOSPITAL ELECTRICAL CONTR. IS TO INSTALL IT AS SHOWN.
- ⑥ PROVIDE A 120V. 1φ TO DENTIST CHAIR LOCATION TERMINATE CIRCUIT WITH BUSHED CONDUIT AND GROUND JCT. BOX AS REQUIRED FROM THIS LOCATION PROVIDE A LOOP OF BUSHED END OF JCT. BOX TO THE LOCATION OF THE CHAIRS SHAFT AND TERMINATE LOCATION WITH HOSPITAL.
- ⑦ CONNECT DRUG ALARM BELLS TO INDICATING LOCK SWITCH LOCATED AT DOOR TO PHARMACY #129 AND AT DOOR TO X-RAY AND PHARMACY STOR. 33. SEE DRUG ALARM IN SPEC. CONNECT TO CCT. - LA-2.
- ⑧ ISOLATING TRANSFORMER No. 1, SERVES OUTLETS IN E.G. 233 AS SHOWN. MOUNT AT 18"0".
- ⑨ DISCONNECT THE TWO EXIST. 220V. TOSTER OUTLET AND GROUND CIRCUIT FOR THE NEW 220V. 20AMP. OUTLET IN DIET KITCHEN No. 2. CIRCUIT IS FED FROM EXIST. PANEL EA IN CLINIC STOR. No. 29.
- ⑩ CONNECT THE NEW 220V. 20AMP. OUTLET TO THE EXIST. 220V. CIRCUIT AS NOTED IN CHEMISTRY LAB. 225.
- ⑪ 220V. 30AMP. SWIRE OUTLET FOR PORTABLE X-RAY MACHINE. CONNECT TO 30AMP. BREAKER IN X-RAY 227. SEE 1/4" SCALE X-RAY PLAN.
- ⑫ ISOLATING TRANSFORMER No. 2, SERVES OUTLETS IN MINOR SURGERY 241 AS SHOWN.
- ⑬ GROUND DETECTOR MOUNTED @ 5'6" SEE SPEC.
- ⑭ ELAPSED TIME INDICATOR WITH CLOCK INSTALL ADJACENT TO IT. PROVIDE A SWITCH WITH PILOT FOR ELAPSED TIME INDICATOR. SEE SPEC.
- ⑮ CONNECT THE NEW 220V. 20AMP. OUTLET TO THE EXIST. DUMBWAITER OUTLET IN CHEMISTRY LAB. 225.
- ⑯ FILM ILLUMINATOR SEE SPEC.
- ⑰ EXIST. LIGHTING PANEL - EC TO REMAIN.
- ⑱ DISCONNECT AND REMOVE ALL THE ELECT. CONNECTION TO ALL EXIST. KITCHEN EQUIP. VERIFY LOCATIONS. EXIST. EQUIP. IS BEING FED FROM EXIST. PANEL EA IN CLINIC STOR. 29. DISCONNECT CIRCUITS FROM PANEL EA AND RUN NEW CIRCUIT AS NOTED FOR NEW WORK IN GROUND FLOOR. SEE NOTE #6 FOR GROUND FLOOR ON SHEET # E-1.
- ⑳ DISCONNECT AND REMOVE ALL ELECTRICAL CONNECTION TO EXIST. UNIT HEATER.



X-RAY PLAN
SCALE: 1/4" = 1'-0"

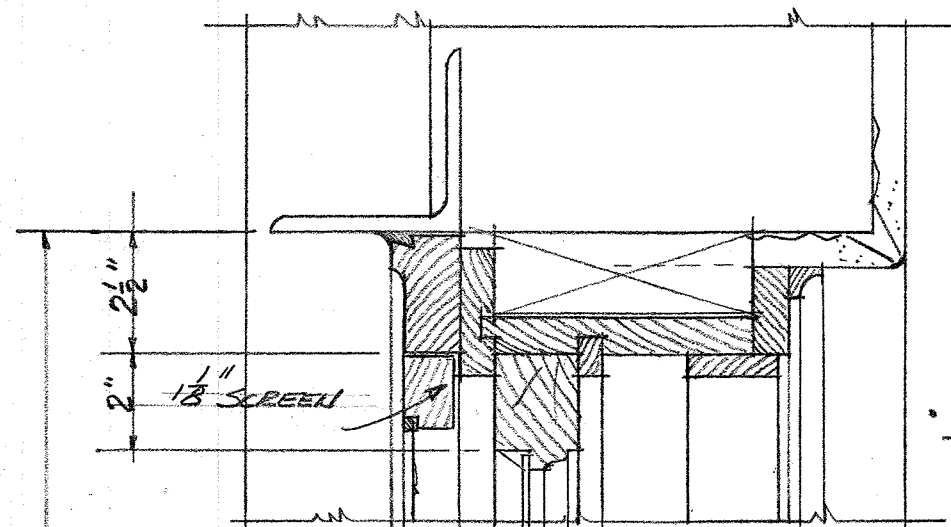
SECOND FLOOR PLAN
SCALE: 1/8" = 1'-0"



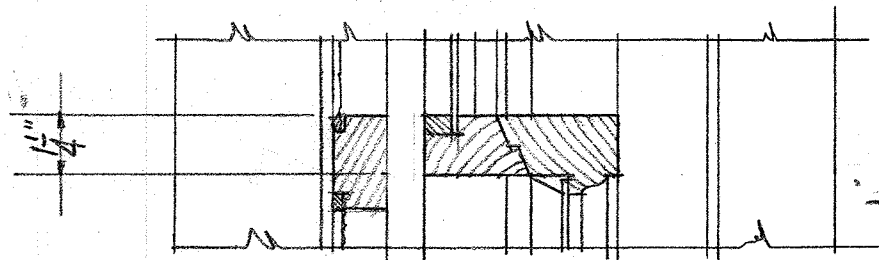
THIRD FLOOR PLAN
SCALE: 1/8" = 1'-0"

BOARD OF CONTROL OF STATE INSTITUTIONS STATE OFFICE BUILDING DES MOINES, IOWA	RECONDITIONING OF PINEHURST INFIRMARY FOR	DATE
		12-1-64
FRANK N. BUNKER ARCHITECT	SECOND FLOOR PLAN ELECTRICAL	DRAWING
		E-3
FRANK PULLEY ASSOCIATES CONSULTING ENGINEERS 1000 W. 11TH ST. DES MOINES, IOWA		OF 3 SHEETS

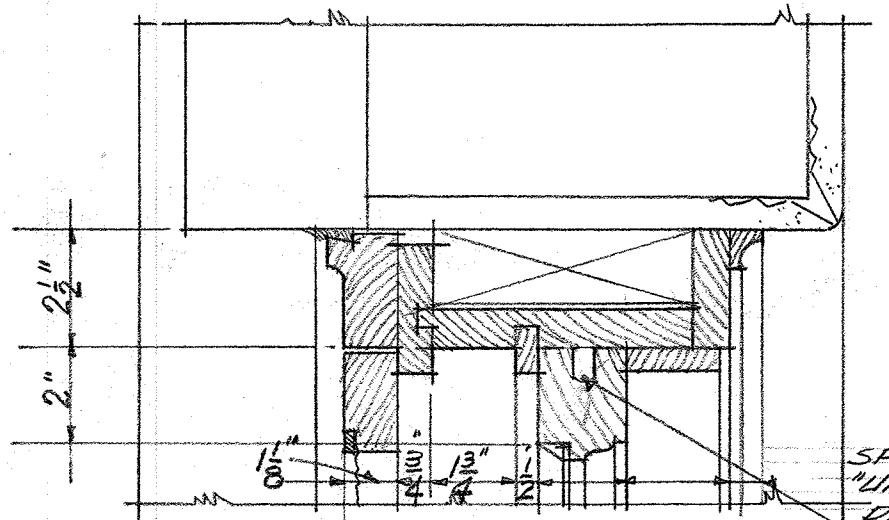
39.4



HEAD SECTION

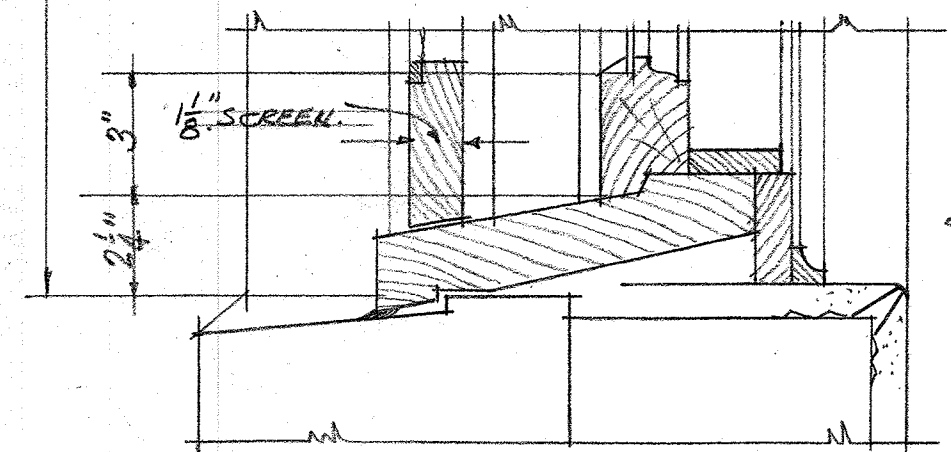


MEETING RAIL



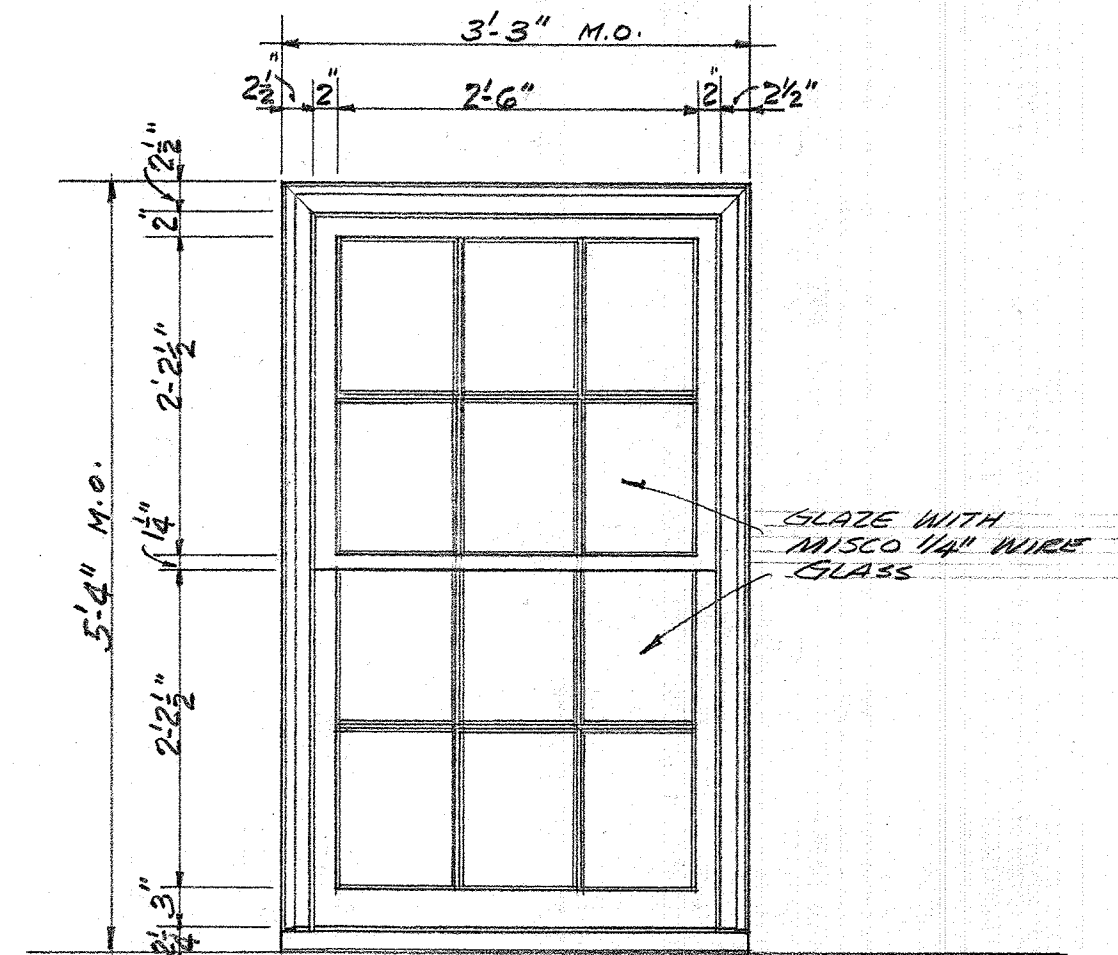
JAMB

SPIRAL SASH BALANCES
"UNIQUE" OR EQUAL SIZED
PROPERLY FOR SASH



SILL

SCALE - 3" = 1'-0"



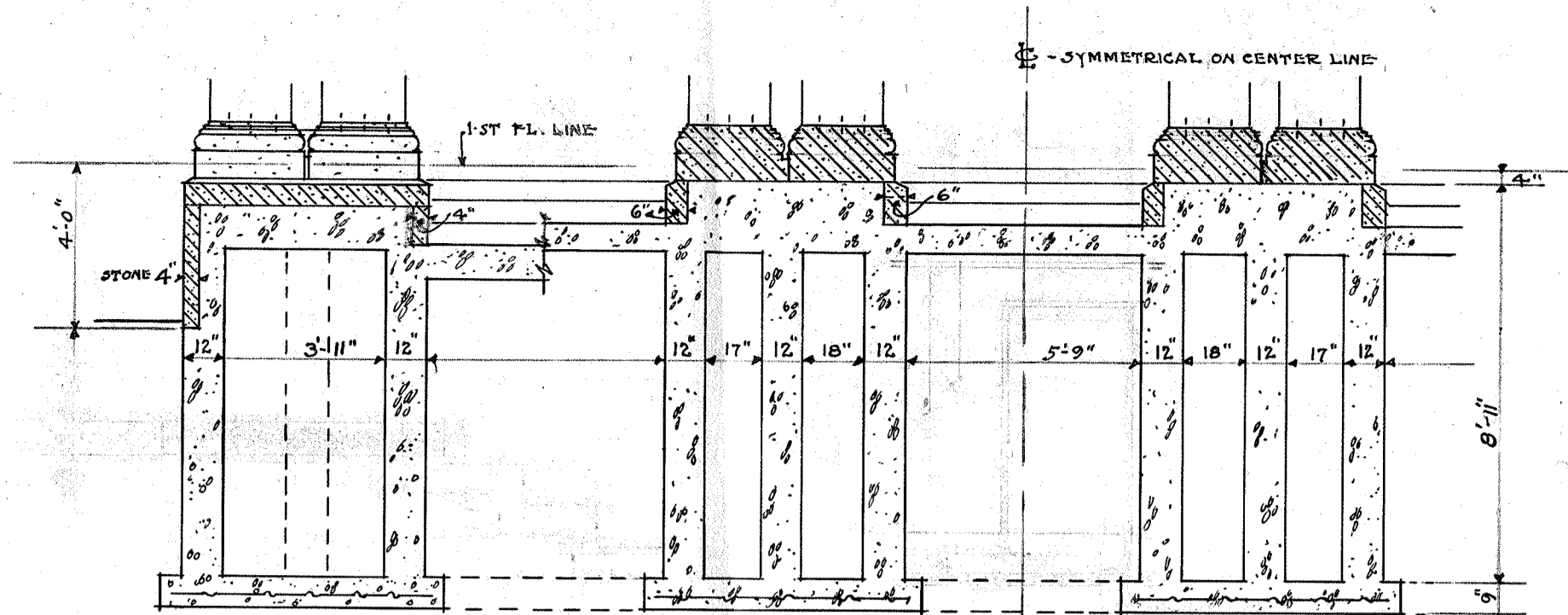
14 WINDOWS THUS

SCALE - 3" = 1'-0"

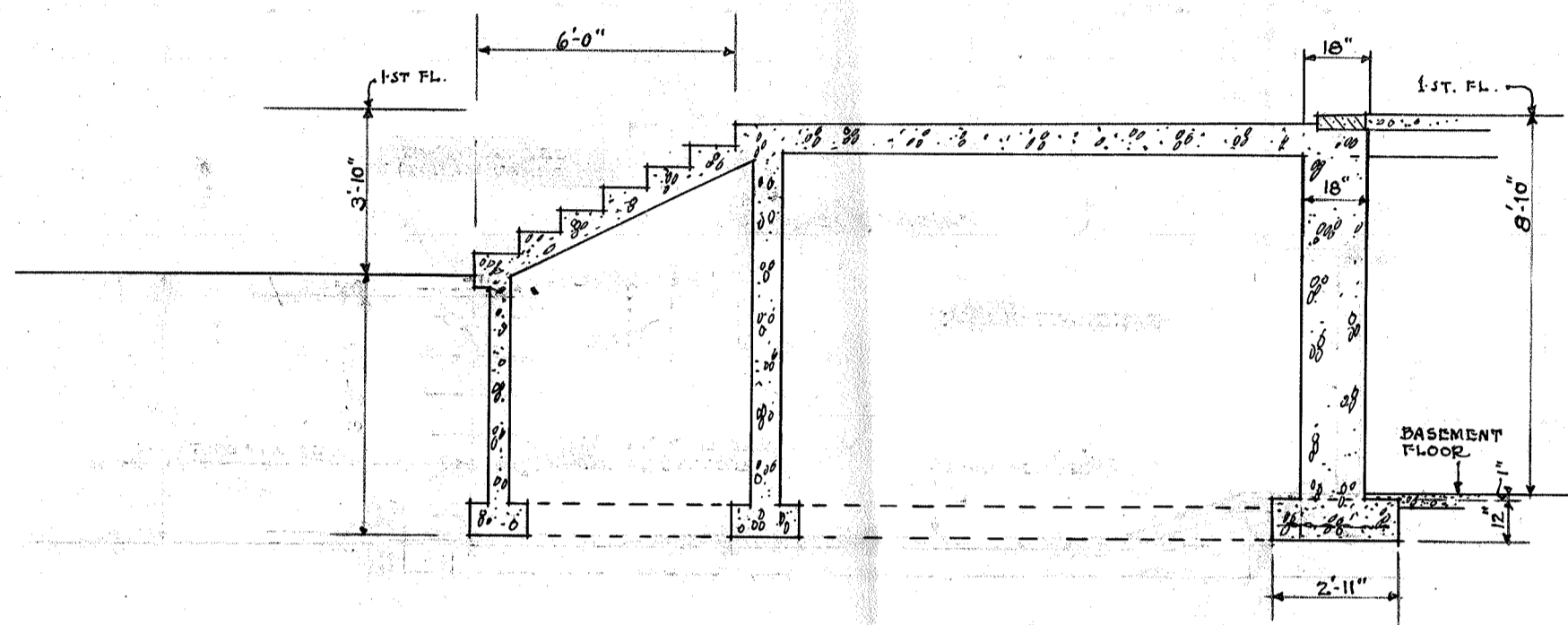
SPECIFICATIONS-

1. EACH WINDOW UNIT SHALL BE MILL CONSTRUCTED AND GLAZED READY FOR INSTALLATION IN THE EXISTING OPENINGS BY THE INSTITUTION.
2. EACH WINDOW SHALL BE FURNISHED COMPLETE WITH "UNIQUE" OR EQUAL SPIRAL SASH BALANCES, 1 FORGED BRASS LOCK, TWO FORGED BRASS LIFTS AND COPPER INTERLOCKING WEATHERSTRIPPING.
3. ALL UNITS SHALL BE MILL PRIMED THROUGHOUT WITH LEAD & OIL PRIMER.
4. PROVIDE FULL SIZE EXTERIOR SCREENS WITH 18X14 BRONZE INSECT SCREENING.

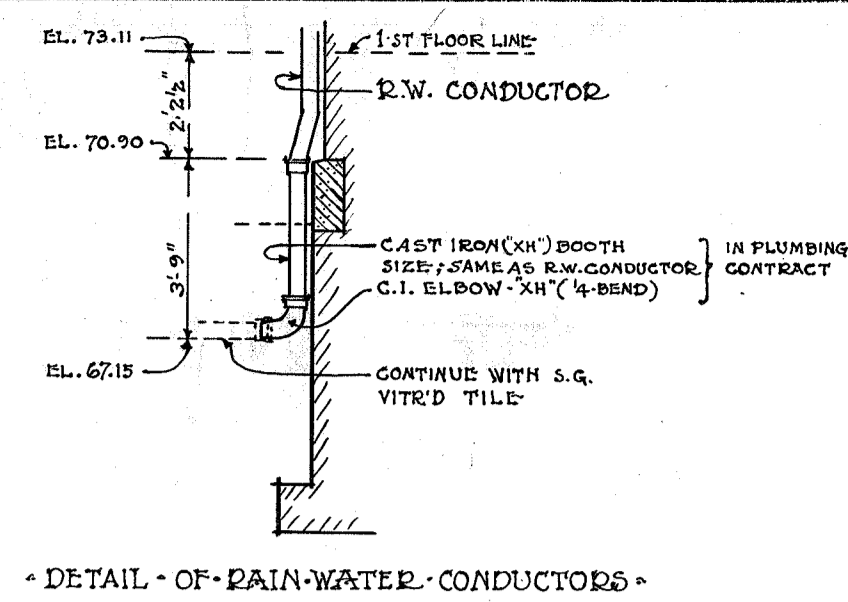
BOARD OF CONTROL OF STATE INSTITUTIONS STATE OFFICE BUILDING DES MOINES, IOWA WALTER Z. CONWAY CHAIRMAN JIM O. HEURY MEMBER CARROLL PRICE MEMBER	<u>WINDOW REPLACEMENT</u>	DATE 1-15-62
	<u>PINEHURST COTTAGE</u> STATE HOSPITAL & SCHOOL WOODWARD IOWA	DRAWING 1 OF 1
FRANK BUNKER ARCHITECT		



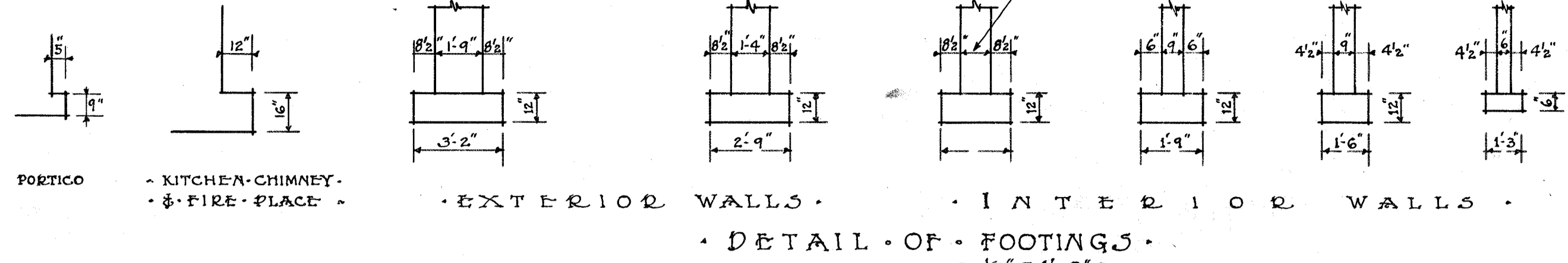
SECTION Y-Y
1/4" = 1'-0"



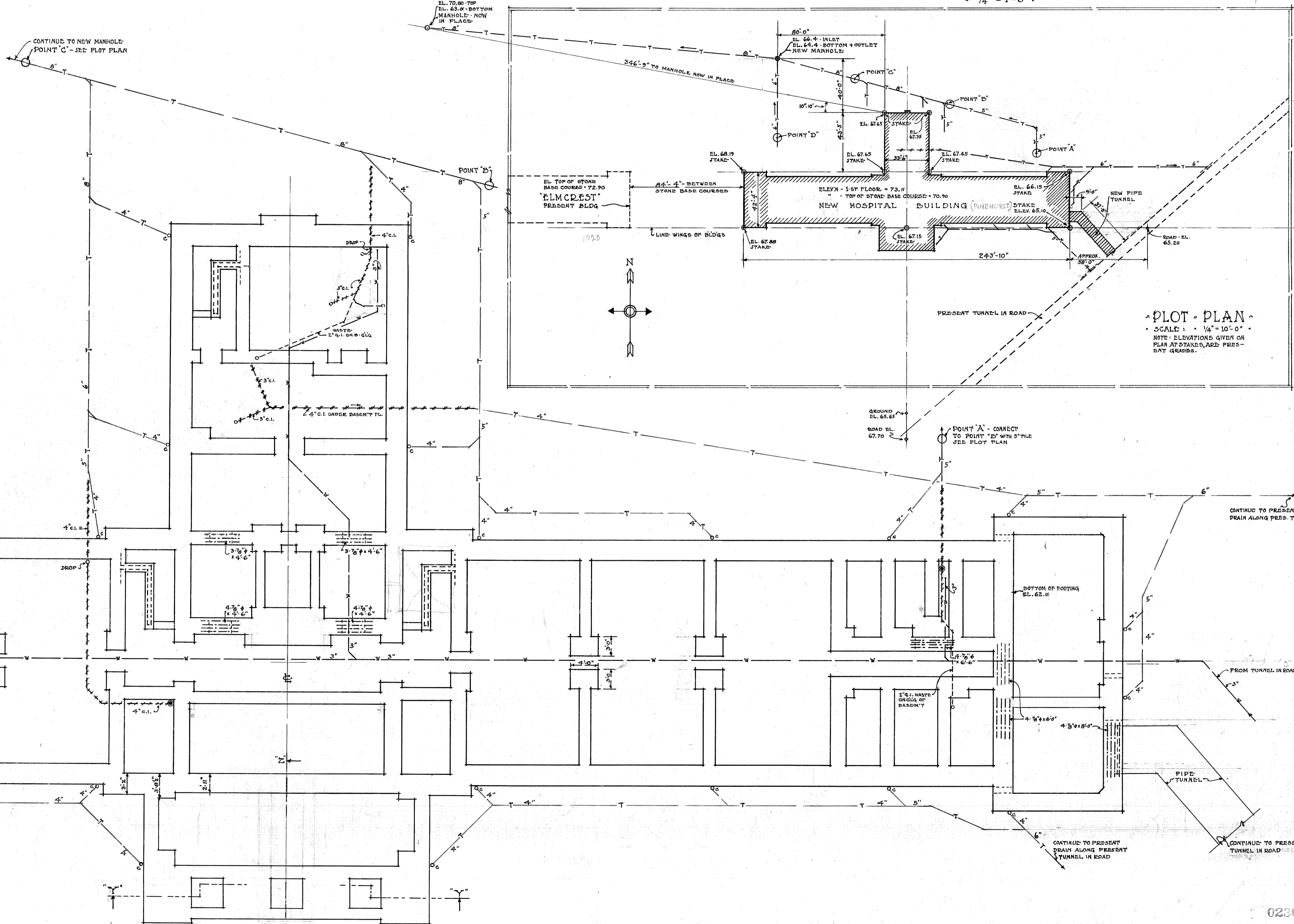
SECTION Z-Z
1/4" = 1'-0"



DETAIL OF RAIN-WATER CONDUCTORS



PORTICO - KITCHEN CHIMNEY - FIRE PLACE - EXTERIOR WALLS - INTERIOR WALLS - DETAIL OF FOOTINGS - 1/4" = 1'-0"



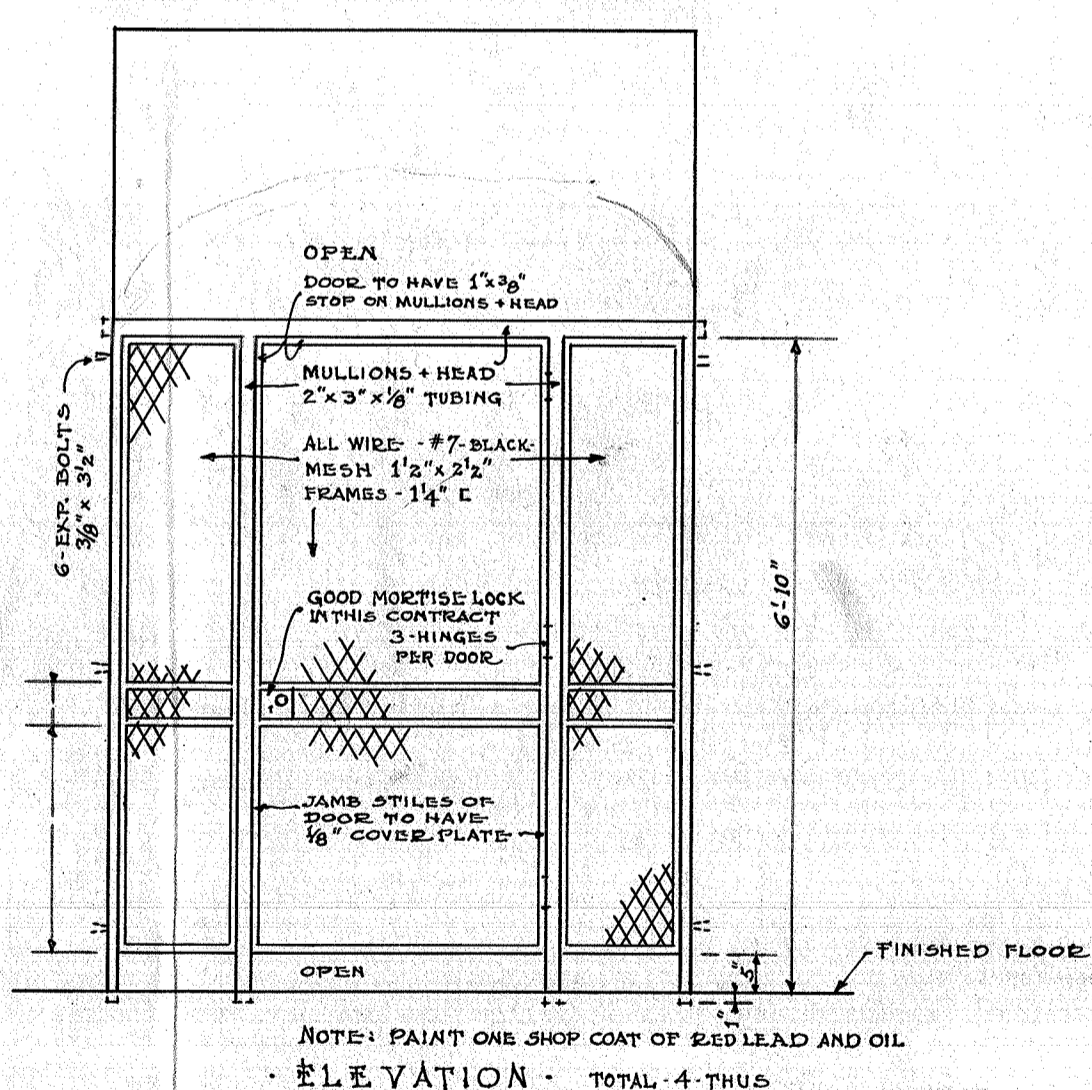
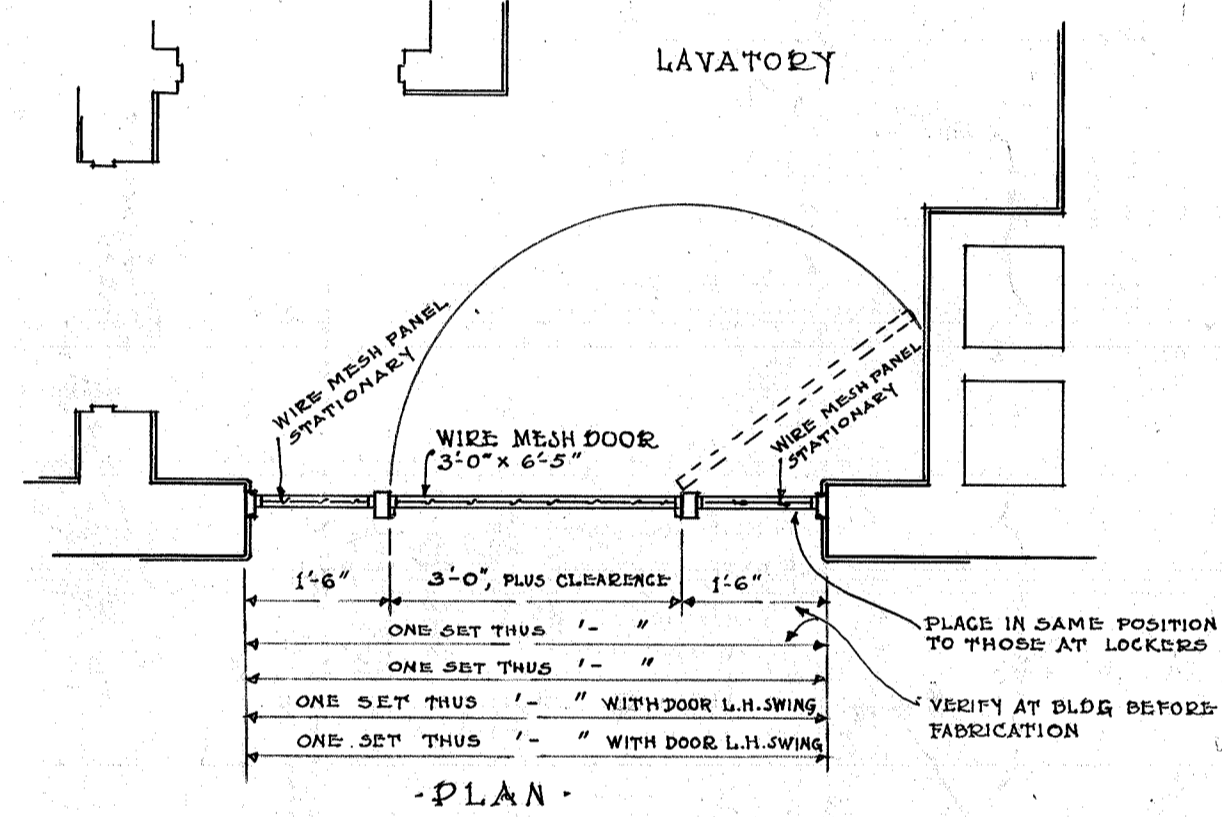
PLOT PLAN
SCALE: 1/4" = 10'-0"
NOTE: ELEVATIONS GIVEN ON PLAN AT STAKES ARE PRESENT GRADERS

NOTE: BOTTOMS OF FOOTINGS NOT OTHERWISE NOTED OR SHOWN TO BE AT AN ELEVATION OF 65.11

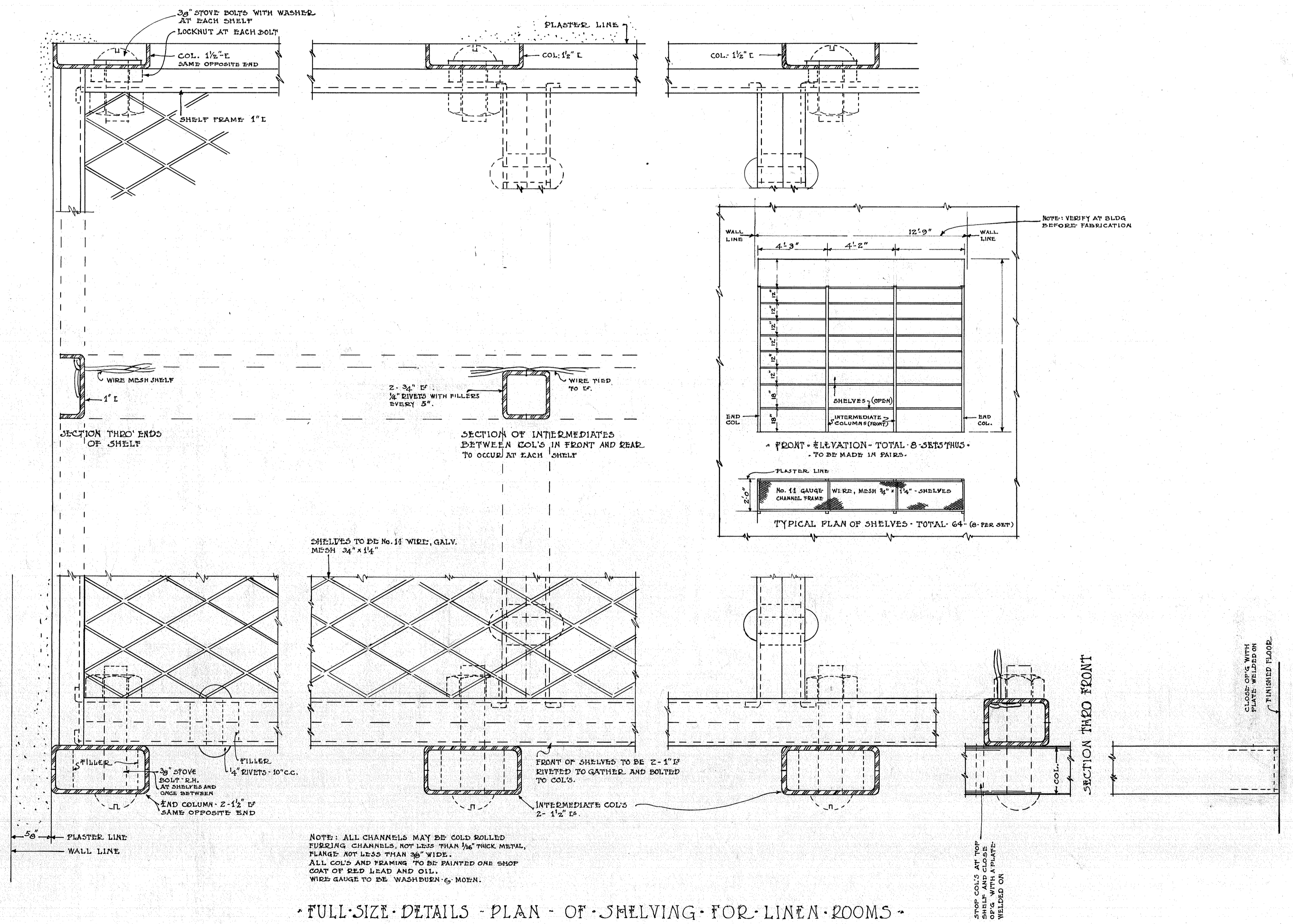
- PIPING SYMBOLS
- CAST IRON SOIL PIPE - UNDER GROUND
 - CAST IRON SOIL PIPE - ON CEILING
 - CAST IRON WATER MAIN
 - S.P. SOIL PIPE STACK
 - V. VENT STACK
 - F.D. FLOOR DRAIN
 - R.W. RAIN WATER CONDUCTOR
 - DRINKING FOUNTAIN
 - VITREOUS TILE SEWER
- FOR SOIL STACKS AND DIAGRAMS SEE SHEET #3

FOOTING PLAN
SCALE: 1/8" = 1'-0"

<p>APPROVED</p> <p>AUG 8 1925</p> <p>BOARD OF CONTROL</p>	<p>HOSPITAL BUILDING & (PINE HURST)</p> <p>HOSPITAL FOR EPILEPTICS & SCHOOL FOR FEIBLE MINDED</p> <p>WOODWARD IOWA</p>		<p>0230</p> <p>THIS SET CONSISTS OF 12 SHEETS</p> <p>DATE 8-1-25</p>
	<p>DR. M. N. VOLDENG - SUPERINTENDENT</p> <p>H. F. LIEBEE - STATE ARCHITECT</p>	<p>BOARD OF CONTROL</p> <p>J. B. BUTLER - CHAIRMAN</p> <p>J. H. STRIEF</p> <p>A. M. MC COLL</p>	



DETAIL OF WIRE MESH PARTITION AT LAVATORIES - SCALE: 1/2" = 1'-0"



FULL-SIZE DETAILS - PLAN - OF SHELVING FOR LINEN ROOMS

HOSPITAL BLDG
WOODWARD IOWA
H. E. LIEBDE STATE ARCHT
12-25-25

0248