



March 8, 2023

Division of Soil Conservation and Water Quality  
502 East 9<sup>th</sup> Street  
Des Moines, IA 50319

TO: Prospective Bidders

Subject: **Addendum No. 1** to Bid Documents  
Bla871419B Nutrient Reduction Wetland Project – Bid No. 23-02  
Blackhawk County, Iowa

This addendum forms a part of the bidding contract documents and modifies the original bidding documents dated March 2023. **This addendum must be acknowledged on page CC-2 of Document CC – Proposal and Schedule of Prices. FAILURE TO DO SO WILL SUBJECT BIDDER TO DISQUALIFICATION.**

**Description:**

**Specification IA CS-045 – Plastic (PVC, PE) Pipe – Modify Paragraph**

8.B 1. Bid Item 11

The last paragraph shall read as follows:

“Measurement and payment for PVC or PE pipe shall on an installed linear foot basis, and shall include all necessary fitting and adapters, elbows, trash guards, rodent guards, watertight joints, **anti-seep collars**, excavation and backfill.”

**Plan Sheet 6**

Replace with the attached Sheet 6 that shows one 60-inch by 60-inch anti-seep collar near the center of each dike around the 12-inch PVC pipe.

**Plans Sheets 17 and 18**

The call out for shown on the Plan View (Longitudinal Seam) in the upper left-hand corner should be changed from “4 ft width of synthetic turf reinforcement mat” to “2 ft width of synthetic reinforcement mat”.

**Plan Sheet 26**

The attached plan sheet provides the details of the anti-seep collars.

Sincerely,

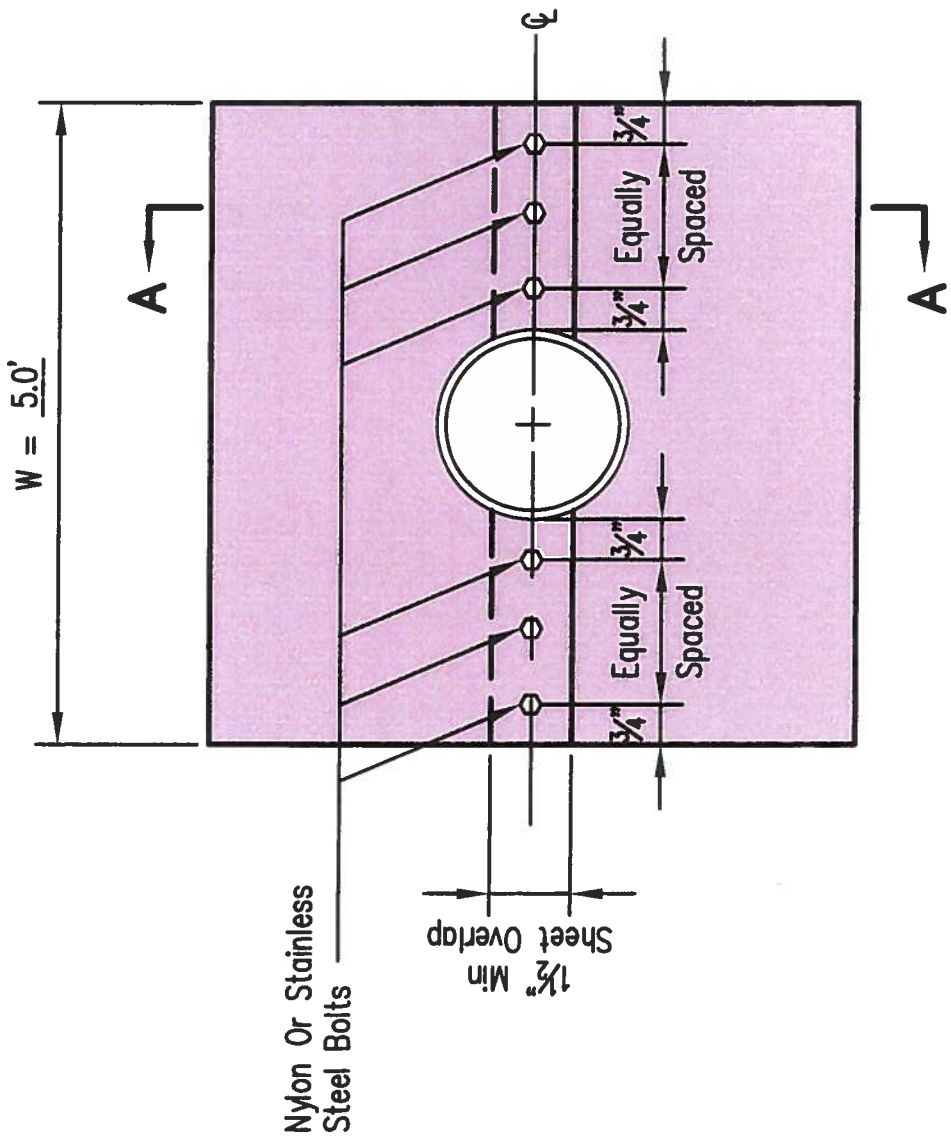
Michael L. Bourland, P.E.  
Water Resources Bureau

MLB

Attachment No. 1 – Revised Plan Sheet 6 and New Plan Sheet 26

End of Addendum No. 1



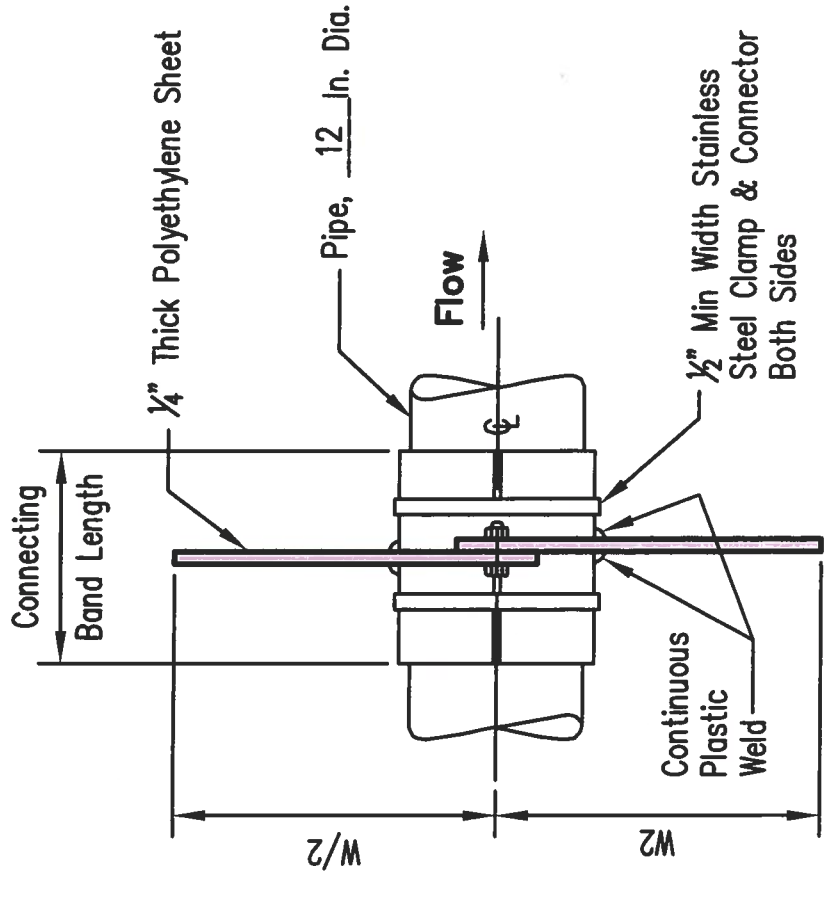


Independent

**ELEVATION**

**NOTES:**

1. Pipe, connecting band and seam coating can be either silicon caulk (recommended), or mastic (asphalt or tar based)
2. Apply silicon caulk, tar or mastic to bottom half of connecting band and lay pipe on connecting band.  
Apply silicon caulk or mastic to top half of collar and set in place, lining up bolt holes.
3. Install clamps on split halves of collar and tighten bolts and clamps.
4. Apply silicon caulk, tar or mastic on seams as needed to insure a good seal so that completed installation is watertight.
5. Backfill and hand tamp soil around completed installation.
6. Polyethylene antiseep collars can be used on corrugated and smooth PVC plastic, smooth steel and galvanized pipes.



**SECTION A-A**

**TABLE OF QUANTITIES**

W FEET	Polyethylene Sheet Sq. Ft.	Stainless Steel Clamp & Connector	Connecting Band Min Length	Bolts & Nuts 3/8" x 1"	No. Of Collars
3	9.5	2	6"	6	-
4	16.7	2	6"	6	-
5	25.8	2	8"	6	2
6	37.0	2	8"	6	-
<b>Totals</b>					

Adapted From Wisconsin Standard Drawing WI-246

Designed: Jeff A. Lutz 3/3/2023  
 Drawn: M. GUNONES 11/1/13  
 Checked: \_\_\_\_\_  
 Approved: \_\_\_\_\_

**POLYETHYLENE SHEET ANTISEEP COLLAR FOR 4" TO 24" DIAMETER PIPE**  
 Schildroth Bros. Black Hawk County, IA

United States Department of Agriculture  
 Natural Resources Conservation Service

Pub No. IL-ENG-215  
 Drawing No. \_\_\_\_\_  
 Page 1 of 1  
 Sheet 26 of 26