

Addendum 03 for RFB948500-01

Project Name: SHB Archives Storage Renovation
DAS RFQ#: 948500-01
DAS Project #: 9485.00
Date: 11/18/25

Quotes Due: November 20th at 2:00 pm

Contents:

- Cover Page, Clarifications (1 pages)

Clarifications:

- All lighting has been approved with the exception of one type RT1. New approved manufacturers are shown on luminaire schedule (E-600).
- This Addendum consists of the following attachments:

Document	No. of Pages or sheet size
Sheet ED111	30 inches by 40 inches
Sheet E-600	30 inches by 40 inches
Sheet F-000	30 inches by 40 inches
Sheet T-000	30 inches by 40 inches
Sheet T-102	30 inches by 40 inches
Sheet TD-101	30 inches by 40 inches

CHANGES TO PROCUREMENT AND CONTRACTING REQUIREMENTS: NONE

CHANGES TO TECHNICAL SPECIFICATIONS: NONE

CHANGES TO DRAWINGS:

SHEET ED111 - FIRST FLOOR DEMOLITION PLAN - POWER

Replace Sheet ED111 with revised attached sheet ED111.

SHEET E-600 - ELECTRICAL SCHEDULES & DETAILS

Replace Sheet E-600 with revised attached sheet E-600.

SHEET F-000 - FIRE PROTECTION COVERSHEET

ADD Sprinkler type SP-3 to the sprinkler usage schedule as shown on attached revised sheet F-000.

SHEET T-000 - TECHNOLOGY COVERSHEET

UPDATE Technology Symbol List.

SHEET TD101 - FIRST FLOOR DEMOLITION PLAN - TECHNOLOGY

ADD two (2) existing paging speakers.

SHEET T-102 - FIRST FLOOR PLAN - TECHNOLOGY

RELOCATE one (1) paging speaker.

ADD two (2) existing paging speakers.

CONDUIT INSTALLATION SCHEDULE

THE FOLLOWING SCHEDULE SHALL BE ADHERED TO UNLESS THEY CONSTITUTE A VIOLATION OF APPLICABLE CODES OR ARE NOTED OTHERWISE ON THE DRAWINGS. THE INSTALLATION OF RMC CONDUIT WILL BE PERMITTED IN PLACE OF ALL CONDUIT SPECIFIED IN THIS SCHEDULE. REFER TO CONDUIT AND BOXES SPECIFICATION 26 05 33 FOR ADDITIONAL INFORMATION.

INSTALLATION TYPE	EMT
FEEDERS: SWITCHBOARDS, DISTRIBUTION PANELS, PANELBOARDS, MOTOR CONTROL CENTERS, ETC.	X
BRANCH CIRCUITS: LIGHTING, RECEPTACLES, CONTROLS, ETC.	X
MECHANICAL EQUIPMENT FEEDERS: PUMPS, CHILLERS, AIR HANDLING UNITS, ETC.	X
FLOOR MOUNTED EQUIPMENT FEEDERS: PUMPS, ETC. (INCLUDE NO MORE THAN 6 FEET OF LEMC TO PUMP)	X
CONTROLS (LIGHTING, POWER, BUILDING AUTOMATION, ETC.)	X
FINISHED SPACES / CONCEALED	X
INTERIOR LOCATIONS: CONCEALED	X
INTERIOR LOCATIONS: EXPOSED	X
INTERIOR LOCATIONS: EXISTING WALLS AND EXPOSED INSTALLATION (FINISHED SPACES)	X

SEQUENCE OF OPERATION	PANEL/ANNUNCIATOR ALARM INDICATION	PANEL/ANNUNCIATOR SUPERVISORY INDICATION	PANEL/ANNUNCIATOR TROUBLE INDICATION	AUXILIARY ALARMS	VISUAL ALARMS	CM	CM	CM	CM	CM	CM	CM	CM	CM	CM
						SMOKE DAMPER CONTROL SEQUENCE	AHU & MECHANICAL FAN SHUTDOWN SEQUENCE	DOOR HOLDER SEQUENCE	POWER OPERATED FIRE DOORS	STAIRWELL PRESSURIZATION SEQUENCE	SMOKE WASHING SHUTDOWN SEQUENCE	CEILING FAN SHUTDOWN SEQUENCE	LIGHTING CONTROL OVERRIDE SEQUENCE	ACCESS CONTROL OVERRIDE SEQUENCE	
FIRE ALARM PANEL, TRANSPONDER, NAC PANEL LOW BATTERY	X														
FIRE ALARM PANEL, TRANSPONDER, NAC PANEL BATTERY OR CHARGER FAILURE		X													
FIRE ALARM PANEL, TRANSPONDER, NAC PANEL ABNORMAL SWITCH OR CONTROL POSITION	X														
FIRE ALARM PANEL, TRANSPONDER, NAC PANEL GROUND FAULT, OPEN CIRCUIT, SHORT CIRCUIT		X													
FIRE ALARM PANEL, TRANSPONDER, NAC PANEL AC POWER LOSS OR IRREGULARITY		X													
NOTIFICATION APPLIANCE CIRCUIT OR SLC LOOP GROUND FAULT, OPEN CIRCUIT, SHORT CIRCUIT		X													
INITIATING DEVICE FAILURE OR COMMUNICATION ERROR		X													
FIRE ALARM PANEL MANUAL FIRE DRILL		X		X	X									X	X
MANUAL PULL STATION	E	X		X	X	X	X	X	X				X	X	X
SMOKE DETECTOR	S#	X		X	X	X	X	X	X	X	X	X	X	X	X

1 FIRE ALARM OPERATION MATRIX

NO SCALE
NOTES:
1. SEQUENCE SHOWN IS FOR PRICING PURPOSES. NEW SEQUENCE SHALL MATCH EXISTING.

LED LUMINAIRE SCHEDULE

(DESC) DOOR:	DISTRIBUTION:	BEAMWIDTH:	(L/L) LENS/LOUVER:	K19 - KSH19 0.156" ACRYLIC
FA - FLAT ALUMINUM	II - ANSIIES TYPE 2 DISTRIBUTION	NSP - VERY NARROW SPOT	A - 0.125" ACRYLIC	M - MATTE DIFFUSE CLEAR
FS - FLAT STEEL	III - ANSIIES TYPE 3 DISTRIBUTION	SP - SPOT	B - BAFFLE/LOUVER	N - NONE
RA - REGRESSED ALUMINUM	IV - ANSIIES TYPE 4 DISTRIBUTION	MD - MEDIUM	C - CLEAR ALZAK	P - POLYCARBONATE
RS - REGRESSED STEEL	V - ANSIIES TYPE 5 DISTRIBUTION	WD - WIDE	F - FROSTED ACRYLIC	R - HIGH IMPACT DR ACRYLIC
FINISH:		VWD - VERY WIDE	G - TEMPERED GLASS	SS - SEMI-SPECULAR CLEAR
PAF - PAINT AFTER FABRICATION		WW - WALL WASH	K - KSH12 0.125" ACRYLIC	O - OTHER (SEE DESCRIPTION)
CFSA - COLOR/FINISH SELECTION BY ARCHITECT				
(MTG) MOUNTING:	RE - RECESSED	(WATT) PER FIX - FIXTURE, FT - FOOT, LAMP	(TYPE) LED	RGB - COLOR CHANGING LED
CL - CEILING SURFACE	SP - SUSPENDED		LED - LIGHT EMITTING DIODE	RGBW - COLOR CHANGING + WHITE
CV - COVE	SU - SURFACE		TLED - TUBULAR LED LAMP	RGBA - COLOR CHANGING + AMBER
FR - FLANGED RECESSED	UC - UNDER CABINET		OLED - ORGANIC LED	RLED - RETROFIT LED
P - PERIMETER	WL - WALL		DLED - DYNAMIC TUNABLE LED	WLED - WARM DIM LED
PL - POLE	O - OTHER (SEE DESCRIPTION)			
(TYPE) DRIVER:	EB - ELECTRONIC	HL - HIGH/LOW (100%/50%) STEP DIM		MV - MULTI-VOLTAGE ELECTRONIC
0-10V - 0-10V DIMMING	ELV - ELECTRONIC LOW VOLTAGE	LINE - LINE VOLTAGE DIMMING		REM - REMOTE
DALI - DIGITAL ADDRESSABLE	EM - EMERGENCY BATTERY	ML - MULTILEVEL SWITCHING		O - OTHER (SEE DESCRIPTION)
DMX - DIGITAL MULTIPLEX				

CATALOG NUMBER SHALL NOT BE CONSIDERED COMPLETE AND MATERIAL SHALL NOT BE ORDERED BY MANUFACTURER AND CATALOG NUMBER ONLY. THE COMPLETE DESCRIPTION AND THE SPECIFICATION SHALL BE COORDINATED WITH THE CATALOG NUMBER TO DETERMINE THE EXACT MATERIAL AND ACCESSORIES TO BE ORDERED. THE FIRST MANUFACTURER LISTED IS THE BASIS OF DESIGN.

VERIFY AND COORDINATE ALL CEILING TYPES WITH LUMINAIRE MOUNTING AND TRIM REQUIREMENTS PRIOR TO THE RELEASE OF THE LUMINAIRE ORDER. CONFIRM ALL COLORS AND FINISHES OF ALL LUMINAIRE COMPONENTS WITH ARCHITECT AND INTERIOR DESIGNER PRIOR TO THE RELEASE OF THE LUMINAIRE ORDER. UNLESS INDICATED ON LIGHTING PLANS OR BELOW, REFER TO ARCHITECTURAL AND INTERIOR DESIGN ELEVATIONS, SECTIONS AND DETAILS FOR ALL SUSPENDED AND WALL MOUNTED LUMINAIRE MOUNTING HEIGHTS.

REFER TO SPECIFICATION SECTIONS LED LIGHTING 26 51 19 FOR ADDITIONAL INFORMATION AND REQUIREMENTS. INTERIOR CORRELATED COLOR TEMPERATURE 4000+100K, COLOR RENDERING INDEX (CRI) AT OR ABOVE 80, UNLESS NOTED OTHERWISE.

ITEM	DESCRIPTION	L/L	MTG	DIMENSIONS				WATT		LED		DRIVER		APPROVED MANUFACTURER / SERIES	
				L	W	H	DIA	MAX ANSI	PER	TYPE	QTY	DELIVERED LUMENS (MIN)	VOLTS		TYPE
EX1	SINGLE-FACE EXIT SIGN, WHITE THERMOPLASTIC BODY, RED LETTERS, EMERGENCY NI-CAD BATTERY INSIDE OF SIGN UNIVERSAL ARROWS MOUNTING, SELF TEST & DIAGNOSTICS OF BATTERY AND LAMPS. VERIFY RECESSED END, BACK OR CEILING MOUNTING AND ARROWS WITH PLANS.	N/A	WL	12"	1 1/2"	10"	N/A	3	FIX	LED	1	N/A	MV	EM	ACUITY LITHONIA LDM-S-R-MVOLT-EL-N-SD-M6 SIGNIFY CHLORIDE CLX CURRENT HLI DUAL-LITE EVE MULE LIGHTING PRE-APPROVED EQUAL
EX2	DOUBLE-FACE EXIT SIGN, WHITE THERMOPLASTIC BODY, RED LETTERS, EMERGENCY NI-CAD BATTERY INSIDE OF SIGN UNIVERSAL ARROWS MOUNTING, SELF TEST & DIAGNOSTICS OF BATTERY AND LAMPS. VERIFY RECESSED END, BACK OR CEILING MOUNTING AND ARROWS WITH PLANS.	N/A	WL	12"	1 1/2"	10"	N/A	3	FIX	LED	1	N/A	MV	EM	ACUITY LITHONIA LDM-S-R-MVOLT-EL-N-SD-M6 SIGNIFY CHLORIDE CLX CURRENT HLI DUAL-LITE EVE MULE LIGHTING PRE-APPROVED EQUAL
F1	INDIRECT/DIRECT CONTINUOUS LINEAR PENDENT EXTRUDED ALUMINUM HOUSING, SMOOTH TRIM, AIR CRAFT CABLE MOUNTING. 1 CIRCUIT. REFER TO DRAWINGS FOR TOTAL REQUIRED LENGTH. MOUNTED AT +11'-0".	O	SP	XX	2	4 1/4	N/A	8	FT	LED	1	1032	MV	0-10V	ACUITY PEERLESS PRIM PRM2EL-LP-20FT-ASL4-90CRI40K-H00LMF-50ULMF-SMMWIN TG-MIN-ZT-MVOLT-SC1-4BA-G210-SCEP, AXIS BEAM 4 TB4DLED LEDALITE OR PRE-APPROVED EQUAL
F2	LED HIGH BAY, ALUMINUM HOUSING, GLARE CONTROL ACRYLIC LENS, WHITE FINISH, MINIMUM DISTANCE OF 18" BETWEEN LUMINAIRE AND CEILING REQUIRED. MOUNTED AT +18'-0".	A	SP	48"	24"	6"	N/A	105	FIX	LED	1	15000	MV	0-10V	ACUITY LITHONIA CPHB-15000LM-SEF-GCL-MD-MVOLT-GZ10-40K-90CRI-D WH-CNP-W LINMORE LED OR PRE-APPROVED EQUAL
F2E	SAME AS F2, BUT WITH 1734LM EMERGENCY BATTERY PACK - E10WCP	A	SP	48"	24"	6"	N/A	10	FIX	LED	1	1734	MV	0-10V EM	REFER TO TYPE F2
F3	DIRECT CONTINUOUS LINEAR PENDENT, EXTRUDED ALUMINUM HOUSING, FLUSH LENS, LAMBERTIAN DISTRIBUTION, AIR CRAFT CABLE MOUNTING, CFSA. SEE DRAWINGS FOR TOTAL REQUIRED LENGTH.	O	SP	XX"	2 1/2"	3 1/2"	N/A	10	FT	LED	1	1,000	MV	0-10V 1%	AXIS BEAM 2 TB20LED LUMENVERX VIA2PD ALW SUPERPLANE 2.5 SP2 SS FOCAL POINT SEEM FSM25" LEDALITE
F3E	SAME AS F2, BUT WITH 1734LM EMERGENCY BATTERY PACK - E10WCP	O	SP	XX"	2 1/2"	3 1/2"	N/A	10	FT	LED	1	1,000	MV	0-10V 1%	REFER TO TYPE F3
RT1	LED STATIC GRID LENSED TROFFER, 22 GAUGE STEEL HOUSING WITH FLUSH STEEL DOOR IN WHITE, 0.110" THICK #12 PATTERN ACRYLIC LENS.	A	RE	48"	24"	6"	N/A	42	FIX	LED	1	4800	MV	0-10V	ACUITY LITHONIA 2CTL-448L-GZ10-LP840 COOPER METALUX 14GR SIGNIFY DAYBRITE T-GRID 1TG VISCORE LIGHTING OR PRE-APPROVED EQUAL
RT1E	SAME AS RT1, BUT WITH 1400LM EMERGENCY BATTERY PACK.	A	RE	48"	24"	6"	N/A	42	FIX	LED	1	4800	MV	0-10V EM	REFER TO TYPE RT1
ST1	LED WRAPAROUND, DIE FORMED COLD-ROLLED STEEL HOUSING AND END PLATES, WHITE DIFFUSER	A	CL	48"	8 5/8"	2 5/8"	N/A	25.5	FIX	LED	1	3000	MV	0-10V	ACUITY LITHONIA SBL4-3000LM-60CRI-40K-MIN10-GZT-MVOLT COLUMBIA LIGHTING DAYBRITE OR PRE-APPROVED EQUAL

ARCHITECT OF RECORD
Neumann Monson Architects
221 East College Street | Suite 303
Iowa City, Iowa 52240
319.332.7878

111 East Grand Avenue, Suite 105
Des Moines, Iowa 50309
515.334.7500

CONSULTANTS
IMEG Corp
MEP
2882 106th St.
Des Moines, IA 50322
515.334.4329

PROJECT NAME
DAS - SHB - ARCHIVES STORAGE RENOVATION DAS # 9485.00

OWNER

PROJECT NO. 22035

DATE	DESCRIPTION
08/19/25	100% CONSTRUCTION DOCUMENTS
11/19/25	ADDENDUM 3

© NEUMANN MONSON INC.
Unauthorized copying, disclosure or construction without written permission by Neumann Monson Inc. is prohibited.

SHEET NAME
ELECTRICAL SCHEDULES & DETAILS

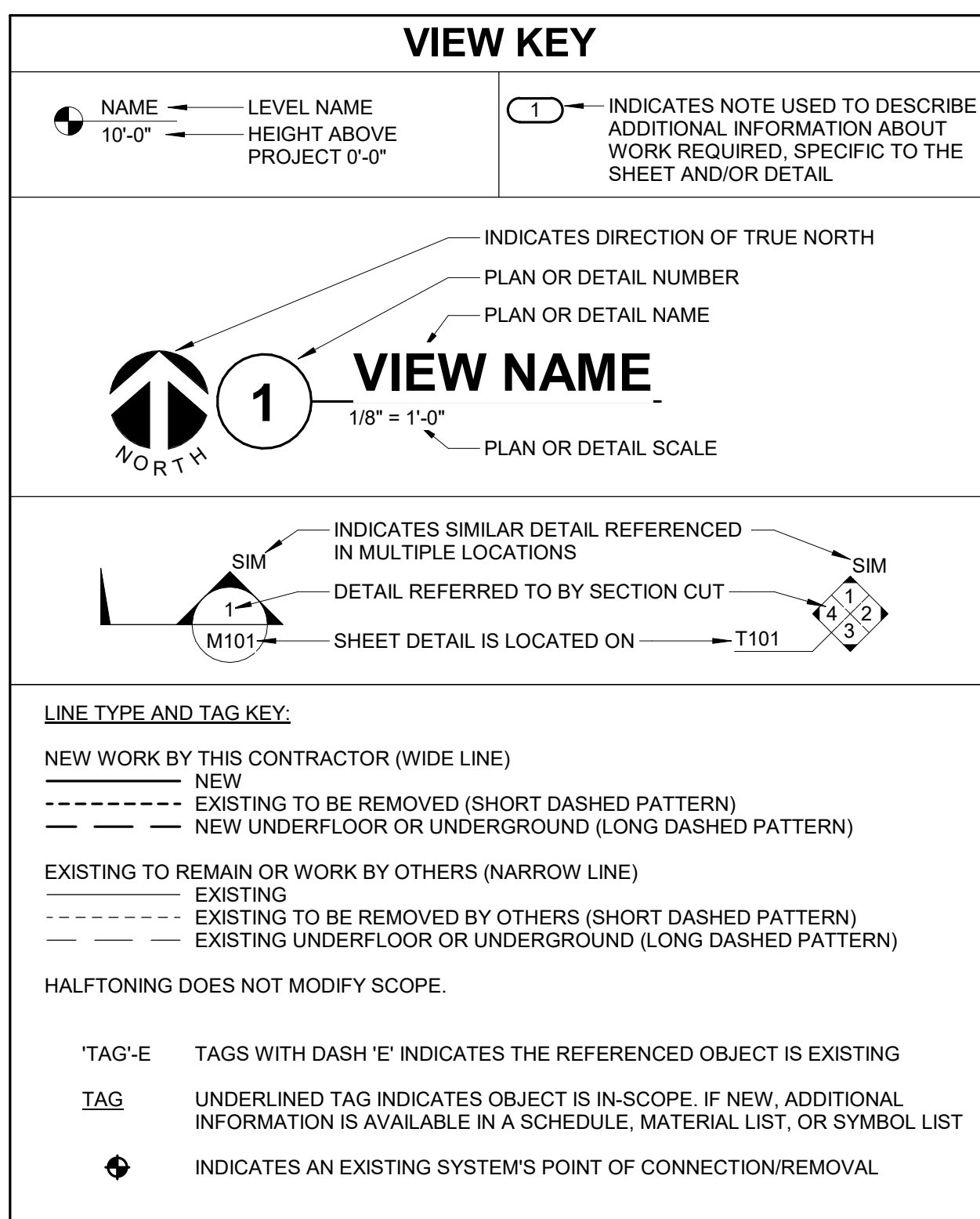
SHEET NUMBER

E-600

IMEG
www.imegcorp.com
IMEG CORP. RESERVES PROPRIETARY RIGHTS, INCLUDING COPYRIGHTS, TO THIS DRAWING AND THE DATA SHOWN THEREON. SAID DRAWING AND/OR DATA ARE THE EXCLUSIVE PROPERTY OF IMEG CORP. AND SHALL NOT BE USED OR REPRODUCED FOR ANY OTHER PROJECT WITHOUT THE EXPRESS WRITTEN APPROVAL AND PARTICIPATION OF IMEG CORP. ©2025 IMEG CORP.

2882 106TH STREET
DES MOINES, IA 50322
P: 515.334.3900 F: 515.334.0908

SCALE IN INCHES PROJECT #22010338.00



CONTRACTOR ABBREVIATION KEY

ABBR:	DESCRIPTION:
A.C.	ASBESTOS ABATEMENT CONTRACTOR
E.C.	ELECTRICAL CONTRACTOR
F.P.C.	FIRE PROTECTION CONTRACTOR
G.C.	GENERAL CONTRACTOR
H.C.	HEATING CONTRACTOR
M.C.	MECHANICAL CONTRACTOR
P.C.	PLUMBING CONTRACTOR
S.C.	SECURITY CONTRACTOR
T.C.	TECHNOLOGY CONTRACTOR
T.C.C.	TEMPERATURE CONTROLS CONTRACTOR
V.C.	VENTILATION CONTRACTOR

CONTACT PERSONS:

DESCRIPTION:	PERSON:
PROJECT MANAGER	PETER ERNZEN
MECHANICAL	PETER ERNZEN
ELECTRICAL	SENKO DIZDAREVIC
TECHNOLOGY	ALFONSO ARAULLO

FIRE SPRINKLER USAGE SCHEDULE

NOTES:
 1. SEE FLOOR PLANS FOR ZONING REQUIREMENTS.
 2. SPRINKLER SHALL HAVE COLOR CODED BULB THERMAL ELEMENT.
 3. ALL SPRINKLERS SHALL BE UL LISTED.
 4. CONTRACTOR TO VERIFY SPRINKLER REQUIREMENTS BASED ON ACTUAL INSTALLATION, USAGE, ARCHITECTURAL CEILING PLAN AND NFPA 13 REQUIREMENTS.
 5. TAG NAME IS PRIMARILY FOR IDENTIFYING SPRINKLERS IN SUBMITTALS. IT MAY OR MAY NOT BE FOUND ELSEWHERE ON THE DRAWINGS. CONTRACTOR TO SUBMIT ALL SPRINKLER TYPES TO BE USED.
 6. AREAS ARE GENERAL IN NATURE. CONTRACTOR TO MATCH UNSCHEDULED AREAS TO SIMILAR SPACES.
 7. SPRINKLERS SPECIFIED WITHIN FIRE SPRINKLER USAGE SCHEDULE ARE STANDARD COVERAGE TYPE. EXTENDED COVERAGE SPRINKLERS ARE PERMITTED PROVIDED SPRINKLERS MEET THE REQUIREMENTS OF UL.

AREA TYPE (NOTE 1 & 6)	AREA HAZARD	TAG NAME (NOTE 4 & 5)	SPRINKLER TYPE	RESPONSE CATEGORY	FINISH	TEMPERATURE RATING	MANUFACTURER & MODEL	NOTES
AREAS WITH FINISHED CEILINGS	SEE PLANS	SPR-1	CONCEALED-FLAT PLATE	QUICK	WHITE	PER NFPA	VIKING VK, RELIABLE G4A, TYCO RFII, VICTAULIC V3802	NOTES 3, 7
AREAS WITH EXPOSED CEILINGS	SEE PLANS	SPR-2	UPRIGHT	QUICK	ROUGH	PER NFPA	VIKING VK, RELIABLE F1FR, TYCO TY-FRB, VICTAULIC V2708	NOTES 3, 7
DIGITIZATION LAB - 157	SEE PLANS	SPR-3	SEMI-RECESS ED PENDANT	QUICK	WHITE	PER NFPA	VIKING VK, RELIABLE F1FR, TYCO TY-FRB, VICTAULIC V2708	NOTES 3, 7

MECHANICAL RENOVATION NOTES:

THESE NOTES APPLY TO ALL MECHANICAL SHEETS AND TRADES, INCLUDING BUT NOT LIMITED TO, FIRE PROTECTION, DUCTWORK AND PLUMBING.

- EXISTING CONDITIONS ARE SHOWN BASED ON INFORMATION OBTAINED FROM FIELD SURVEYS, EXISTING BUILDING DOCUMENTS, AND STAFF. VERIFY EXISTING CONDITIONS AND REPORT ANY CONFLICTS BEFORE PROCEEDING.
- NOT ALL EXISTING DUCTWORK AND PIPING IS SHOWN. VERIFY EXISTING CONDITIONS BEFORE STARTING WORK. NOTIFY ENGINEER OF ANY CONFLICTS WITH NEW WORK.
- FIELD VERIFY THE AVAILABLE CLEARANCES FOR DUCTWORK AND PIPING BEFORE FABRICATION. RISERS AND DROPS MAY BE NECESSARY BECAUSE OF EXISTING FIELD CONDITIONS.
- EACH CONTRACTOR SHALL FIELD VERIFY ACCESSIBILITY TO THE AREA OF THEIR WORK AND SHALL NOTIFY THE GENERAL CONTRACTOR PRIOR TO BIDDING IF OTHER UTILITIES ARE REQUIRED TO BE REMOVED OR RELOCATED TO ALLOW ACCESS TO THEIR AREA OF WORK.
- EACH CONTRACTOR IS RESPONSIBLE FOR CUTTING, REMOVAL AND PATCHING OF ROOFS, WALLS, AND FLOORS ASSOCIATED WITH THEIR WORK BEYOND WHAT IS SHOWN ON THE ARCHITECTURAL PLANS.
- EACH CONTRACTOR IS RESPONSIBLE FOR REMOVAL AND REPLACEMENT OF CEILINGS, CEILING TILES, AND CEILING GRIDS ASSOCIATED WITH THEIR AREAS OF WORK BEYOND WHAT IS SHOWN ON THE ARCHITECTURAL PLANS.
- WHERE EXISTING MECHANICAL SYSTEMS ARE LOCATED IN AREAS THAT CONFLICT WITH NEW EQUIPMENT, PIPING, OR DUCTWORK TO BE INSTALLED, EACH CONTRACTOR SHALL EITHER ARRANGE NEW EQUIPMENT, PIPING, OR DUCTWORK IN SUCH A FASHION THAT IT DOES NOT CONFLICT WITH EXISTING SYSTEMS, OR REWORK EXISTING MECHANICAL SYSTEMS TO ALLOW FOR INSTALLATION OF NEW EQUIPMENT, PIPING, OR DUCTWORK.
- PROVIDE TEMPORARY CONNECTIONS TO MAINTAIN EXISTING SYSTEMS IN SERVICE DURING CONSTRUCTION. MAINTAIN ACCESS TO EXISTING MECHANICAL INSTALLATIONS THAT REMAIN ACTIVE.
- OBTAIN PERMISSION FROM OWNER BEFORE SHUTTING DOWN ANY SYSTEM FOR ANY REASON. MAINTAIN SERVICE TO ALL COMPONENTS THAT ARE TO REMAIN UNTIL NEW SYSTEMS ARE INSTALLED.
- MAINTAIN EXISTING SYSTEM IN SERVICE UNTIL NEW SYSTEM IS COMPLETE AND READY FOR TIE IN AND SWITCHOVER. DRAIN SYSTEM ONLY TO MAKE SWITCHOVERS AND CONNECTIONS. OBTAIN PERMISSION FROM OWNER BEFORE PARTIALLY OR COMPLETELY DRAINING SYSTEM. MAKE CHANGEOVER TO NEW SYSTEMS WITH MINIMUM OUTAGE.
- DISCONNECT AND REMOVE MECHANICAL DEVICES AND EQUIPMENT SERVING EQUIPMENT THAT HAS BEEN REMOVED.

FIRE PROTECTION GENERAL NOTES:

- THE SYMBOLS AND THE MATERIAL LIST ARE FOR THE CONVENIENCE OF THE CONTRACTOR. CONTRACTOR SHALL VERIFY QUANTITIES AND FURNISH ALL MATERIALS REQUIRED FOR FULLY OPERATIONAL SYSTEMS, WHETHER SPECIFIED OR NOT.
- CATALOG NUMBERS SHALL NOT BE CONSIDERED COMPLETE, BUT ARE GIVEN AS AN AID TO THE CONTRACTOR AND TO INDICATE THE QUALITY REQUIRED. CONTRACTOR IS RESPONSIBLE FOR COMPLETE DESCRIPTION OF MATERIAL ON THESE DRAWINGS AND IN THE SPECIFICATIONS BEFORE ORDERING. THE DESCRIPTION OF THE MATERIAL TAKES PRECEDENCE OVER THE CATALOG NUMBER. THE FIRST MANUFACTURER IS THE BASIS OF DESIGN.
- CENTER SPRINKLERS IN CEILING TILES IN BOTH DIRECTIONS IN ALL AREAS. IN AREAS WITH 2'x4' CEILING TILES CENTERING USING A 2'x2' CEILING PATTERN IS ACCEPTABLE. SPRINKLER HEADS SHALL BE ALIGNED WITH OTHER SPRINKLER HEADS, LIGHTING, DIFFUSERS, AND ANY OTHER FEATURES IN THE CEILING.
- NEW SPRINKLERS SHALL BE QUICK RESPONSE TYPE, UNLESS OTHERWISE NOTED. CONTRACTOR SHALL NOT MIX STANDARD RESPONSE SPRINKLERS WITH QUICK RESPONSE SPRINKLERS IN UNPARTITIONED SPACES.
- PROVIDE COVERAGE ABOVE AND BELOW ALL EXPOSED DUCTWORK GREATER THAN 48" WIDE.
- PROVIDE COVERAGE ABOVE (IF APPLICABLE) AND BELOW FLOATING CEILINGS. REFER TO ARCHITECTURAL PLANS.
- FIRE PROTECTION PIPE ROUTING IS SHOWN FOR GENERAL LAYOUT. DETERMINE EXACT NUMBER OF SPRINKLERS, PIPE SIZING, AND PIPE ROUTING.
- THE FIRE PROTECTION SYSTEM SHALL BE DESIGNED TO MEET OWNER'S INSURANCE COMPANY STANDARDS WHERE APPLICABLE. THE MORE STRINGENT OF THE OWNER'S INSURANCE UNDERWRITER'S DESIGN CRITERIA AND THE NFPA STANDARDS SHALL BE USED.
- ALL BUILDING AREA SHALL BE FULLY SPRINKLERED INCLUDING CANOPIES, WALKWAYS, OVERHANGS, SOFFITS, AND BUILDING PROJECTIONS. ALL ACCESSIBLE COMBUSTIBLE CONCEALED SPACES SHALL BE FULLY PROTECTED BY THE SPRINKLER SYSTEM.
- WHERE FEASIBLE, INSTALL PIPES HIGH AS POSSIBLE TO AVOID CONFLICT WITH OTHER DISCIPLINES.
- INSTALL SYSTEM DRAINS AT LOW POCKET AREAS CONTAINING FIVE GALLONS OF WATER OR MORE. PROVIDE WITH ISOLATION VALVE AND THREADED HOSE CONNECTION.
- MAIN PIPING PASSING BELOW SKYLIGHTS OR CLERESTORIES ARE NOT PERMITTED.
- FOLLOW STRUCTURAL DETAILS WHEN PENETRATING OR PASSING THROUGH STRUCTURAL ELEMENTS. ALTERNATE DESIGNS WILL NEED TO BE APPROVED THROUGH THE STRUCTURAL ENGINEER.
- PROVIDE INTERMEDIATE TEMPERATURE SPRINKLER HEADS WHERE REQUIRED BY NFPA 13 UNLESS OTHERWISE NOTED.
- FINAL HEAD LOCATION, TYPE AND FINISH SHALL BE REVIEWED AND APPROVED BY THE ARCHITECT.
- PAINT ALL EXPOSED PIPING TO MATCH BACKGROUND OR AS DIRECTED BY THE ARCHITECT.
- THE OWNER MUST BE NOTIFIED PRIOR TO EACH AND EVERY DRAINING OR RECHARGING OF THE SPRINKLER SYSTEM.
- THE CONTRACTOR SHALL PREPARE A COORDINATED SET OF SHOP DRAWINGS AND SHALL OBTAIN APPROVAL FROM THE AUTHORITIES HAVING JURISDICTION AND THE LOCAL FIRE DEPARTMENT PRIOR TO ANY INSTALLATION.
- DRAWINGS SHOW LOCATIONS OF EQUIPMENT, DUCTWORK, PIPING, ETC. ARE DIAGRAMMATIC AND MAY NOT ALWAYS REFLECT EXACT INSTALLATION CONDITIONS. DRAWINGS SHOW THE GENERAL ARRANGEMENT OF DUCTWORK, PIPING, EQUIPMENT, ETC. AND MAY NOT INCLUDE ALL OFFSETS AND FITTINGS REQUIRED FOR COMPLETE INSTALLATION. THE DRAWINGS SHALL BE FOLLOWED AS CLOSELY AS ACTUAL BUILDING CONSTRUCTION AND THE WORK OF OTHERS WILL PERMIT.
- VERIFY ALL DIMENSIONS AND CLEARANCES FROM ARCHITECTURAL, STRUCTURAL, SUBMITTALS, AND OTHER APPROPRIATE DRAWINGS OR PHYSICALLY AT SITE. REVIEW ALL DRAWINGS, INCLUDING THOSE OF OTHER TRADES.

MECHANICAL GENERAL NOTES:

THESE NOTES APPLY TO ALL MECHANICAL SHEETS AND TRADES, INCLUDING BUT NOT LIMITED TO, FIRE PROTECTION, DUCTWORK AND PLUMBING.

- DRAWINGS SHOWING LOCATIONS OF EQUIPMENT, DUCTWORK, PIPING, ETC. ARE DIAGRAMMATIC AND MAY NOT ALWAYS REFLECT EXACT INSTALLATION CONDITIONS. DRAWINGS SHOW THE GENERAL ARRANGEMENT OF DUCTWORK, PIPING, EQUIPMENT, ETC. AND MAY NOT INCLUDE ALL OFFSETS AND FITTINGS REQUIRED FOR COMPLETE INSTALLATION. THE DRAWINGS SHALL BE FOLLOWED AS CLOSELY AS ACTUAL BUILDING CONSTRUCTION AND THE WORK OF OTHERS WILL PERMIT.
- DO NOT SCALE DRAWINGS. VERIFY ALL DIMENSIONS AND CLEARANCES FROM ARCHITECTURAL, STRUCTURAL, SUBMITTALS, AND OTHER APPROPRIATE DRAWINGS OR PHYSICALLY AT SITE. REVIEW ALL DRAWINGS, INCLUDING THOSE OF OTHER TRADES.
- COORDINATE ALL WORK WITH ALL OTHER TRADES PRIOR TO INSTALLATION TO PROVIDE CLEARANCES REQUIRED FOR OPERATION, MAINTENANCE, CODE COMPLIANCE, AND TO VERIFY NON-INTERFERENCE WITH OTHER WORK. DO NOT FABRICATE PRIOR TO VERIFICATION OF NECESSARY CLEARANCES FOR ALL TRADES. BRING ANY INTERFERENCES OR CONFLICTS TO THE ATTENTION OF THE ARCHITECT/ENGINEER BEFORE PROCEEDING WITH FABRICATION OR EQUIPMENT ORDERS.
- REVIEW SPACE REQUIREMENTS OF EQUIPMENT SPECIFIED OR SUBSTITUTED AND MAKE REASONABLE ACCOMMODATIONS IN LAYOUT AND POSITIONING TO PROVIDE PROPER ACCESS.
- ANY CHANGES REQUIRED TO ELIMINATE CONFLICTS OR THAT RESULT FROM A FAILURE TO COORDINATE SHALL BE MADE BY THE CONTRACTOR WITHOUT ADDITIONAL COST OR EXPENSE TO OTHERS.
- EACH CONTRACTOR IS RESPONSIBLE FOR ALL COSTS ASSOCIATED WITH ELECTRICAL CHANGES REQUIRED FOR EQUIPMENT PROPOSED THAT DIFFERS FROM THE BASIS OF DESIGN.
- REFER TO ARCHITECTURAL REFLECTED CEILING PLAN, ELECTRICAL, TECHNOLOGY AUDIOVISUAL, AND OTHER MECHANICAL PLANS FOR EXACT LOCATIONS OF ALL CEILING MOUNTED DEVICES, OTHER THAN SPRINKLERS.
- EACH CONTRACTOR IS RESPONSIBLE FOR DAMAGE CAUSED BY THEIR ACTIONS TO WALLS, FLOORS, CEILINGS, AND ROOFS. THE CONTRACTOR WHOSE WORK CAUSES DAMAGE IS RESPONSIBLE FOR PATCHING TO MATCH ORIGINAL CONSTRUCTION, FIRE RATINGS, AND FINISH.
- IN AREAS WITH DRYWALL CEILINGS, EACH CONTRACTOR SHALL PROVIDE ACCESS PANELS AS REQUIRED FOR ACCESS TO VALVES, DUCTWORK ACCESSORIES, DAMPERS, ETC. THAT ARE PART OF THEIR WORK. COORDINATE PANEL TYPE AND COLOR WITH ARCHITECT.
- CALLK ALL PIPE AND DUCT PENETRATIONS OF FULL HEIGHT NON-FIRE RATED WALL, PARTITION, FLOOR, AND ROOF ASSEMBLIES. THIS IS ESSENTIAL TO PREVENT NOISE TRANSMISSION FROM ONE ROOM TO ANOTHER AND TO PROVIDE THE DESIRED NC LEVELS WITHIN ROOMS.
- EQUIPMENT SIZES AND SERVICE CLEARANCE REQUIREMENTS VARY AMONG DIFFERENT MANUFACTURERS. CONSULT APPROVED SHOP DRAWINGS FOR EQUIPMENT SIZES AND REQUIRED SERVICE CLEARANCES. COORDINATE WITH LAYOUT OF EQUIPMENT PADS, PIPING, DUCTWORK, ETC.
- DO NOT BLOCK TUBE PULL OR EQUIPMENT SERVICE CLEARANCES.
- MAINTAIN A MINIMUM WORKING CLEARANCE OF 3'-6" IN FRONT OF ALL ELECTRICAL EQUIPMENT REQUIRING MAINTENANCE, INSPECTION, AND TESTING INCLUDING BUT NOT LIMITED TO PANELS, DISTRIBUTION PANELS, SWITCHBOARDS, MOTOR CONTROL CENTERS, TRANSFORMERS, EQUIPMENT DISCONNECTS AND STARTERS.
- MAINTAIN THE DEDICATED ELECTRICAL EQUIPMENT SPACE DEFINED BY THE WIDTH / DEPTH OF ELECTRICAL EQUIPMENT MEASURED FROM THE FLOOR TO A HEIGHT 6'-0" ABOVE THE EQUIPMENT OR THE STRUCTURAL CEILING, WHICHEVER IS LOWER. SYSTEMS FOREIGN TO THE ELECTRICAL DISTRIBUTION SYSTEM ARE NOT ALLOWED IN THE DEDICATED ELECTRICAL SPACE INCLUDING: DUCTWORK, PIPING, ETC.
- DO NOT SUPPORT EQUIPMENT, PIPING, OR DUCTWORK FROM METAL DECKING OR OTHER NON-STRUCTURAL BUILDING ELEMENTS. ANCHORS EMBEDDED IN CONCRETE SHALL BE CRACKED CONCRETE APPROVED IN ACCORDANCE WITH SPECIFICATIONS.

FIRE PROTECTION SHEET INDEX

F-000	FIRE PROTECTION COVERSHEET
FD101	FIRST FLOOR DEMOLITION PLAN - FIRE PROTECTION
F-201	FIRST FLOOR PLAN - FIRE PROTECTION
GRAND TOTAL: 3	

ARCHITECT OF RECORD

Neumann Monson Architects
 221 East College Street | Suite 303
 Iowa City, Iowa 52240
 319.338.7878

111 East Grand Avenue, Suite 105
 Des Moines, Iowa 50309
 515.339.7500

CONSULTANTS

IMEG Corp
 MEP
 2882 106th St.
 Des Moines, IA 50322
 515.334.4339

PROJECT NAME
DAS - SHB - ARCHIVES STORAGE RENOVATION DAS # 9485.00

OWNER

PROJECT NO. 22035

ISSUE

DATE	DESCRIPTION
08/19/25	100% CONSTRUCTION DOCUMENTS
11/19/25	ADDENDUM 3

© NEUMANN MONSON INC.
 Unauthorized copying, distribution or construction without written permission by Neumann Monson Inc. is prohibited.

SHEET NAME
FIRE PROTECTION COVERSHEET

SHEET NUMBER

IMEG
 www.imegcorp.com
 2882 106TH STREET
 DES MOINES, IA 50322
 P: 515.334.9000 F: 515.334.9008

IMEG CORP. RESERVES PROPRIETARY RIGHTS, INCLUDING COPYRIGHTS, TO THIS DRAWING AND THE DATA SHOWN THEREON. SAID DRAWING AND/OR DATA ARE THE EXCLUSIVE PROPERTY OF IMEG CORP. AND SHALL NOT BE LOANED, REPRODUCED FOR ANY OTHER PROJECT WITHOUT THE EXPRESS WRITTEN APPROVAL AND PARTICIPATION OF IMEG CORP. ©2025 IMEG CORP.

1" = 1'-0"
 REF. SCALE IN INCHES PROJECT #20210308.00

VIEW KEY

NAME --- LEVEL NAME
10'-0" --- HEIGHT ABOVE PROJECT 0'-0"

INDICATES NOTE USED TO DESCRIBE ADDITIONAL INFORMATION ABOUT WORK REQUIRED, SPECIFIC TO THE SHEET AND/OR DETAIL

INDICATES DIRECTION OF TRUE NORTH
PLAN OR DETAIL NUMBER
PLAN OR DETAIL NAME
1/8" = 1'-0"
PLAN OR DETAIL SCALE

INDICATES SIMILAR DETAIL REFERENCED IN MULTIPLE LOCATIONS
DETAIL REFERRED TO BY SECTION CUT
SHEET DETAIL IS LOCATED ON

LINE TYPE AND TAG KEY:
NEW WORK BY THIS CONTRACTOR (WIDE LINE)
NEW
--- EXISTING TO BE REMOVED (SHORT DASHED PATTERN)
--- NEW UNDERFLOOR OR UNDERGROUND (LONG DASHED PATTERN)
EXISTING TO REMAIN OR WORK BY OTHERS (NARROW LINE)
--- EXISTING
--- EXISTING TO BE REMOVED BY OTHERS (SHORT DASHED PATTERN)
--- EXISTING UNDERFLOOR OR UNDERGROUND (LONG DASHED PATTERN)
HALFTONING DOES NOT MODIFY SCOPE.

*TAG-E TAGS WITH DASH 'E' INDICATES THE REFERENCED OBJECT IS EXISTING
TAG UNDERLINED TAG INDICATES OBJECT IS IN-SCOPE. IF NEW, ADDITIONAL INFORMATION IS AVAILABLE IN A SCHEDULE, MATERIAL LIST, OR SYMBOL LIST
INDICATES AN EXISTING SYSTEM'S POINT OF CONNECTION/REMOVAL

CONTRACTOR ABBREVIATION KEY

ABBR:	DESCRIPTION:
A.C.	ASBESTOS ABATEMENT CONTRACTOR
E.C.	ELECTRICAL CONTRACTOR
F.P.C.	FIRE PROTECTION CONTRACTOR
G.C.	GENERAL CONTRACTOR
H.C.	HEATING CONTRACTOR
M.C.	MECHANICAL CONTRACTOR
P.C.	PLUMBING CONTRACTOR
S.C.	SECURITY CONTRACTOR
T.C.	TECHNOLOGY CONTRACTOR
T.C.C.	TEMPERATURE CONTROLS CONTRACTOR
V.C.	VENTILATION CONTRACTOR

CONTACT PERSONS:

DESCRIPTION:	PERSON:
PROJECT MANAGER	PETER ERNZEN
MECHANICAL	PETER ERNZEN
ELECTRICAL	SENKO DIZDAREVIC
TECHNOLOGY	ALFONSO ARAULLO

TECHNOLOGY ABBREVIATION KEY

ABBR:	DESCRIPTION:
AFF	ABOVE FINISHED FLOOR
AFG	ABOVE FINISHED GRADE
BFC	BELOW FINISHED CEILING
C	CONDUIT
DE	DELAYED EGRESS
DPDT	DOUBLE POLE DOUBLE THROW
FOV	FIELD OF VIEW
J-BOX	JUNCTION BOX
POE	POWER OVER ETHERNET
PTZ	PAN TILT ZOOM
SIM	SIMILAR
TYP	TYPICAL
UON	UNLESS OTHERWISE NOTED
+#	MOUNTING HEIGHT ABOVE FINISHED FLOOR
TR-#	TELECOMMUNICATIONS ROOM

INFORMATION OUTLET SCHEDULE

SINGLE GANG WALL PLATES

2-Port Faceplate

ANSI/TIA/EIA T568B PINPAIR ASSIGNMENT

LEGEND
DATA CAT 6 RJ-45
BLANK BLANK FILLER MODULE

CONFIGURATION	FACEPLATE PORT IDENTIFICATION						NOTES
	FACEPLATE PORTS	POSITION 1 JACK TYPE	POSITION 2 JACK TYPE	POSITION 3 JACK TYPE	POSITION 4 JACK TYPE	POSITION 5 JACK TYPE	
C1	2	DATA	BLANK				
C2	2	DATA	DATA				

TECHNOLOGY EQUIPMENT SCHEDULE

THE EQUIPMENT LIST ABBREVIATIONS AND THE GENERAL TECHNOLOGY EQUIPMENT SCHEDULE ARE FOR THE CONVENIENCE OF THE CONTRACTOR. EACH CONTRACTOR SHALL BE RESPONSIBLE FOR VERIFICATION OF QUANTITIES AND MATERIAL REQUIRED, WHETHER SPECIFIED OR NOT, TO PRODUCE A SATISFACTORY WORKING SYSTEM.

CATALOG NUMBERS ARE NOT TO BE CONSIDERED COMPLETE BUT ARE GIVEN ONLY TO AID THE CONTRACTOR IN THE SEARCH FOR MATERIAL. NO MATERIAL SHALL BE ORDERED BY MANUFACTURER AND CATALOG NUMBER ONLY. EACH CONTRACTOR SHALL FIRST READ THE COMPLETE DESCRIPTION OF THE MATERIAL ON THESE DRAWINGS AND SPECIFICATIONS. THE FIRST MANUFACTURER LISTED IS THE BASIS OF DESIGN. "STANDARD COLOR" INDICATES FACTORY FINISH AVAILABLE AT NO ADDITIONAL CHARGE.

EQUIPMENT LIST ABBREVIATION	EQUIPMENT LIST DESCRIPTION	MANUFACTURER AND MODEL
AC-DC	RECESSED STEEL DOOR CONTACT WITH WIRE LEADS, 3/4" DIAMETER, SPDT AND 3/8" GAP SIZE. REFER TO SPECIFICATION SECTION 28 13 00 FOR ADDITIONAL INFORMATION.	GE SECURITY 10760
AC-EDH	REFER TO 1/1103 FOR CONTROLLED SECURITY SCHEME DOOR ROUGH-IN DETAIL. FOR ADDITIONAL INFORMATION, ELECTRIC LOCKING HARDWARE, FURNISHED AND INSTALLED BY DOOR HARDWARE PROVIDER, CONTROLLED BY THE SECURITY SYSTEM. REFER TO ARCHITECTURAL DOOR SCHEDULE FOR ADDITIONAL INFORMATION.	OR PRE-APPROVED EQUAL
AC-R1-W	REFER TO 1/1103 FOR CONTROLLED SECURITY SCHEME DOOR ROUGH-IN DETAIL. FOR ADDITIONAL INFORMATION, CREDENTIAL READER, PROVIDED AS INTEGRAL PART OF SECURITY MANAGEMENT SYSTEM, REFER TO ACCESS CONTROL SYSTEM DOOR SCHEDULE FOR COMPLETE INFORMATION, CARD READERS SHOWN ON PLANS TO IDENTIFY INTENDED MOUNTING LOCATION, REFER TO SPECIFICATION SECTION 28 13 00 FOR COMPLETE INFORMATION.	HID RP40 SERIES
AC-RTe	REFER TO 1/1103 FOR CONTROLLED SECURITY SCHEME DOOR ROUGH-IN DETAIL. FOR ADDITIONAL INFORMATION, PIR REQUEST TO EXIT MOTION DETECTOR, DOOR MONITOR WITH SOUNDER ALERT, ADJUSTABLE LATCH TIME SELECTABLE FAIL SAFE/SECURE, ACTIVATION LED, 12 VDC OPERATION, SEQUENTIAL LOGIC INPUT, TWO FORM C CONTACTS, PROVIDE WITH TRIM PLATE (TP 160) CEILING MOUNTED OR WALL MOUNTED AT 64" AFF.	NO SUBSTITUTIONS BOSCH DS 160
SC-IO-C	REFER TO 1/1103 FOR CONTROLLED SECURITY SCHEME DOOR ROUGH-IN DETAIL. FOR ADDITIONAL INFORMATION, INFORMATION OUTLET, CEILING MOUNT, 1 PORT SURFACE BOX AS INDICATED ON DRAWINGS. REFER TO INFORMATION OUTLET SCHEDULE FOR PIN CONFIGURATION.	NO SUBSTITUTION SURFACE MOUNT BOX: HUBBELL HSB1 SERIES
SC-IO-F	INFORMATION OUTLET, 2 PORT COVERPLATE AS INDICATED ON DRAWINGS. *# INDICATES INFORMATION OUTLET FACEPLATE CONFIGURATION AS INDICATED ON THE PLANS. REFER TO THE INFORMATION OUTLET SCHEDULE FOR PIN CONFIGURATION. INSTALL INFORMATION OUTLET IN E.C. PROVIDED FLOOR BOX, COORDINATE ADDITIONAL MOUNTING REQUIREMENTS WITH E.C. PROVIDE (1) 1" EMT CONDUIT TO THE NEAREST ACCESSIBLE CEILING.	OR PRE-APPROVED EQUAL FACEPLATE: HUBBELL IFF120W (2-PORT) JACK: HUBBELL HXJ8 SERIES
SC-IO-W	INFORMATION OUTLET, WALL MOUNT, 2 PORT COVERPLATE AS INDICATED ON DRAWINGS. *# INDICATES INFORMATION OUTLET FACEPLATE CONFIGURATION AS INDICATED ON THE PLANS. REFER TO T-200 FOR INFORMATION OUTLET SCHEDULE FOR PIN CONFIGURATION. INSTALL INFORMATION OUTLET IN A 4" SQUARE BACKBOX WITH A SINGLE GANG PLASTER RING. INSTALL A 1" EMT CONDUIT TO AREA SERVING TELECOM ROOM. PROVIDE REMOVABLE BLANK INSERTS FOR UNUSED PORTS (HUBBELL SFB10A OR APPROVED EQUAL).	OR PRE-APPROVED EQUAL FACEPLATE: HUBBELL IFF120W (2-PORT) JACK: HUBBELL HXJ8 SERIES
SC-MPP-1	48 PORT PATCH PANEL, RACK MOUNT, RJ-45 TERMINATIONS, MOUNTS DIRECTLY TO EIA/TIA STANDARD 19" RELAY RACK, PORT IDENTIFICATION NUMBERS, COLOR CODING AND LABEL HOLDER KITS, U.L. LISTED. REQUIRES (2) 1.75" MOUNTING SPACES.	OR PRE-APPROVED EQUAL HUBBELL HP648 OR PRE-APPROVED EQUAL

TECHNOLOGY SYMBOL LIST

SYMBOL:	EQUIPMENT LIST ABBREVIATION:	DESCRIPTION:	NOTE:
	N/A	CONTROLLED SECURITY SCHEME SCHEDULE IDENTIFIER	1.
	AC-RF-W	SECURITY CREDENTIAL READER (WALL)	1.
	AC-DC	DOOR CONTACT	1.
	AC-EDH	ELECTRIFIED DOOR HARDWARE	1.
	AC-RTe	REQUEST TO EXIT	1.
	SC-IO-F	INFORMATION OUTLET IN FLOOR BOX/POKE THROUGH BUILDING STRUCTURE	4.
	SC-IO-W	INFORMATION OUTLET (WALL)	3.
	N/A	INFORMATION OUTLET (WALL) EXISTING	2.
	SC-IO-C	INFORMATION OUTLET (CEILING)	3.
	N/A	FACILITY PAGING SPEAKER (CEILING) EXISTING	2.
	N/A	FACILITY PAGING SPEAKER (WALL) EXISTING	2.
	C	CONDUIT	
	C-D	CONDUIT DOWN	
	C-U	CONDUIT UP OR UP/DOWN	
	C-S	CONDUIT SLEEVE	
	C-CONT	CONTINUATION	

GENERAL NOTES:

- ALL SYMBOLS AND ABBREVIATIONS LISTED MAY NOT BE APPLICABLE TO THIS PROJECT. REFER TO THE TECHNOLOGY EQUIPMENT SCHEDULE FOR MORE COMPLETE DESCRIPTION AND ITEMS.
- ALL SYMBOLS AND ABBREVIATIONS REFER TO TECHNOLOGY SHEETS ONLY AS DEFINED ON THE SHEET INDEX. REFER TO THE GENERAL TECHNOLOGY NOTES FOR ADDITIONAL INFORMATION.
- ALL SYMBOLS LISTED ABOVE ARE FOR REFERENCE ONLY. REFER TO PLANS AND LINE TYPE KEY FOR NEW, EXISTING TO REMAIN AND TO BE REMOVED ITEMS FOR ADDITIONAL INFORMATION.

TECHNOLOGY SYMBOL NOTES:

- REFER TO CONTROLLED SECURITY SCHEME (CSS) TYPE SCHEDULE ON T-103 FOR ADDITIONAL INFORMATION.
- REFER TO LINE TYPE KEY FOR NEW, EXISTING TO REMAIN, OR DEMO LINE TYPE.
- "C#" INDICATES INFORMATION OUTLET FACEPLATE CONFIGURATION. REFER TO INFORMATION OUTLET SCHEDULE ON T006 FOR ADDITIONAL INFORMATION.
- INFORMATION OUTLET INSTALLED IN E.C. PROVIDED FLOOR BOX. "C#" INDICATES INFORMATION OUTLET FACEPLATE CONFIGURATION. REFER TO INFORMATION OUTLET SCHEDULE FOR ADDITIONAL INFORMATION. REFER TO THE ELECTRICAL FLOOR PLANS AND ELECTRICAL EQUIPMENT SCHEDULE FOR ADDITIONAL INFORMATION.

SUGGESTED MATRIX OF RESPONSIBILITY

ITEM:	SHOWN ON:	FURNISHED BY:	INSTALLED BY:	NOTES:
TECHNOLOGY ROUGH-IN. REFER TO TECHNOLOGY EQUIPMENT SCHEDULE AND SPECIFICATIONS FOR DEFINITION	T-SERIES	E.C.	E.C.	3, 4.
INFORMATION OUTLET PATCH PANEL, PATCH CORDS, FACEPLATES, JACKS, AND TERMINATIONS	T-SERIES	OWNER	OWNER	
CONDUIT SLEEVES (WHEN SHOWN ON DRAWINGS)	T-SERIES	E.C.	E.C.	
CONDUIT SLEEVES (NOT SHOWN BUT REQUIRED FOR PROPER INSTALLATION OF SYSTEM)	N/A	T.C.	T.C.	2, 4.
TELECOMMUNICATION SYSTEMS	T-SERIES	T.C.	E.C.	1.
TELECOMMUNICATION CABLEING	T-SERIES	T.C.	T.C.	
GROUNDING LUGS ON TECHNOLOGY EQUIPMENT	T-SERIES	T.C.	E.C.	6.
LINE VOLTAGE POWER (+120V OR GREATER)	E-SERIES	E.C.	E.C.	
LINE VOLTAGE POWER (NOT SHOWN BUT REQUIRED FOR PROPER INSTALLATION OF SYSTEM)	N/A	T.C.	E.C.	2, 4.
LINE VOLTAGE POWER FOR DOOR HARDWARE POWER SUPPLIES	ARCH SPEC	E.C.	E.C.	
LOW VOLTAGE CABLEING FOR TECHNOLOGY SYSTEMS	T-SERIES	T.C.	T.C.	
CABLE HANGERS AND SUPPORTS OR OTHER CABLE ROUTING METHODS (OTHER THAN CONDUIT AND CABLE TRAY)	T-SERIES	T.C.	T.C.	5.

SUGGESTED MATRIX OF RESPONSIBILITY NOTES

- LOCATIONS OF TELECOMMUNICATIONS ROUGH-INS SHALL BE INDICATED BY THE INFORMATION OUTLET SYMBOLS ON THE DRAWINGS. REFER TO THE TECHNOLOGY SYMBOL LIST FOR ADDITIONAL INFORMATION.
- BASED ON THE INHERENT DIFFERENCES IN PRODUCTS FROM VARIOUS MANUFACTURERS, ALL REQUIRED EQUIPMENT MAY NOT BE SHOWN ON THE DRAWINGS FOR ALL ACCEPTABLE MANUFACTURERS.
- INCLUDES BACKBOXES AND CONDUIT REQUIRED FOR THE TECHNOLOGY SYSTEMS INSTALLATION. THE E.C. SHALL BASE THE BID ON THE BASIS OF DESIGN SHOWN ON THE CONTRACT DOCUMENTS.
- ALL CHANGES TO THE SLEEVES, BACKBOXES, CONDUITS, AND POWER REQUIRED BECAUSE OF THE T.C.'S SELECTION OF AN ALTERNATE ACCEPTABLE MANUFACTURER OR FROM SYSTEM CONFIGURATIONS THAT ARE LEFT TO THE CHOICE OF THE CONTRACTOR SHALL BE INCLUDED IN THE T.C.'S BID. THIS BID SHALL INCLUDE INSTALLATION BY A LICENSED ELECTRICIAN.
- UNLESS TRADE RULES DICTATE OTHERWISE.
- FURNISHED AS PART OF THE EQUIPMENT WHEN POSSIBLE, OR FURNISHED TO THE E.C. FOR INSTALLATION IN THE FIELD.

TECHNOLOGY GENERAL NOTES:

- ###-###-# INDICATES TECHNOLOGY EQUIPMENT SCHEDULE ITEM LABELED AS "EQUIPMENT LIST ABBREVIATION"
- REFER TO TECHNOLOGY EQUIPMENT SCHEDULE AND SPECIFICATIONS FOR FULL DESCRIPTIONS AND MANUFACTURERS OF ALL DEVICES.

TECHNOLOGY MOUNTING SUBSCRIPT KEY:
A MOUNT AT +6" TO CENTERLINE ABOVE COUNTER OR BACKSPASH
H MOUNT ORIENTED HORIZONTALLY
L MOUNT IN CASEWORK
M MOUNT IN MODULAR FURNITURE
S MOUNT IN SURFACE RACEWAY

A SLASH IS USED BETWEEN TWO SUBSCRIPTS, E.G., A/H.

TECHNOLOGY INSTALLATION NOTES:

- THE COMPLETE INSTALLATION SHALL BE IN ACCORDANCE WITH THE ADA STANDARDS FOR ACCESSIBLE DESIGN. REFER TO THE ADA GUIDELINES FOR ALL CONFIGURATION DETAILS ON THIS PAGE FOR ADDITIONAL INFORMATION.
- CONCEAL ALL CONDUIT IN WALLS, PARTITIONS, ABOVE CEILING, IN FLOOR SLAB, ETC. UNLESS OTHERWISE INDICATED ON THE PLANS OR IN THE SPECIFICATIONS. CONDUIT IN MECHANICAL ROOMS AND STORAGE ROOMS WITHOUT CEILINGS MAY BE EXPOSED ON BUILDING STRUCTURE.
- BOXES LOCATED ON OPPOSITE SIDES OF NON-RATED WALLS SHALL BE OFFSET A MINIMUM OF 6" HORIZONTALLY. BOXES ON OPPOSITE SIDES OF FIRE RATED WALLS SHALL BE OFFSET A MINIMUM OF 24" HORIZONTALLY. THROUGH-WALL BOXES SHALL NOT BE ALLOWED WITHOUT PRIOR WRITTEN APPROVAL OF THE ARCHITECT/ENGINEER.
- VERIFY ALL FURNITURE, MODULAR FURNITURE, AND EQUIPMENT LOCATIONS WITH ARCHITECTURAL PLANS, ELEVATIONS, AND RELEVANT SHOP DRAWINGS. PRIOR TO MAKING THE ACTUAL TELECOMMUNICATIONS INSTALLATION, ADJUST OUTLETS OR CONNECTION LOCATIONS TO ACCOMMODATE FURNITURE AND/OR EQUIPMENT.
- TELECOMMUNICATIONS EQUIPMENT SHALL BE MOUNTED TO ALLOW ACCESS TO ELECTRICAL AND MECHANICAL EQUIPMENT. ALL MOUNTING OF TELECOMMUNICATION DEVICES ON EQUIPMENT SUPPLIED BY ANOTHER CONTRACTOR SHALL BE APPROVED IN ADVANCE BY THE OTHER CONTRACTOR.
- CONTRACTOR SHALL BE RESPONSIBLE FOR ALL OPENINGS REQUIRED IN WALLS. ALL OPENINGS SHALL BE REPAIRED TO MATCH EXISTING BY A QUALIFIED CONTRACTOR AT THE EXPENSE OF THIS CONTRACTOR. ALL CONDUITS THROUGH WALLS SHALL BE GROUTED OR SEALED INTO OPENINGS.
- ALL MATERIALS USED TO SEAL PENETRATIONS OF FIRE RATED WALLS AND FLOORS SHALL BE TESTED AND CERTIFIED AS A SYSTEM PER ASTM E814 STANDARDS FOR FIRE TESTS OF THROUGH-PENETRATION FIRESTOPS. REFER TO 27 05 03 AND 28 05 03 DIVISION 7 26 05 03 FOR ADDITIONAL INFORMATION AND REQUIREMENTS SPECIFIC TO FIRESTOPPING.
- THE TECHNOLOGY CONTRACTORS RESPONSIBLE FOR REMOVAL AND REPLACEMENT OF THE CEILINGS, CEILING TILES, AND CEILING GRID ASSOCIATED WITH THE AREAS OF WORK BY ALL CONTRACTORS. NOTIFY THE GENERAL CONTRACTOR OF AFFECTED AREAS PRIOR TO BIDDING.
- ALL LADDER RACK AND CABLE TRAY SIZES ARE AS DEFINED ON THE DRAWINGS. REFER TO SPECIFICATION SECTIONS 27 05 28 AND 27 11 00 FOR APPROVED MANUFACTURERS AND INSTALLATION REQUIREMENTS.
- EACH CONTRACTOR IS RESPONSIBLE FOR DAMAGE CAUSED BY THEIR ACTIONS TO THE WALLS, FLOORS, CEILINGS, AND ROOFS. THE CONTRACTOR WHOSE WORK CAUSES DAMAGE IS RESPONSIBLE FOR PATCHING TO MATCH ORIGINAL CONSTRUCTION, FIRE RATING, AND FINISH. NTD: EDIT TO MATCH SCOPE
- TELECOMMUNICATIONS EQUIPMENT SHALL BE MOUNTED TO MATCH ORIGINAL CONSTRUCTION (DIMENSION), EXCEPT WHERE OTHERWISE NOTED. OUTLETS MAY BE SURFACE MOUNTED WHEN CONDUIT IS SPECIFIED EXPOSED.
- MOUNT BACKBOXES FLUSH WITH WALL, AND REVIEWED SHOP DRAWINGS. PRIOR TO MAKING THE ACTUAL TELECOMMUNICATIONS INSTALLATION, ADJUST OUTLETS OR CONNECTION LOCATIONS TO ACCOMMODATE FURNITURE AND/OR EQUIPMENT.
- PROVIDE RACEWAY AND BOXES LISTED FOR THE INSTALLED ENVIRONMENT. SEAL RACEWAY AND BOX FROM WATER AND MOISTURE AT TRANSITION BETWEEN DIFFERENT ENVIRONMENTAL CONDITIONS SUCH AS INTERIOR/EXTERIOR, TEMPERATURE CHANGES, ETC.

TECHNOLOGY DEMOLITION NOTES

- THE DRAWINGS INDICATE EXISTING ITEMS TO BE REMOVED. THE DRAWINGS ARE INTENDED TO INDICATE THE SCOPE OF WORK REQUIRED AND DO NOT INDICATE EVERY BOX, CONDUIT, OR WIRE THAT MUST BE REMOVED. THE CONTRACTOR SHALL VISIT THE SITE PRIOR TO SUBMITTING A BID AND VERIFY EXISTING CONDITIONS.
- ITEMS (i.e. SPEAKERS, SWITCHES, ETC.) REMOVED AND NOT RELOCATED REMAIN THE PROPERTY OF THE OWNER. THE CONTRACTOR SHALL BE RESPONSIBLE FOR THE DISPOSAL OF MATERIAL. THE OWNER DOES NOT WANT TO REUSE OR RETAIN. (i.e., FOR MAINTENANCE PURPOSES).
- EXISTING TO REMAIN DEVICES WITHIN OR ADJACENT TO THE PATH OF CONSTRUCTION SHALL BE PROTECTED IN PLACE. DEVICES THAT MUST BE REMOVED SHALL BE TESTED PRIOR TO REMOVAL, PROTECTED FROM DAMAGE, AND RE-INSTALLED IN ITS ORIGINAL LOCATION DURING THE NEW CONSTRUCTION PHASE OF THE PROJECT.
- OBTAIN APPROVAL FROM THE OWNER BEFORE TURNING OFF THE POWER TO EQUIPMENT, SYSTEMS, PANELS, ETC. COORDINATE ALL OUTAGES WITH OWNER. CONDUIT CONCEALED IN WALL CONSTRUCTION MAY BE ABANDONED IN PLACE IF NOT AFFECTED BY OTHER CONSTRUCTION.
- ALL CONDUIT SHALL BE REMOVED WHERE WALLS ARE BEING REMOVED. WHERE CONDUIT IS IN THE CONCRETE SLAB, CUT OFF FLUSH, PULL OUT WIRE, AND PLUG. WHERE CONDUIT IS RUN EXPOSED, ALL ASSOCIATED CLAMPS, SUPPORTS, HANGERS, ETC. SHALL ALSO BE REMOVED.
- COORDINATE ALL WORK WITH OTHER CONTRACTORS AT THE JOB SITE BEFORE REMOVING EXISTING EQUIPMENT AND INSTALLING NEW ITEMS.
- EXISTING CONDUIT IN GOOD CONDITION, MAY BE REUSED IN PLACE. RELOCATING EXISTING CONDUIT SHALL NOT BE ALLOWED. BONDING CONDUCTORS SHALL BE INSTALLED IN ALL REUSED CONDUIT TO ASSURE PROPER GROUND PATH.
- EQUIPMENT REMOVAL IN CERTAIN LOCATIONS MAY REQUIRE THE INSTALLATION OF A JUNCTION BOX TO RECONNECT CIRCUITS THAT REMAIN IN OPERATION. EXTEND CONDUIT AND WIRING AS REQUIRED TO MAINTAIN POWER TO REMAINING EQUIPMENT.
- DEVICES TO BE REMOVED SHALL HAVE ALL CONNECTED WIRING REMOVED TO THE SOURCE.
- DEVICES NOT TO BE REMOVED SHALL BE PROTECTED FROM THE ENVIRONMENT, AND ALL ASSOCIATED CABLE/RACEWAYS ARE TO REMAIN AND BE PROTECTED. T.C. SHALL BE RESPONSIBLE FOR REPAIR OF ANY INTERRUPTIONS TO PROTECTED DEVICES.

PROJECT NAME
DAS - SHB - ARCHIVES STORAGE RENOVATION DAS # 9485.00

TECHNOLOGY SHEET INDEX

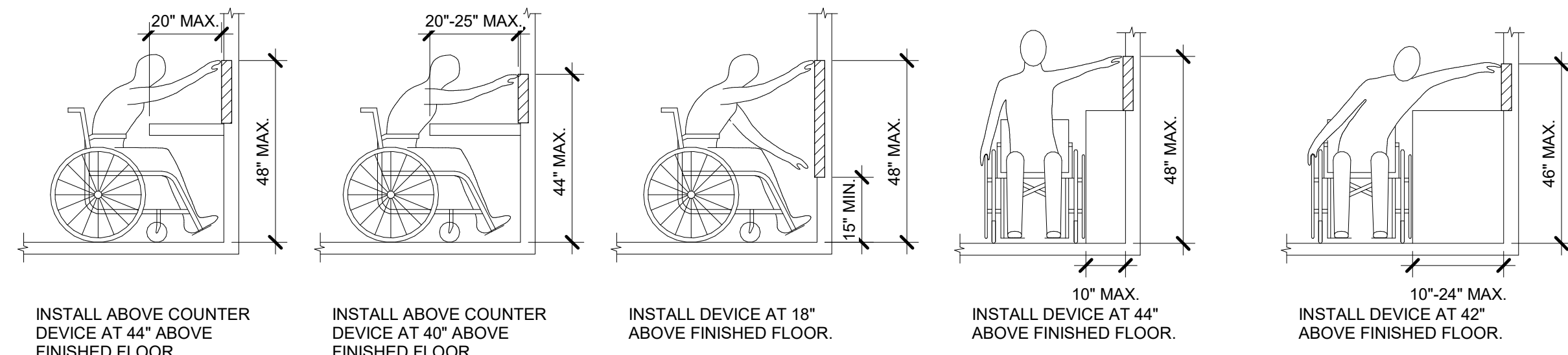
T-000	TECHNOLOGY COVERSHEET
TD101	FIRST FLOOR DEMOLITION PLAN - TECHNOLOGY
T-102	FIRST FLOOR PLAN - TECHNOLOGY
T-103	TECHNOLOGY DETAILS
GRAND TOTAL:	4

ARCHITECT OF RECORD
Neumann Monson Architects
221 East College Street | Suite 303
Iowa City, Iowa 52240
563.338.7878

111 East Grand Avenue, Suite 105
Des Moines, Iowa 50309
515.339.7500

CONSULTANTS
IMEG Corp
MEP
2882 106th St.
Des Moines, IA 50322
515.334.4339

NEUMANN MONSON ARCHITECTS



ADA GUIDELINES - FRONT ACCESS

ADA GUIDELINES - SIDE ACCESS

ADA STANDARDS FOR ACCESSIBLE DESIGN

IMEG 2882 106TH STREET
DES MOINES, IA 50322
515.334.0900 F 515.334.9008

www.imegcorp.com

IMEG CORP. RESERVES PROPRIETARY RIGHTS, INCLUDING COPYRIGHTS, TO THIS DRAWING AND THE DATA SHOWN THEREON. SAID DRAWING AND/OR DATA ARE THE EXCLUSIVE PROPERTY OF IMEG CORP. AND SHALL NOT BE USED OR REPRODUCED FOR ANY OTHER PROJECT WITHOUT THE EXPRESS WRITTEN APPROVAL AND PARTICIPATION OF IMEG CORP. ©2005 IMEG CORP.

SCALE IN INCHES PROJECT 42010308.00

OWNER

PROJECT NO. 22055

ISSUE

DATE	DESCRIPTION
08/19/05	100% CONSTRUCTION DOCUMENTS
11/16/05	ADDENDUM 3

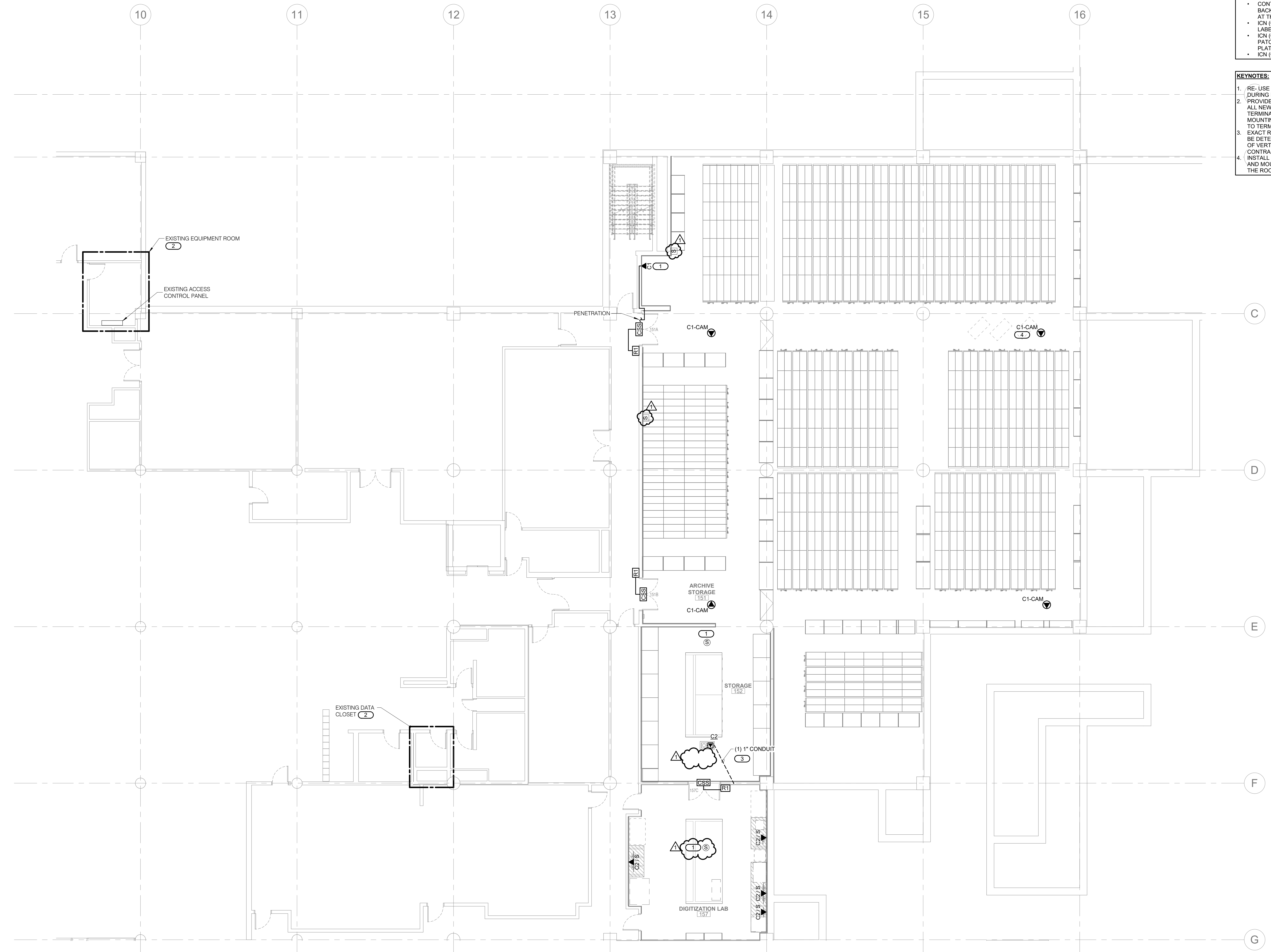
© NEUMANN MONSON INC. Unauthorised copying, disclosure or construction without written permission by Neumann Monson Inc. is prohibited.

SHEET NAME
TECHNOLOGY COVERSHEET

SHEET NUMBER
T-000

- SHEET NOTES:**
- REFER TO T-000 FOR TECHNOLOGY SYMBOL LIST AND GENERAL TECHNOLOGY INSTALLATION NOTES.
 - REFER TO T-000 FOR TECHNOLOGY EQUIPMENT SCHEDULE.
 - ALL ACCESS CONTROL CABLING IN THIS SHEET SHALL BE SERVED FROM THE EXISTING EQUIPMENT ROOM.
 - ALL NEW STRUCTURED CABLING IN THIS SHEET SHALL BE SERVED FROM THE EXISTING DATA CLOSET.
 - PROVIDE NEW DATA CONDUIT AND ETHERNET CABLE FROM PENETRATION ABOVE DOUBLE DOOR. SURFACE CONDUIT IS ALLOWED.
 - SECURITY CAMERA EQUIPMENT AND PROGRAMMING BY OWNER. T.C. TO PROVIDE CABLING TO THE EXISTING DATA CLOSET.
 - THE CONTRACTOR SCOPE OF WORK SHALL BE AS FOLLOWS:
 - CONTRACTOR TO DEMO ALL CABLES BACK TO SOURCE THAT ARE CALLED OUT ON THE DEMO PLAN.
 - CONTRACTOR TO PROVIDE PATHWAYS FOR ALL VOICE/DATA AND CAMERAS.
 - CONTRACTOR TO PROVIDE CAT5 CABLING FOR ALL VOICE/DATA AND CAMERAS.
 - CONTRACTOR TO PROVIDE RACEWAY AND BACKBOX FROM CEILING TO MOUNT CAMERA AT THE IDENTIFIED HEIGHT.
 - ICN (OWNER) TO TEST, TERMINATE AND LABEL ALL CABLES.
 - ICN (OWNER) WILL PROVIDE ALL JACKS, PATCH CORDS, PATCH PANELS, AND COVER PLATES.
 - ICN (OWNER) WILL MOUNT ALL CAMERAS.

- KEYNOTES:** (C)
- RE-USE THE PROTECTED DEVICE REMOVED DURING RENOVATION.
 - PROVIDE A NEW PATCH PANEL SC-MPP-1 FOR ALL NEW LOW VOLTAGE CABLING TERMINATIONS. COORDINATE FINAL RACK MOUNTING LOCATION WITH THE OWNER PRIOR TO TERMINATIONS.
 - EXACT ROUTINGS OF CONDUIT TO FLOORBOX TO BE DETERMINED BY E.C. COORDINATE ROUTING OF VERTICAL PATHWAY WITH TELECOM CONTRACTOR.
 - INSTALL 4" SQUARE BOX ROUGH-IN FOR CAMERA AND MOUNT IN A THREADED ROD AT 2'-0" BELOW THE ROOF DECK.



PROJECT NAME
DAS - SHB - ARCHIVES STORAGE RENOVATION DAS # 9485.00

OWNER

PROJECT NO. 22035

ISSUE	DATE	DESCRIPTION
08/19/25	11/19/25	100% CONSTRUCTION DOCUMENTS
11/19/25		ADDENDUM 3

© NEUMANN MONSON INC.
 Unauthorised copying, disclosure or construction without written permission by Neumann Monson Inc. is prohibited.

SHEET NAME
FIRST FLOOR PLAN - TECHNOLOGY

SHEET NUMBER

T-102

1 FIRST FLOOR PLAN - TECHNOLOGY
 1/8" = 1'-0"

IMEG
 www.imegcorp.com
 IMEG CORP. RESERVES PROPRIETARY RIGHTS, INCLUDING COPYRIGHTS, TO THIS DRAWING AND THE DATA SHOWN THEREON. SAID DRAWING AND/OR DATA ARE THE EXCLUSIVE PROPERTY OF IMEG CORP. AND SHALL NOT BE USED OR REPRODUCED FOR ANY OTHER PROJECT WITHOUT THE EXPRESS WRITTEN APPROVAL AND PARTICIPATION OF IMEG CORP. ©2025 IMEG CORP.

2882 106TH STREET
 DES MOINES, IA 50322
 P: 515.334.9900 F: 515.334.9908

MEP SCALE IN INCHES PROJECT #22010338.00

