

G:\Shared drives\DNR LWB ENG Projects\77_Pol\25-05-77-05 Easter Lake Fish Barrier Extension\5_Design\25-05-77-05 Easter Lake Barrier Extension.dwg

Plot Date: 2/9/2026 12:56 PM



Iowa Department of Natural Resources
 Engineering Section - 6200 Park Ave., Suite 200 Des Moines, IA 50321-1270



Drawn by: JK	
Revision	Date

Bid Date:
02-26-2026

Project Number:
25-05-77-05

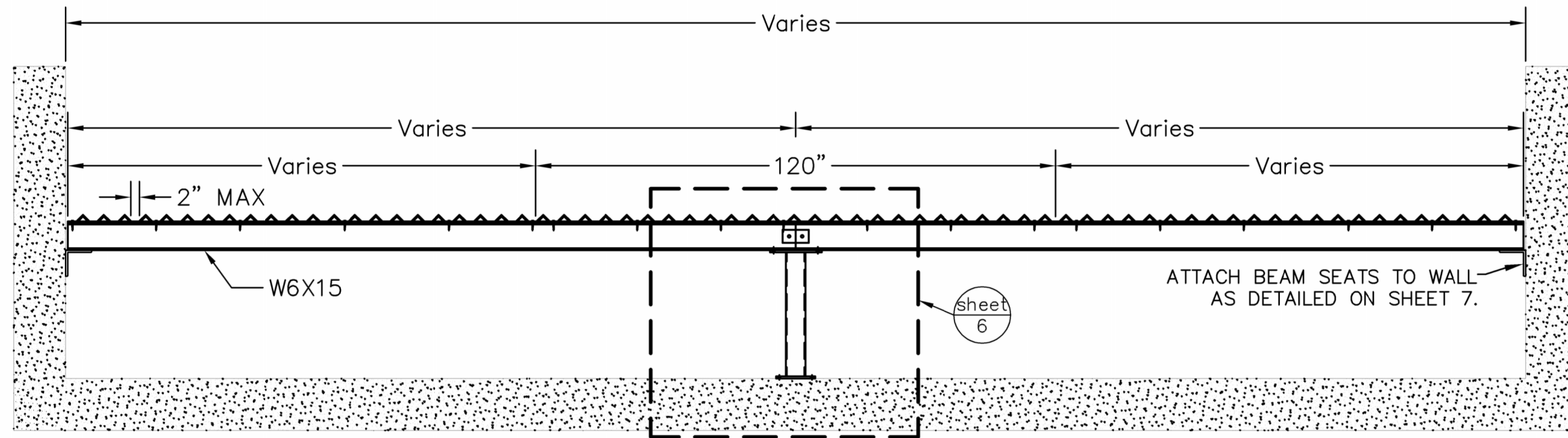
Fish Exclusion Barrier Extension
 Easter Lake Park, Polk County

Project Overview

Sheet No:
2

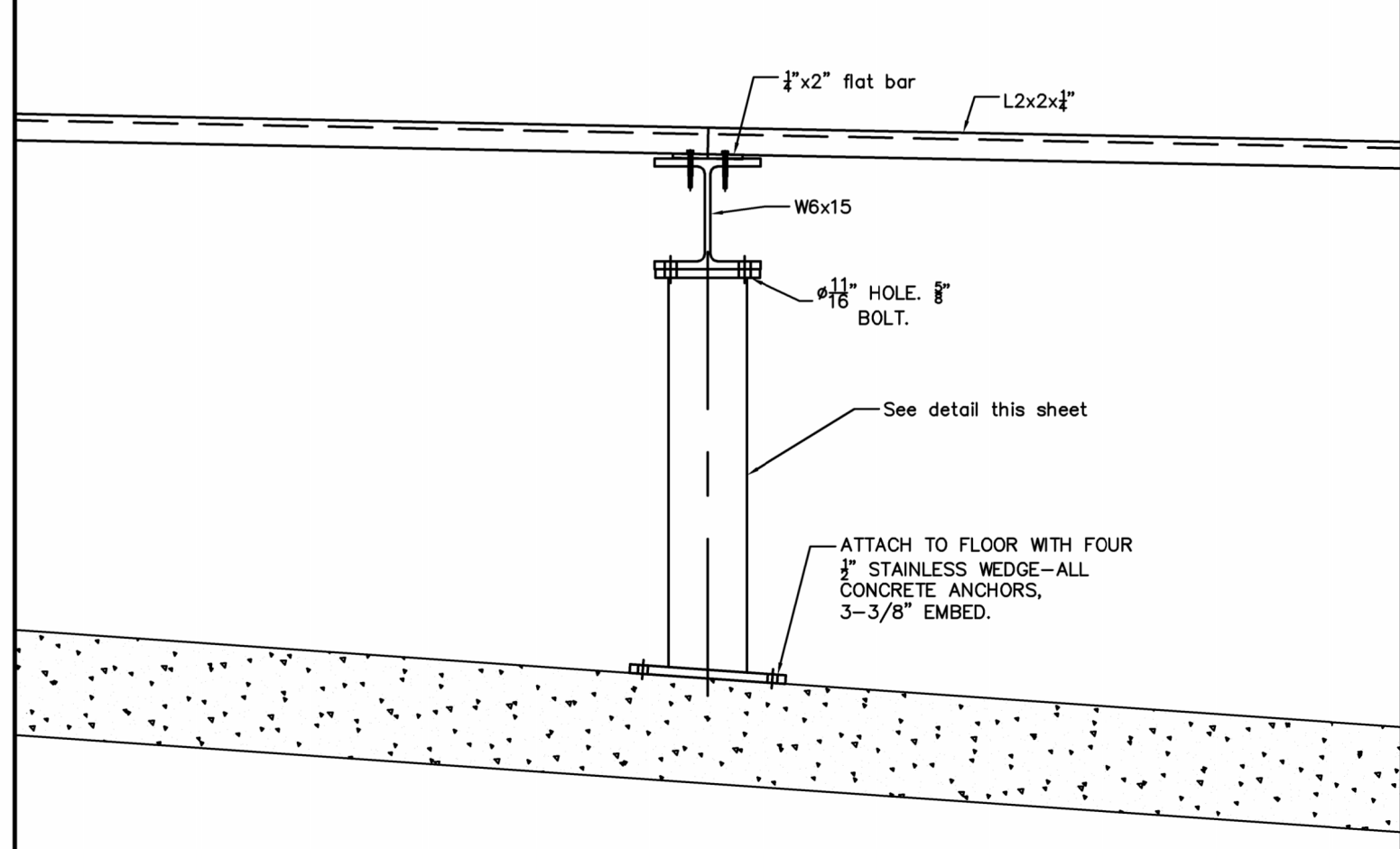
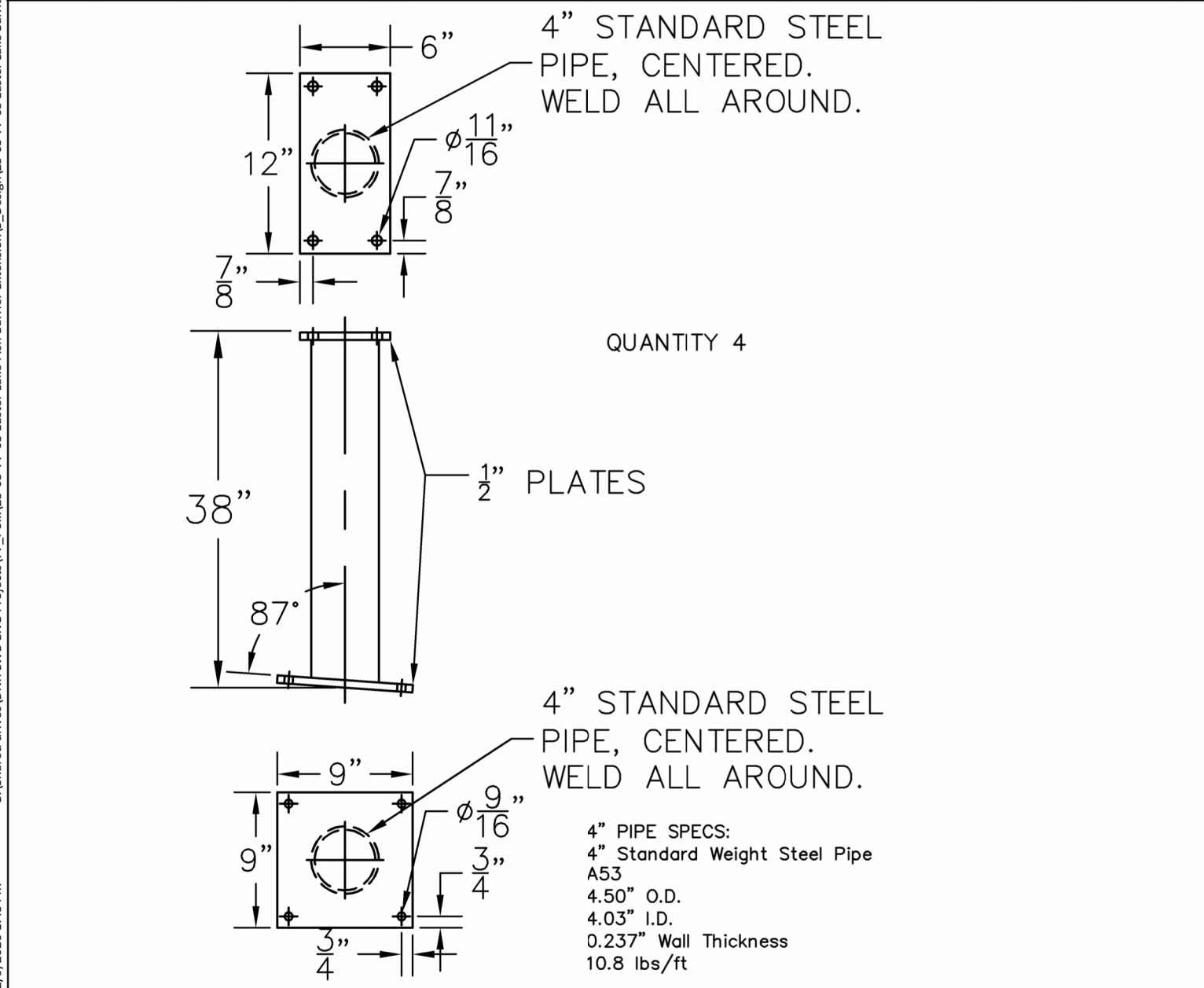
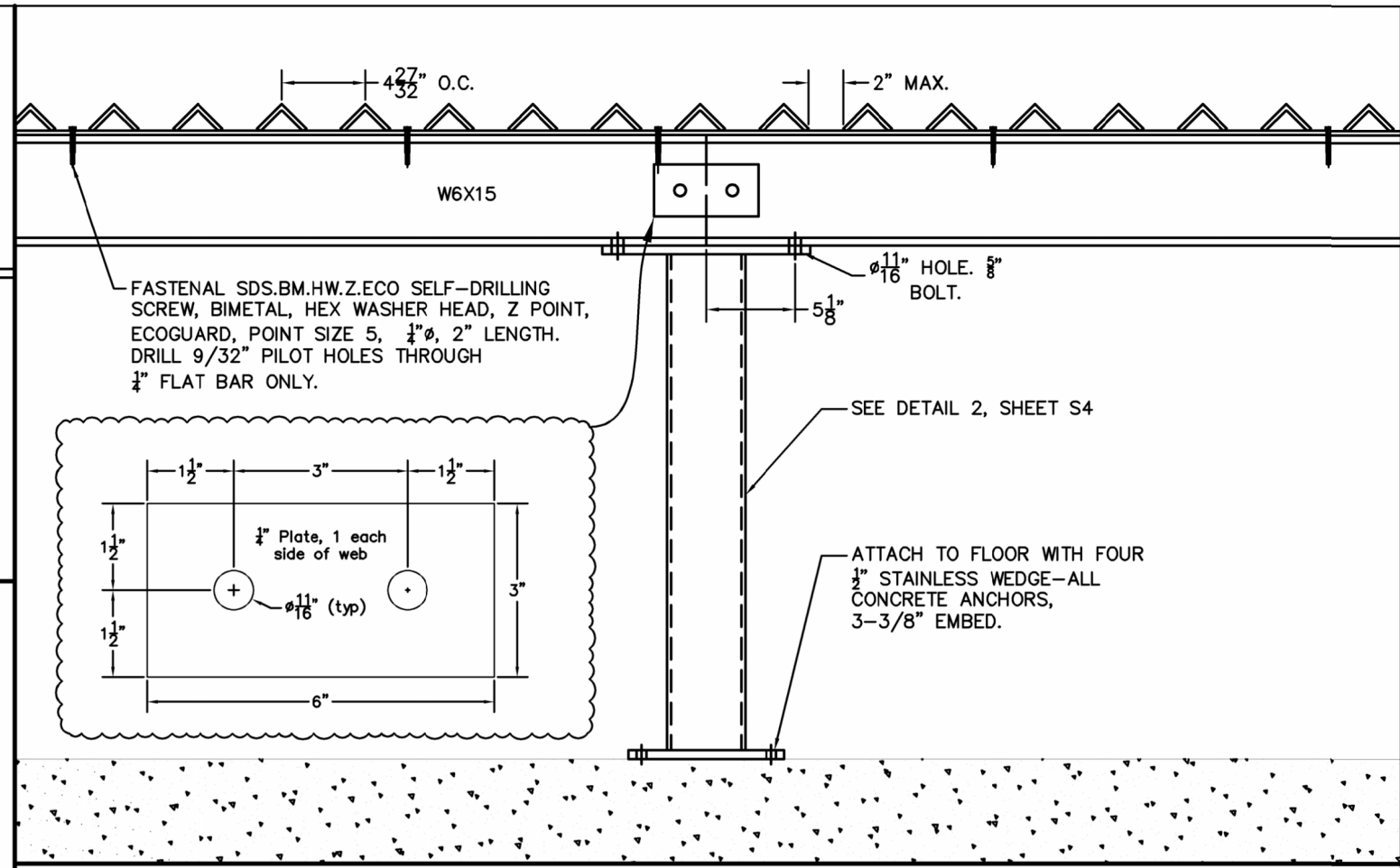
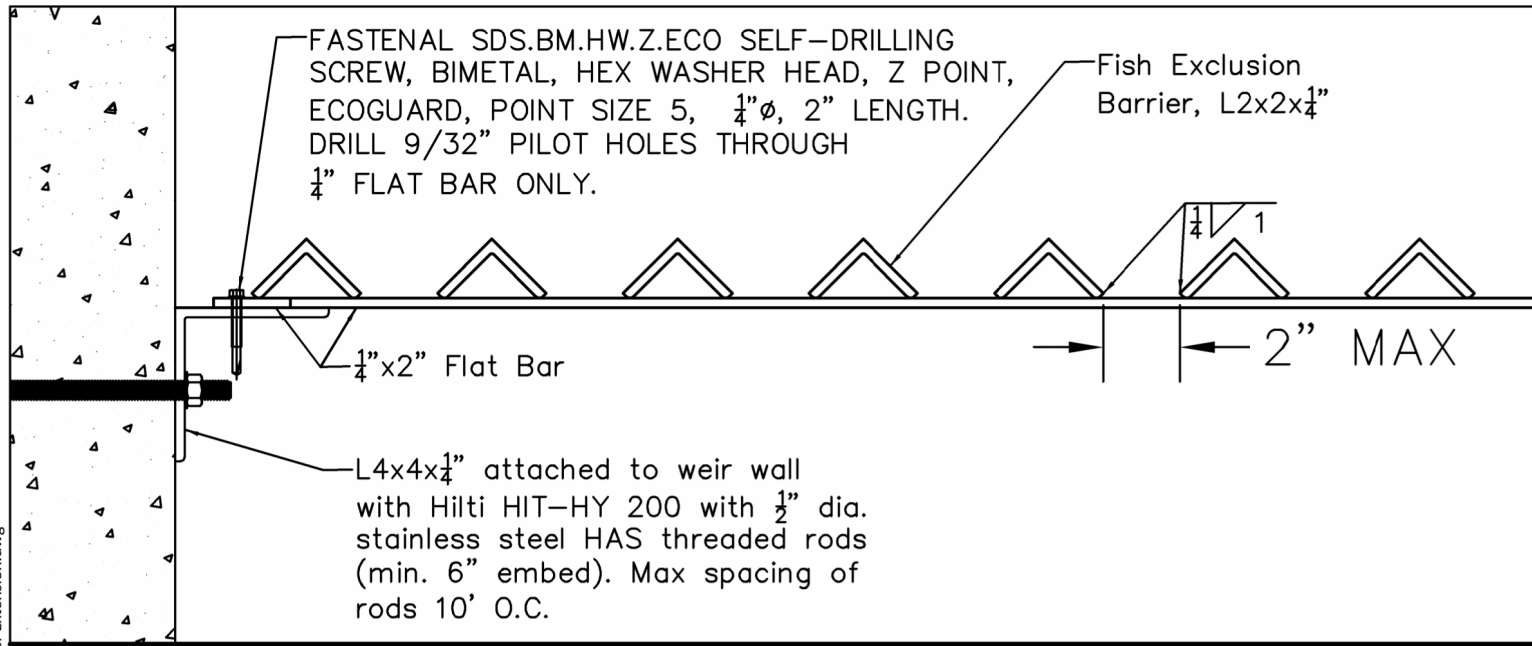
G:\Shared drives\DNR LWB ENG Projects\77_Polk\25-05-77-05 Easter Lake Fish Barrier Extension\5_Design\25-05-77-05 Easter Lake Barrier Extension.dwg

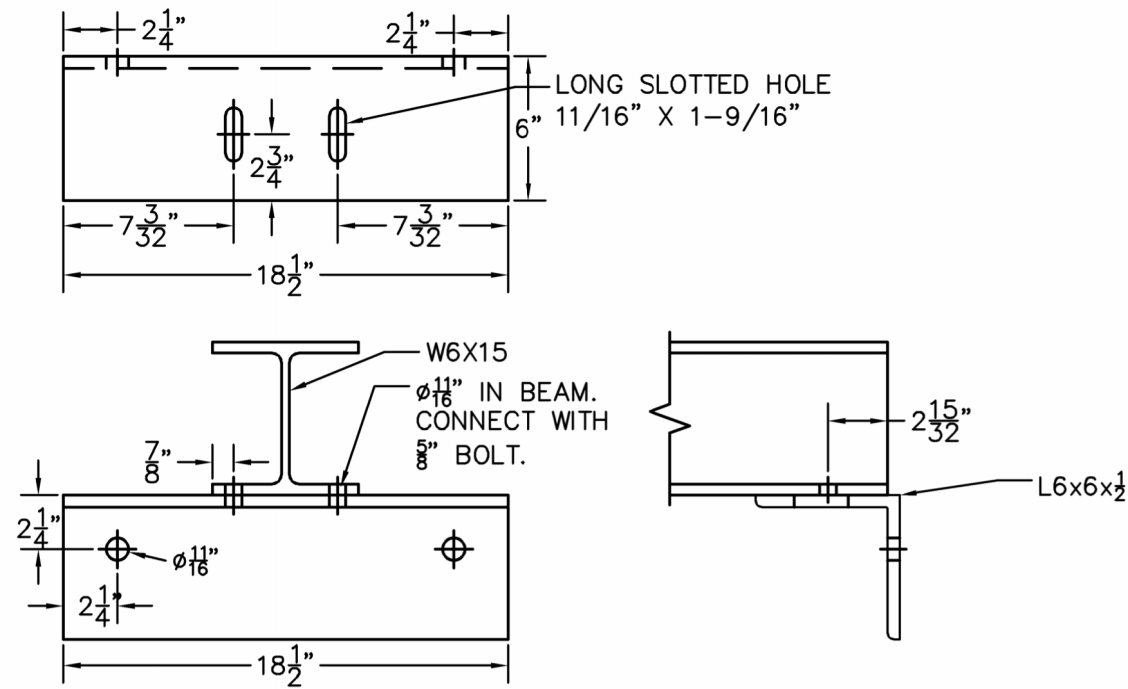
Plot Date: 2/9/2026 1:41 PM



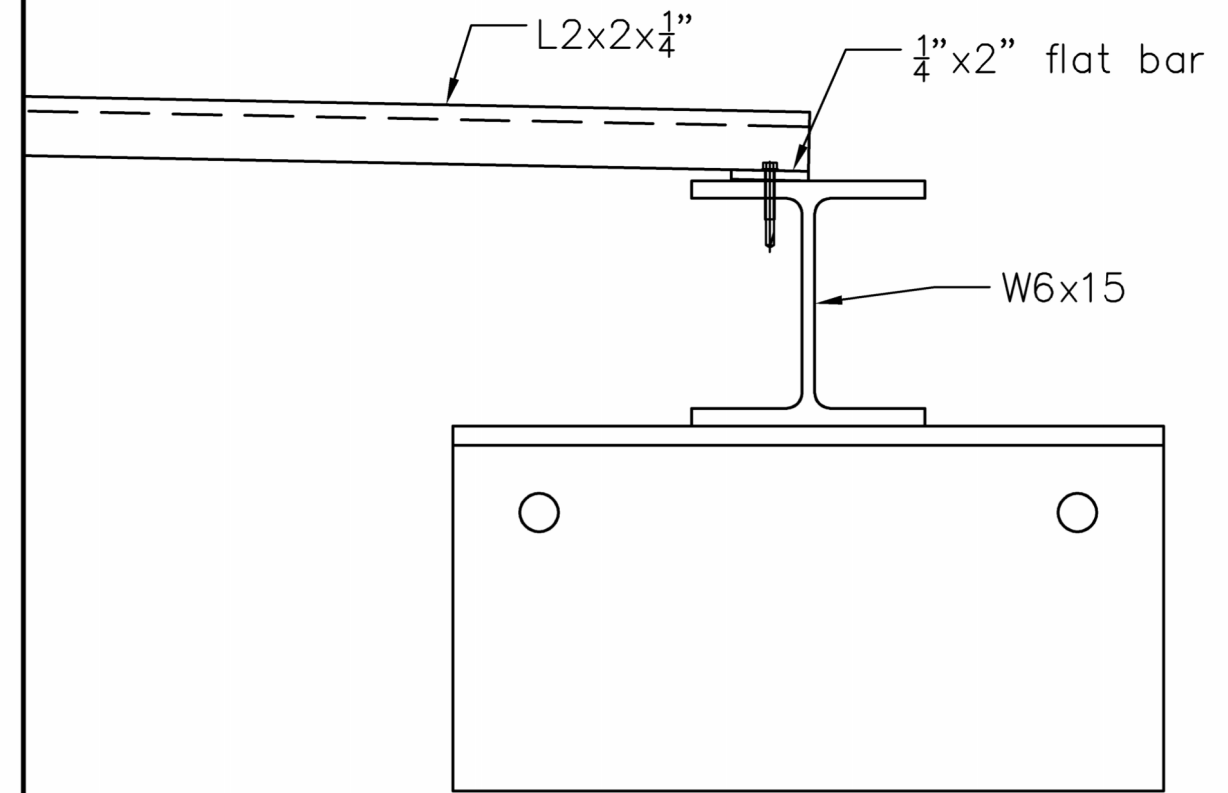
CONTRACTOR HAS OPTION TO MAKE W6X15 A CONTINUOUS LENGTH, IF AVAILABLE.

G:\Shared drives\DNR LWB ENG Projects\77_PolK\25-05-77-05 Easter Lake Fish Barrier Extension\5_Design\25-05-77-05 Easter Lake Barrier Extension.dwg
Plot Date: 2/9/2026 1:43 PM

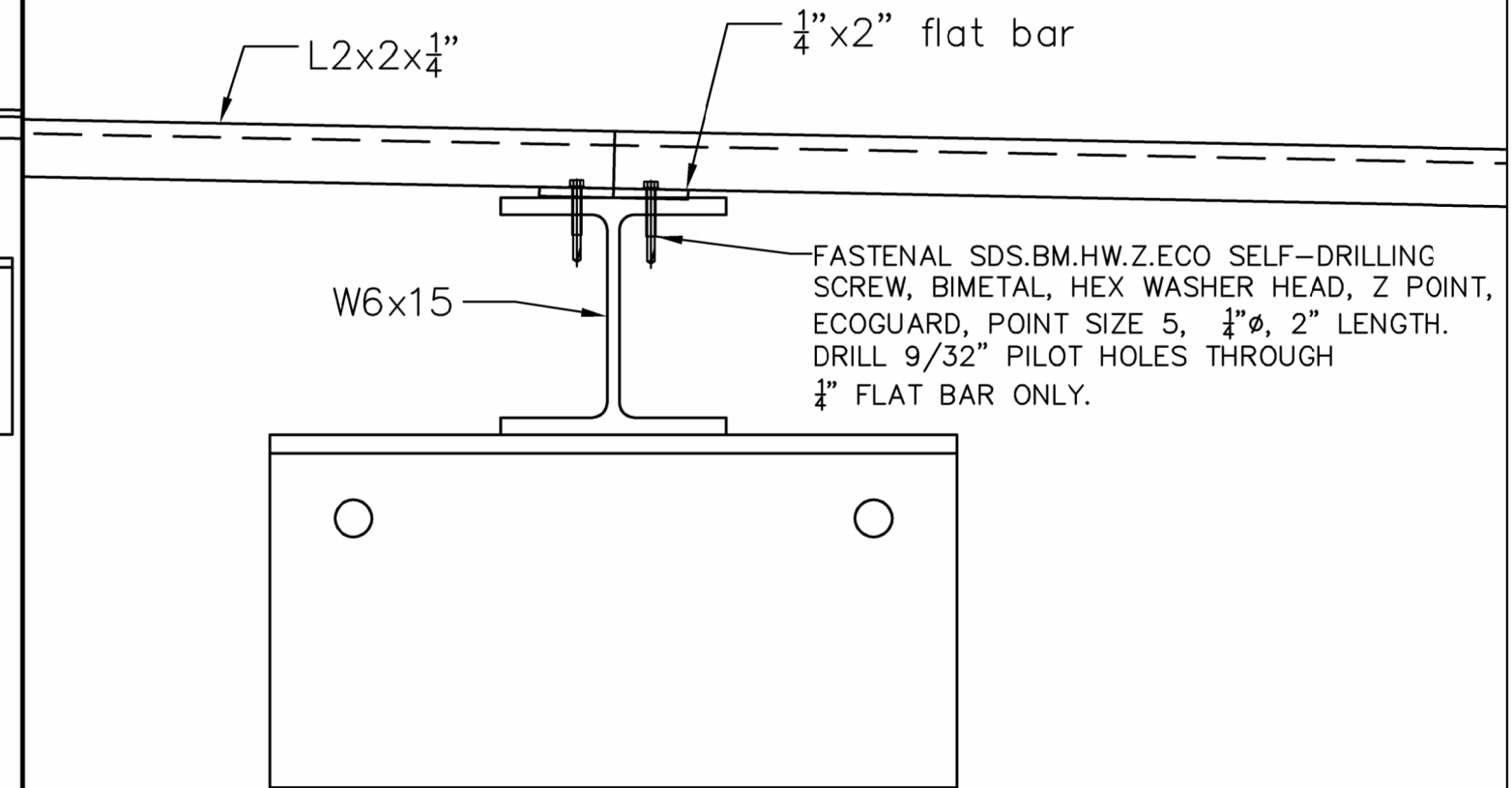
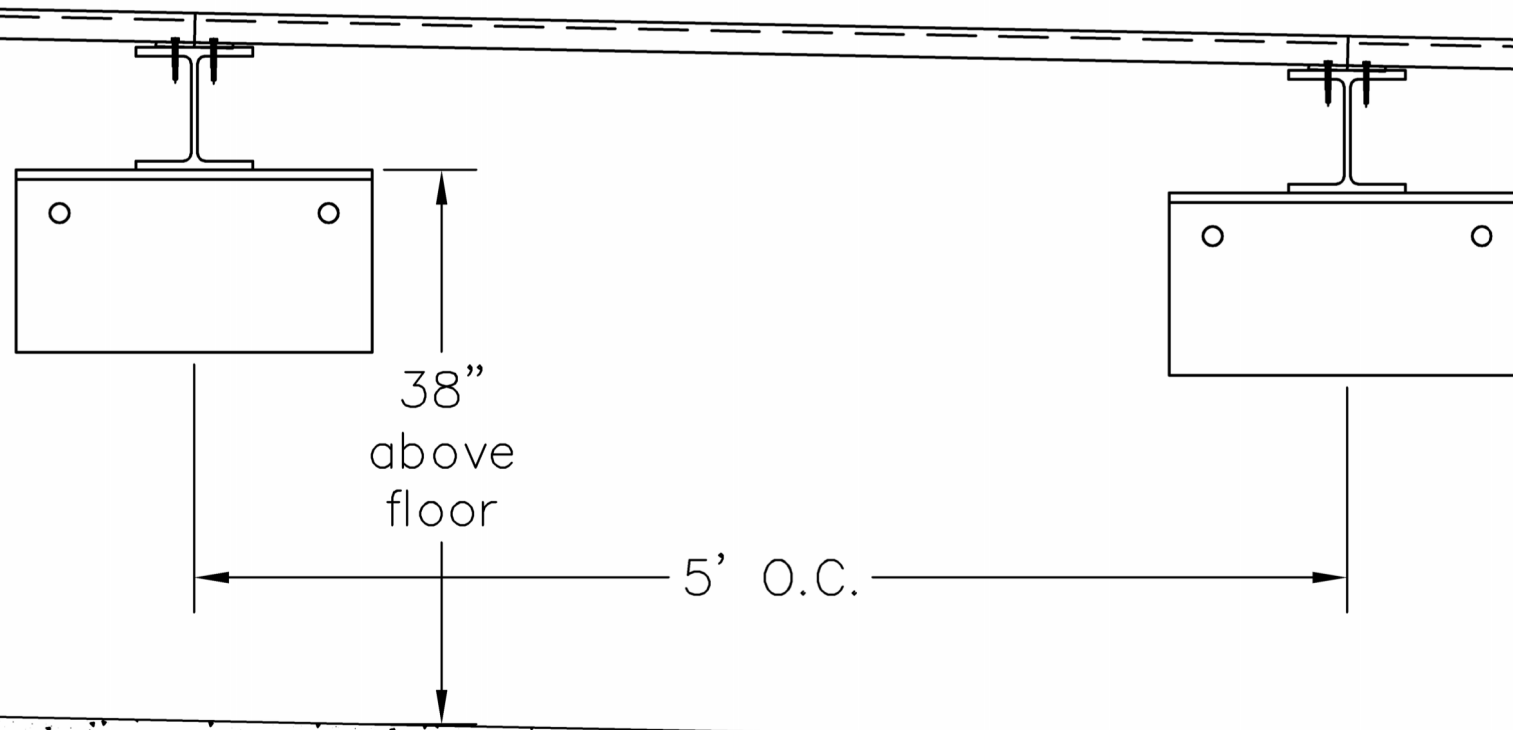




L6X6X $\frac{1}{2}$ " attached to wall with Hilti HIT-HY 200 with $\frac{5}{8}$ " stainless steel HAS threaded rods (min. 6" embed)



Beam Seat at End Panel



Beam Seat at Meeting of Two Panels

G:\Shared drives\DNR LWB ENG Projects\77_Polk\25-05-77-05 Easter Lake Fish Barrier Extension\77_Polk\25-05-77-05 Easter Lake Barrier Extension.dwg Plot Date: 2/9/2026 1:44 PM