

- Site Boundary
- Building
- Pavement
- Gravel
- Fence
- Gate
- Elevation Contours (10ft)
- Elevation Contours (2ft)



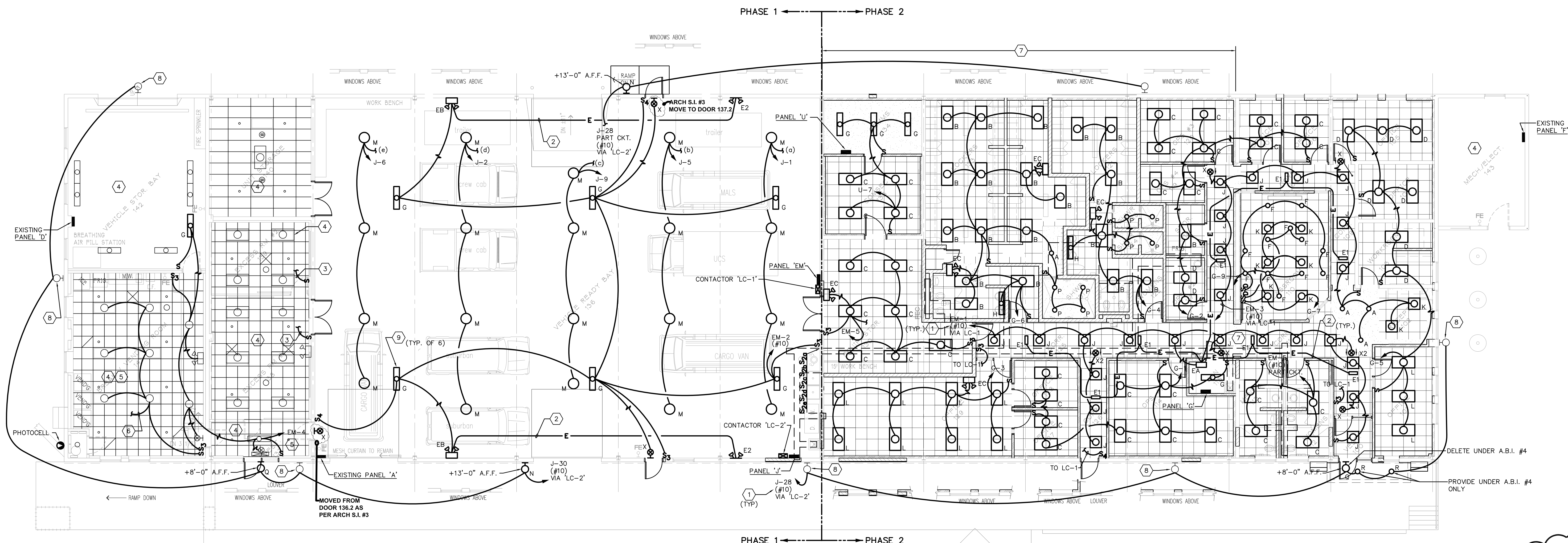
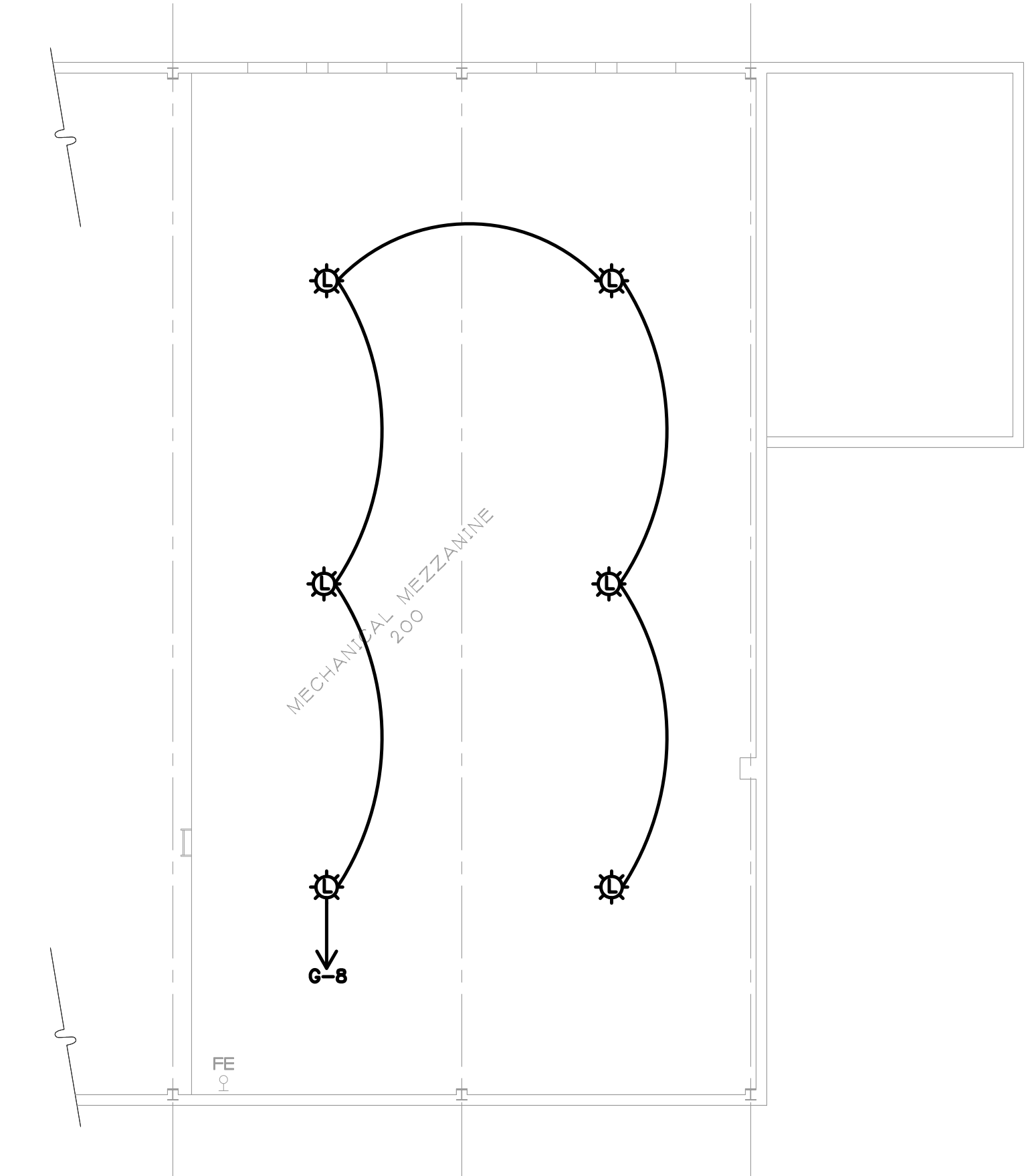
DES MOINES AASF/CST
 3100 MCKINLEY AVE
 Des Moines, IA 50321-2720
 Lat: 41.54007 Lon: -93.6599
 Site Number: 19B25



1:1,510

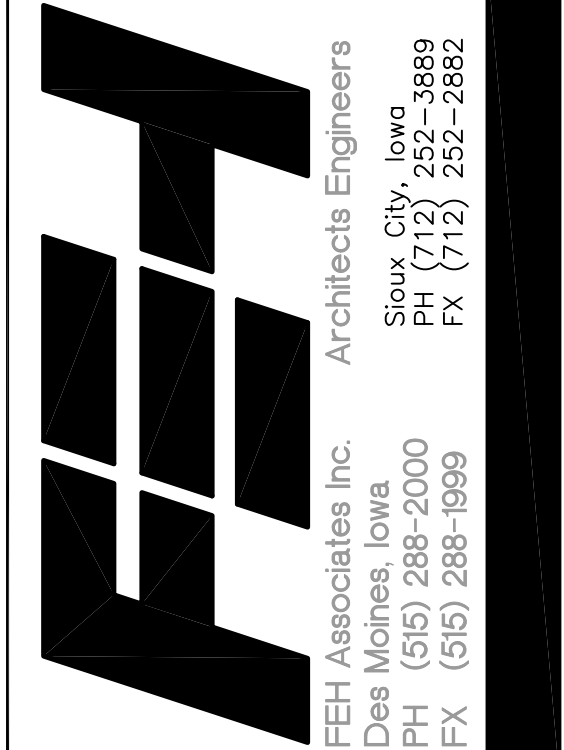
ELECTRICAL KEYNOTES (○)

- 1 PROVIDE MINIMUM CONDUCTOR SIZE AS SHOWN FOR CIRCUIT INDICATED.
- 2 ALL EMERGENCY WIRING SHALL BE INSTALLED IN SEPARATE CONDUIT AND #10 MINIMUM WIRE SIZE.
- 3 CONNECT TO SWITCH LIGHTS IN THIS ROOM.
- 4 EXISTING LIGHT FIXTURES TO REMAIN.
- 5 RECONNECT EXISTING LIGHT FIXTURES AS SHOWN. EXISTING CONDUIT AND WIRE MAY BE REUSED AS MUCH AS POSSIBLE.
- 6 RECONNECT TO EXISTING HOMERUN SERVING LIGHTING IN THIS AREA.
- 7 THE ENTIRE CORRIDOR HAS A FIRE RATED CEILING. USE APPROPRIATE METHODS TO ENSURE THAT THE FIRE RATING IS MAINTAINED WHEN INSTALLING LIGHT FIXTURES AND OTHER DEVICES IN THESE CEILINGS.
- 8 EXISTING FIXTURE TO REMAIN, RECONNECT AS INDICATED.
- 9 CHAIN MOUNT DOWN TO BOTTOM OF JOIST.



RECORD DRAWING
FEB 2003

LIGHTING PLAN
SCALE: 1/8" = 1'-0"



Sheet Title
LIGHTING PLAN

Consultant
FARRIS ENGINEERING
DESIGN ENGINEERS
3055 104th STREET
DES MOINES, IOWA 50322-3847
VOICE: (515) 331-0981
FAX: (515) 331-0982

WMD READY FACILITY
BUILDING 101

PROJECT NUMBER 0010
IOWA NATIONAL GUARD
DES MOINES INTERNATIONAL AIRPORT
3100 Mc KINLEY AVE.
DES MOINES, IOWA



Date: 07 SEPT. 2001
Drawn By: TVH
Revised:
Project Number
20202.03
Farris Project Number
00807-3
Sheet

E1.1
© FEH Associates Inc.
All rights reserved.

COPYRIGHT
This document and the information contained may not be reproduced or excerpted from without the express written permission of Farris Engineering, Inc. Unauthorized copying, disclosure or construction use are prohibited by the copyright law.

X:\19825 DES MOINES WMD\ARCH\01\01\Projects\001010_WMD Ready Facility Renovation\01 Drawings\A\Arch\01\01 Lighting Plan.dwg 01/11/2001 10:25am 3366.doc

Table 5. Electrical Requirements

	FUNCTIONAL AREA	LIGHTING	OUTLETS	NOTES
1	Assembly Hall	50 FC	1 duplex per 10 LF of wall	
2	Classrooms	70 FC	1 duplex per 10 LF of wall	
3	Library/Classroom	70 FC	1 duplex per 10 LF of wall	
4	Learning Center	70 FC	1 duplex per workstation	3
5	Distance Learning Center	70 FC	1 duplex per workstation	3
6	Indoor Firing Range	-	2 duplex	1
7	Training Device/Simulation Center	50 FC	REF: Vender Data	2
8	Training Aid Storage	20 FC	1 duplex per 20 LF of wall	
9	Kitchen	50 FC	minimum of 1 duplex per 10 LF of wall	
10	Break Room	50 FC	1 duplex per 10 LF of wall	
11	Vending Area	30 FC	1 duplex per 10 LF of wall	2
12	Toilets/Shower	30 FC	1 duplex GFCI per 2 sinks	
13	Flammable Materials Storage	30 FC	1 duplex XP	
14	Family Readiness Office	50 FC	1 duplex per wall	
15	RAPIDS Office	50 FC	1 duplex per wall	
16	Recruiting/Retention	50 FC	1 duplex per wall	
17	Audio/Visual Storage	35 FC	1 duplex per 20 LF of wall	
18	Table/Chair Storage	20 FC	1 duplex per 20 LF of wall	
19	Physical Fitness	50 FC	2 duplex per 8 LF of wall	2
20	Controlled Waste Handling Facility	30 FC	1 duplex per 20 LF of wall	
21	Unit Administration	50 FC	2 duplex per 50 ft ²	
22	Unit Storage (Heated)	30 FC	1 duplex per 20 LF of wall	
23	Locker Room Space	30 FC	1 duplex GFCI	
24	Maintenance Training Workbays	50 FC	1 duplex per 10 LF of wall	2
25	Supervisor's Office	50 FC	1 duplex per wall	
26	Inspection and Library	50 FC	1 duplex per 10 LF of wall	
27	Tool Room	30 FC	1 duplex per 20 LF of wall	
28	Supply Room	30 FC	1 duplex per 20 LF of wall	
29	Vault	30 FC 40	1 duplex	
30	SIPRNET Room	50 FC	1 duplex per wall	2

TABLE 5 – ABBREVIATIONS

FC	foot-candles
GFCI	ground fault circuit interrupter
LF	linear feet
XP	explosion proof

TABLE 5 – NOTES

All Electrical Power Systems/Service outlets in spaces must be designed and constructed in accordance with NFPA 70, National Electrical Code to accommodate the actual equipment layout. All Classified areas must be explosion proof construction to include lighting and power.

Lighting Systems must be designed in accordance with IESNA Lighting Handbook. The Lighting Power Densities in Watts/ST input must be in accordance with ANSI/ASHRAE/IESNA Standard 90.1-2004, Energy Standard for Buildings Except Low-Rise Residential Buildings. General Administrative and support areas lighting fixtures should be T-8 fluorescent lamps and high efficiency electronic ballasts to achieve a 0.85 Watts/SF lighting power density.

1. INDOOR FIRING RANGE LIGHTING FC REQUIREMENTS:
General lighting Behind Shooter 50 FC; Task Lighting @ Firing Line 60 FC; Direct/Indirect Lighting onTargets 100 FC.
2. Additional power for programmed equipment should be provided.
3. Multi-level switching or dimming should be provided.



Catalog Number	CPX 2X2 ALO7 SWW7 M4
Notes	
Type	F1

Contractor Select™
CPX™
 LED Panel

CPX™ from Lithonia lighting is the perfect choice for a quality LED panel at an affordable price. The smooth, even lens projects a crisp and clean aesthetic. CPX is the perfect choice for budget-conscious school, commercial office, or small retail footprint projects.

FEATURES:

- Industry standard wattages
- Long-life LEDs maintain greater than 70% of their lumen output at 50,000 hours
- 0-10V dimming driver, dims to 10%

WEIGHT:

2x2
 Unit: 6.39lbs
 Unit Carton: 7.72lbs
 Master Carton: 30.42lbs

2x4
 Unit: 11.02lbs
 Unit Carton: 13.89lbs
 Master Carton: 27.78lbs



Catalog Number	UPC	Description	Lumens	Input Watts	CCT	CRI	Voltage	Pallet qty.
CPX 2X2 3200LM 35K M4	191848338537	2x2 LED Panel	3555	31.5	3500K	80	120-277V	40
CPX 2X2 3200LM 40K M4	191848338650	2x2 LED Panel	3659	31.5	4000K	80	120-277V	40
CPX 2X2 3200LM 50K M4	193048313642	2x2 LED Panel	3737	31.5	5000K	80	120-277V	40
CPX 2X4 4000LM 35K M2	191848338490	2x4 LED Panel	4543	38.9	3500K	80	120-277V	20
CPX 2x4 4000LM 40K M2	191848338506	2x4 LED Panel	4692	38.9	4000K	80	120-277V	20
CPX 2X4 4000LM 50K M2	193048313680	2x4 LED Panel	4766	38.9	5000K	80	120-277V	20
CPX 1X4 ALO7 SWW7 M4	194994568063	1X4 Switchable Panel	See Switchable Table	See Switchable Table	3500K/4000K/5000K	>80	120-277V	40
CPX 2X2 ALO7 SWW7 M4	193048542806	2X2 Switchable Panel	See Switchable Table	See Switchable Table	3500K/4000K/5000K	>80	120-277V	40
CPX 2X4 ALO8 SWW7 M2	193048542844	2X4 Switchable Panel	See Switchable Table	See Switchable Table	3500K/4000K/5000K	>80	120-277V	20

NOTES

1. ILBLP CP10 HE SD A remote mounted only. See [ILBLP CP10 HE SD B spec sheet](#) and [ELA-PSMK-PSMKSD-PSDMT-PSRME remote mounting enclosure spec sheet here](#).



Accessories: Order as separate catalog number.

ILBLP CP10 HE SD A	IOTA 10 Watt Constant Power, High Efficiency LED Emergency Driver for CA Title 20 ¹
DGA14	Drywall grid adapter for 1X4 recessed fixture.
DGA22	Drywall grid adapter for 2x2 recessed fixture.
DGA24	Drywall grid adapter for 2x4 recessed fixture.
1X4SMKSH	Multi-Use Surface Mount Kit 1X4, Shallow Depth
2X2SMKSH	Multi-Use Surface Mount Kit 2x2, Shallow Depth
2X4SMKSH	Multi-Use Surface Mount Kit 2x4, Shallow Depth
1X4SMKSH PAF	Multi-Use Surface Mount Kit 1X4 Post-Paint
2X2SMKSH PAF	Multi-Use Surface Mount Kit 2X2 Post-Paint
2X4SMKSH PAF	Multi-Use Surface Mount Kit 2X4 Post-Paint
PAC 2DNF 36	Panel Air Craft Kit, 2 cables with Y splitter, No Power Feed, 36 inches. Recommended for 1X4 or 2X2 Panel Fixtures only.
PAC 2DF 36	Panel Air Craft Kit, 2 cables with Y splitter, with Power Feed, 36 inches. Recommended for 1X4 or 2X2 Panel Fixtures only. ¹
PAC 4DNF 36	Panel Air Craft Kit, 4 cables, No Power Feed, 36 inches. Recommended for 2X4, 1X4 or 2X2 Panel Fixtures.
PAC 4DF 36	Panel Air Craft Kit, 4 cables, with Power Feed, 36 inches. Recommended for 2X4, 1X4 or 2X2 Panel Fixtures. ¹
PAC 2DNF 72	Panel Air Craft Kit, 2 cables with Y splitter, No Power Feed 72 inches. Recommended for 1X4 or 2X2 Panel Fixtures only.
PAC 2DF 72	Panel Air Craft Kit, 2 cables with Y splitter, with Power Feed, 72 inches. Recommended for 1X4 or 2X2 Panel Fixtures only. ¹
PAC 4DNF 72	Panel Air Craft Kit, 4 cables, No Power Feed, 72 inches. Recommended for 2X4, 1X4 or 2X2 Panel Fixtures.
PAC 4DF 72	Panel Air Craft Kit, 4 cables, with Power Feed, 72 inches. Recommended for 2X4, 1X4 or 2X2 Panel Fixtures. ¹
RK8BDP 2P U	Disconnect Plug (BDP), 2 Pole, Package of 1
RK8BDP 3P U	Disconnect Plug (BDP), 3 Pole, Package of 1
RK8BDP 2P J10	Disconnect Plug (BDP), 2 Pole, Package of 10
RK8BDP 2P J40	Disconnect Plug (BDP), 2 Pole, Package of 40

Switchable Table						
Size(ft)	Nomenclature	Lumen Package	CCT	Lumen	Wattage	Efficacy
1x4	CPX 1X4 AL07 SWW7 M4	Low Lumen	3500K	2430	19.7	123.4
			4000K	2594	19.7	131.7
			5000K	2483	19.5	127.3
		Med Lumen	3500K	3289	28.4	115.8
			4000K	3583	27.2	131.7
			5000K	3369	28.2	119.5
		High Lumen	3500K	3914	35.7	109.6
			4000K	4280	33.7	127
			5000K	4009	35.5	112.9
2x2	CPX 2X2 AL07 SWW7 M4	Low Lumen	3500K	2399	19.1	125.6
			4000K	2570	18.5	138.9
			5000K	2456	19.1	128.6
		Med Lumen	3500K	3356	28.7	116.9
			4000K	3649	27.5	132.7
			5000K	3427	28.5	120.2
		High Lumen	3500K	4131	37.5	110.2
			4000K	4564	35.8	127.5
			5000K	4212	37.3	112.9
2x4	CPX 2X4 AL08 SWW7 M2	Low Lumen	3500K	3813	28.94	131.8
			4000K	4033	28.1	143.5
			5000K	3938	28.86	136.5
		Med Lumen	3500K	4677	36.8	127.1
			4000K	5009	35.55	140.9
			5000K	4834	36.65	131.9
		High Lumen	3500K	6048	50.56	119.6
			4000K	6563	48.53	135.2
			5000K	6241	50.24	124.2

NOTES

1. For MVOLT only, not available with 347V.



Specifications

INTENDED USE:

CPX is a low-glare panel featuring an external driver. This cost-effective, reliable panel is visually comfortable and can be recessed mounted. Suitable for many applications such as schools, offices, retail, convenience stores and other commercial spaces. **Certain airborne contaminants can diminish integrity of acrylic.** [Click here for Acrylic Environmental Compatibility table for suitable uses.](#) Adjustable Lumen (ALO7, ALO8) and Switchable White (SWW7) configurations available. **U.S. Patent No. 10,681,784.**

CONSTRUCTION:

The extruded aluminum frame with satin white lens provides excellent shielding and uniform luminance. The low-profile design of CPX provides increased installation flexibility especially in restricted plenum spaces. The backplate includes integral T-bar clips for installation into T-grid ceilings.

ELECTRICAL:

Long-life LEDs, coupled with a high-efficiency driver, provide superior illumination for extended service life. Greater than 70% LED lumen maintenance at 50,000 hours (L70>50,000). 0-10V dimming driver, dims to 10% and contains non-isolated dimming leads.

LISTINGS:

CSA certified to meet US and Canadian standards. Damp location listed. IC rated. IP5X Rated. DesignLights Consortium® (DLC) qualified product. Not all versions of this product may be DLC qualified. Please check the DLC Qualified Products List at www.designlights.org/QPL to confirm which versions are qualified. Rated for NSF/ANSI Standard 2 - Light Fixture for Splash Zone and Non Food Zone. NOM Certified.

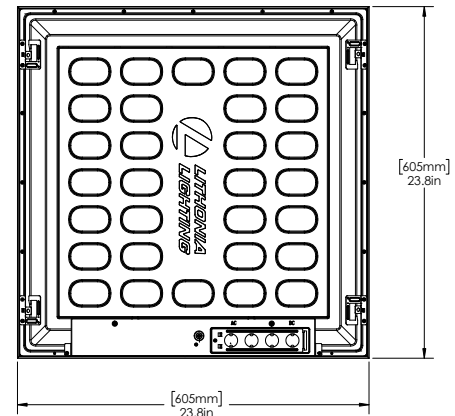
WARRANTY:

5-year limited warranty. This is the only warranty provided and no other statements in this specification sheet create any warranty of any kind. All other express and implied warranties are disclaimed. Complete warranty terms located at: www.acuitybrands.com/support/warranty/terms-and-conditions

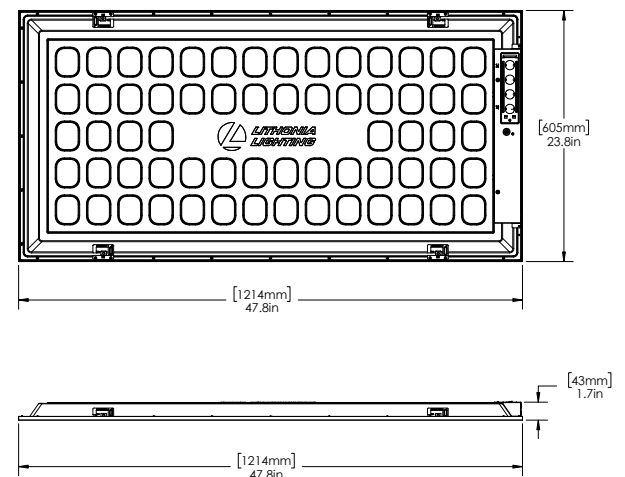
Note: Actual performance may differ as a result of end-user environment and application. All values are design or typical values, measured under laboratory conditions at 25 °C. Specifications subject to change without notice.

Dimensions

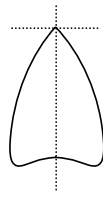
2'x2'



2'x4'



All dimensions are inches (millimeters) unless otherwise indicated.



OVERVIEW

General Illumination Retrofit Downlight

8"



2000 - 3000 lumens

Feature Set

- Bounding Ray™ optical design
- Unitized optics mechanically attach the light engine to the lower reflector for complete optical alignment.
- 45° cutoff to source and source image
- Fully serviceable and upgradeable lensed LED light engine
- 70% lumen maintenance at 60,000 hours
- 2.5 SDCM; 85 CRI typical, 90+ CRI optional
- Fixtures are wet location, covered ceiling
- Available with 10% dimming, 1% dimming, or dim to dark
- Batwing distribution with feathered edges provides even illumination on horizontal and vertical surfaces

Distribution



Superior Performance

Nominal Lumens	2000	2500	3000
Delivered Lumens	2,287	2,964	3,398
Wattage	31.6	41.1	47.1
Efficacy	72.5	72	72.2

Coordinated Apertures | Multiple Layers of Light



General Illumination Layer | EVO



High Center Beam Layer | Incito



EVO + Incito — Multiple Layers of Light

Core



Healthcare



Special Applications



COMPLEMENTARY PRODUCTS

A+ Capable options indicated by this color background.

Luminaire Type:

Catalog Number:

EXAMPLE: EV08R 35/30 AR MWD LSS 277 EZ1

Series	Color Temperature	Nominal Lumen Values	Reflector & Flange Color	Distribution	Finish	Voltage
EV08R	27/ 2700 K	20 2000 lumens	AR Clear	VND Very Narrow (0.5 s/mh)	LSS Semi-specular	120
	30/ 3000 K	25 2500 lumens	PR Pewter	ND Narrow (0.7 s/mh)	LD Matte-diffuse	277
	35/ 3500 K	30 3000 lumens	WTR Wheat	MD Medium (0.9 s/mh)	LS Specular	347 ^{2,3}
	40/ 4000 K		GR Gold	MWD Medium wide (1.0 s/mh)		
			WR ¹ White	WD Wide (1.2 s/mh)		
			BR ¹ Black			
			WRAMF ¹ White Anti-microbial			

Driver ⁴	Control Interface	Options
GZ10 0-10V driver dims to 10%	NLT ⁶ nLight® dimming pack controls	SF Single fuse. Specify 120V or 277V.
GZ1 0-10V driver dims to 1%	NLTER ^{2,6,9} nLight® dimming pack controls emergency circuit	TRW ⁷ White painted flange
EZ10 eldoLED 0-10V ECOdrive. Linear dimming to 10% min.	NLTAIR2 ¹¹ nLight® Air enabled	TRBL ⁸ Black painted flange
EZ1 eldoLED 0-10V ECOdrive. Linear dimming to 1% min.	NLTAIRER2 ^{2,9,11} nLight® AIR Dimming Pack Wireless Controls. Controls fixtures on emergency circuit	EL Emergency battery pack, 10W, with integral test switch
EZB eldoLED 0-10V SOLOdrive. Logarithmic dimming to <1%.	EXA1 XPoint Wireless, eldoLED 0-10V ECOdrive. Linear dimming to 1%. Refer to XPoint tech sheet.	ELR Emergency battery pack, 10W, with remote test switch
EDAB ⁵ eldoLED SOLOdrive DALI. Logarithmic dimming to <1%.	EXAB XPoint Wireless, eldoLED 0-10V SOLOdrive. Logarithmic dimming to <1%. Refer to XPoint tech sheet.	ELSD Emergency battery pack, 10W, with self-diagnostics, integral test switch
EDXB ⁵ eldoLED POWERdrive DMX with RDM (remote device management). Square Law dimming to <1%. Includes termination resistor.		ELRSD Emergency battery pack, 10W, with self-diagnostics, remote test switch
ECOD ⁵ Lutron Ecosystem digital Hi-Lume 1% soft-on, fade to black. Maximum 2500 lumens.		E10WC Emergency battery pack, 10W Constant Power, CA Title 20 compliant with integral test switch
		E10WCPR Emergency battery pack, 10W Constant Power, CA Title 20 compliant with remote test switch
		N80 ¹⁰ nLight® Lumen Compensation
		90CRI High CRI (90+)
		RRL RRLC-ready Luminaire connectors enable a simple and consistent factory installed option across all ABL luminaire brands. Available only with RRLA, RRLB, RRLAE, and RRLC12S. Refer to RRL spec sheet on www.acuitybrands.com for RELOC product specifications. Above ceiling access required.

ACCESSORIES — order as separate catalog numbers (shipped separately)

CTA4-8 YK	Ceiling thickness adapter (extends mounting frame to accommodate ceiling thickness up to 5"). Adds ~4" to fixture height.
ISD BC	0-10V wallbox dimmer. Refer to ISD-BC .

ORDERING NOTES

- Not available with finishes.
- Not available with EL/ELR options.
- Supplied with factory installed step down transformer.
- Refer to [TECH-240](#) for compatible dimmers.
- Not available with nLight® and XPoint options.
- Must specify voltage.
- For use with different reflector finish only (i.e. AR, PR, WTR, GR options). Not available with BR (black reflector).
- For use with different reflector finish only (i.e. AR, PR, WTR, GR options). Not available with BR (black reflector).
- For use with generator supply EM power. Will require an emergency hot feed and normal hot feed.
- Fixture begins at 80% light level. Must be specified with eldoLED drivers and NLT or NLTER.
- Not available DALI or DMX drivers. Not available with CP or N80 options. Not recommended for metal ceiling installations.

Optical Assembly

Fully serviceable and upgradeable lensed LED light engine suitable for field maintenance or service from below the ceiling. Optical design is a Bounding Ray™ design with 45° cutoff to source and source image. Top-down flash characteristic for superior glare control. Unitized optics shall have mechanical attachment of the light engine to the lower reflector for complete optical alignment.

Electrical

The luminaire shall operate from a 50 or 60 Hz ±3 Hz AC line over a voltage ranging from 120 VAC to 277 VAC. The fluctuations of line voltage shall have no visible effect on the luminous output. The luminaire shall have a power factor of 90% or greater at all standard operating voltages and full luminaire output. Sound Rated A+. Driver shall be >80% efficient at full load across all input voltages. Input wires shall be 18AWG, 300V minimum, solid copper.

Controls

Luminaire shall be equipped with interface for nLight wired or wireless network with integral power supply as per specification.

Dimming

The luminaire shall be capable of continuous dimming without perceivable stroboscopic flicker as measured by flicker index (ANSI/IES RP-16-10) over a range of 100 – 10%, 100 – 1.0% or 100 – 0.1% of rated lumen output with a smooth shut off function to step to 0%. eldoLED LED drivers shall conform to IEEE P1789 standards. Alternatively, manufacturers must demonstrate conformance with product literature and testing which demonstrates this performance. Systems that do not meet IEEE P1789 will not be considered. Driver is inaudible in 24dB environment, and stable when input voltage conditions fluctuate over what is typically experienced in a commercial environment.

Construction

Compatible only with Gotham open style mounting frames. Originally installed mounting frame must be a Gotham GRS, GRSF, GRSH, AFV, or LGFV series frame. See frame compatibility table. Junction box capacity: 8 (4 in, 4 out) 12AWG rated for 90°C. Luminaires shall be suitable for installation in ceilings up to 1½" thick. (specify ceiling thickness adapter to extend frame to accommodate ceiling thickness up to 5") The assembly and manufacturing process for the luminaire shall be designed to assure all internal components are adequately supported to withstand mechanical shock and vibration. 25°C ambient temperature standard (1/2" clearance on all sides from non-combustible materials in non-IC applications, unless marked spacing noted otherwise). For use in insulated ceilings, a 3" clearance on all sides from insulation is required (unless marked spacing noted otherwise).

Listings

Fixtures are CSA certified to meet US and Canadian standards: All fixtures manufactured in strict accordance with the appropriate and current requirements of the "Standards for Safety" to UL, wet location covered ceiling.

Photometrics

LEDs tested to LM-80 standards. Measured by IESNA Standard LM-79-08 in an accredited lab. Lumen output shall not decrease by more than 30% over the minimum operational life of 60,000 hours. Color appearance from luminaire to luminaire of the same type and in all configurations, shall be consistent both initially and at 6,000 hours and operate within a tolerance of <2.5 MacAdam ellipse as defined by a point at the intersection of the CCT line and the black body locus line in CIE chromaticity space.

Buy American Act

This product is assembled in the USA and meets the Buy America(n) government procurement requirements under FAR, DFARS and DOT regulations. Please refer to www.acuitybrands.com/buy-american for additional information.

Warranty

5-year limited warranty. This is the only warranty provided and no other statements in this specification sheet create any warranty of any kind. All other express and implied warranties are disclaimed. Complete warranty terms located at: www.acuitybrands.com/support/warranty/terms-and-conditions

Note:

Actual performance may differ as a result of end user environment and application. All values are design or typical values, measured under laboratory conditions at 25 °C.

A+ Capable Luminaire

This item is an A+ capable luminaire, which has been designed and tested to provide consistent color appearance and out-of-the-box control compatibility with simple commissioning.

- All configurations of this luminaire meet the Acuity Brands' specification for chromatic consistency
- This luminaire is part of an A+ Certified solution for nLight® control networks when ordered with drivers marked by a shaded background*
- This luminaire is part of an A+ Certified solution for nLight® control networks, providing advanced control functionality at the luminaire level, when selection includes driver and control options marked by a shaded background*

To learn more about A+, visit www.acuitybrands.com/aplus.

*See ordering tree for details

EVO - eldoLED Driver Default Dimming Curve			
Nomenclature	Min Dimming	Driver Dim Curve	Control Dim Curve
EZ10	10%	Linear	Linear/Logarithmic
EZ1	1%	Linear	Linear/Logarithmic
EXA1	1%	Linear	Linear/Logarithmic
EZB	<1%	Logarithmic	Linear
EDAB	<1%	Logarithmic	Linear
EXAB	<1%	Logarithmic	Linear
EDXB	<1%	Square	Linear

Lumen Output Multiplier		
CRI	CCT	Multiplier
80	2700K	0.96
	3000K	1.00
	3500K	1.00
	4000K	1.01
90	2700K	0.80
	3000K	0.83
	3500K	0.85
	4000K	0.87

Reflector Finish Multiplier	
Reflector Finish	Multiplier
LS - Specular	1
LSS - Semi Specular	0.956
WR - White	0.87
LD - Matte Diffuse	0.85
BR - Black	0.73

Distributions		
Nomenclature	Beam Angle	Field Angle
VND	30	64
ND	44	69
MD	54	82
MWD	67	89
WD	71	92

Driver		Control Provided (note: 347V/UVOLT versions provided with 347 option selected)			
Nomenclature	Description	NLT	NLTER	NLTAIR2	NLTAIRER2
GZ10	0-10V driver dims to 10%	nPP16 D EFP	nPP16 D ER EFP	RPP20 D 24V G2	RPP20 D 24V ER G2
GZ1	0-10V driver dims to 1%	nPP16 D EFP	nPP16 D ER EFP	RPP20 D 24V G2	RPP20 D 24V ER G2
EZ10	eldoLED 0-10V ECOdrive	nPS 80 EZ	nPS 80 EZ ER	RPP20 D 24V G2	RPP20 D 24V ER G2
EZ1	eldoLED 0-10V ECOdrive	nPS 80 EZ	nPS 80 EZ ER	RPP20 D 24V G2	RPP20 D 24V ER G2
EZB	eldoLED 0-10V SOLOdrive	nPS 80 EZ	nPS 80 EZ ER	RPP20 D 24V G2	RPP20 D 24V ER G2

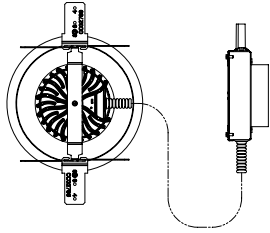
How to Estimate Delivered Lumens in Emergency Mode

Delivered Lumens = 1.25 x P x LPW

P = Output power of emergency driver. P = 10W for PS1055CP

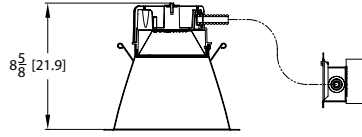
LPW = Lumen per watt rating of the luminaire. This information is available on the ABL luminaire spec sheet.

Aperture: 7-7/8 (20.1)
 Ceiling Opening: 8-7/8 (21.5)
 Overlap Trim: 9-1/4 (23.5)

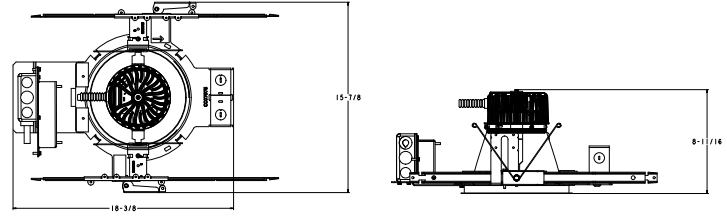


Aperture: 7-7/8 (20.1)
 Ceiling Opening: 8-7/8 (21.5)
 Overlap Trim: 9-1/4 (23.5)

Standard

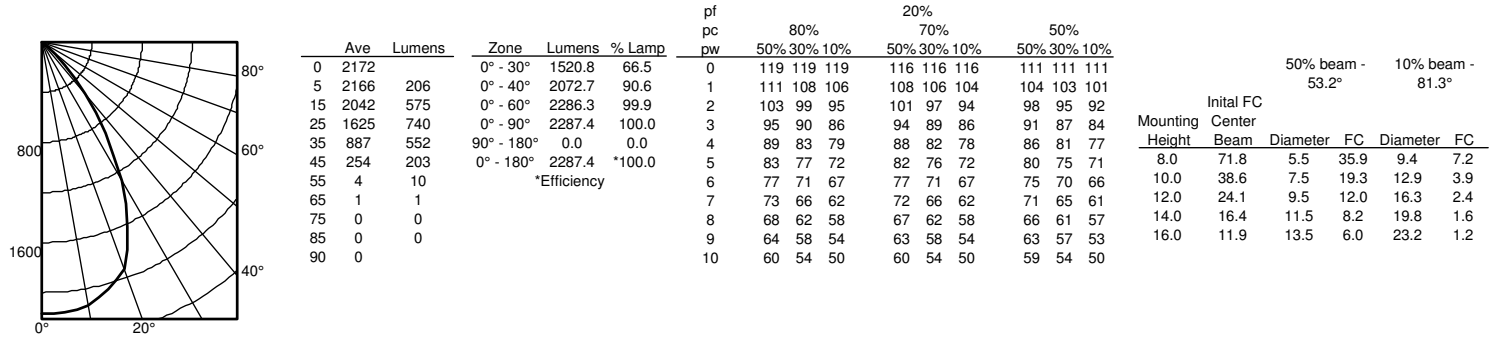


Drive Open Frame CP

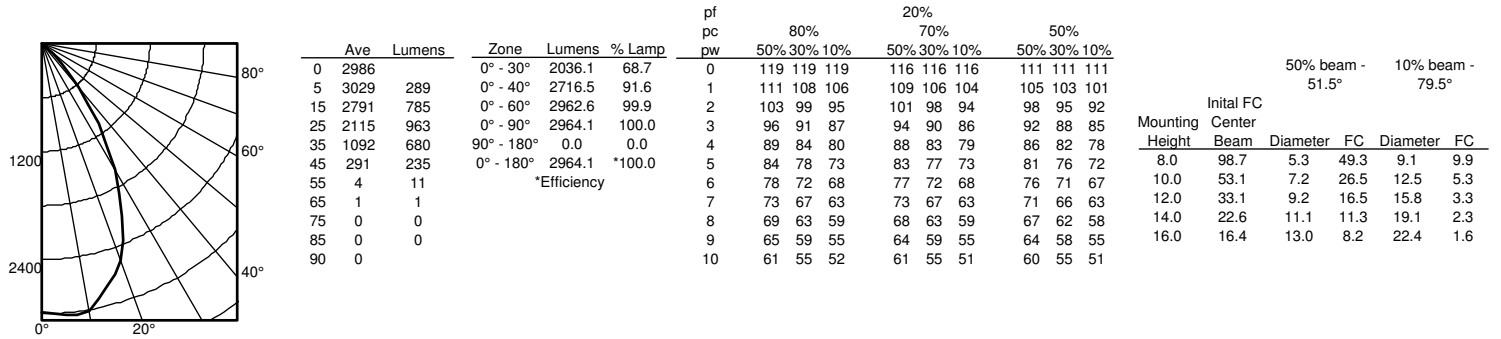


Photometry

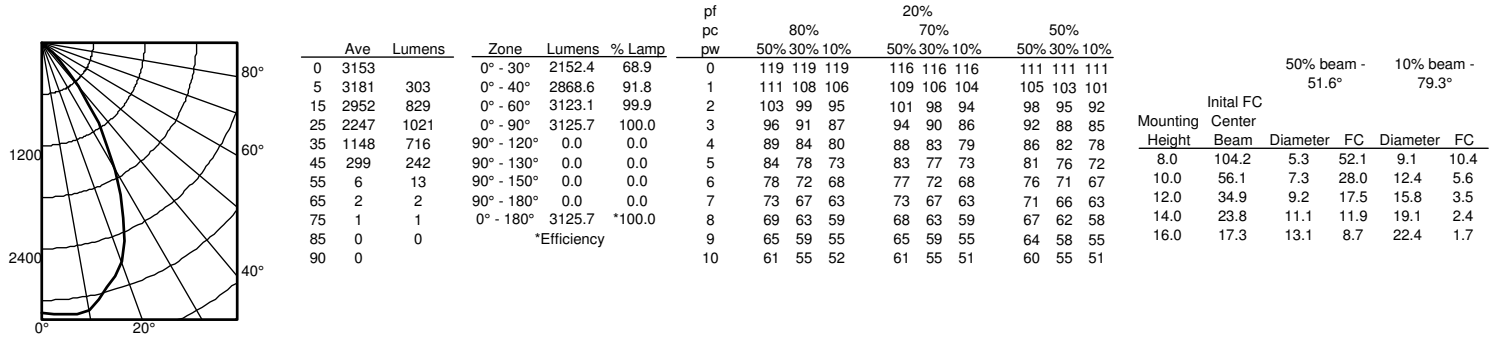
EVO8R 30/20 AR MWD LS INPUT WATTS: 31.5, DELIVERED LUMENS: 2287.4, LPW= 72.6, 1 S/MH, TEST NO. LTL27655P301



EVO8R 30/25 AR MWD LS INPUT WATTS: 41, DELIVERED LUMENS: 2964, LPW = 72.3, 0.98S/MH, TEST NO. LTL27654P200



EVO8R 30/30 AR MWD LS INPUT WATTS: 42.3, DELIVERED LUMENS: 3125.8, LPW=73.8, 0.99 S/MH, TEST NO. 27848P202



nLight® AIR is the ideal solution for retrofit or new construction spaces where adding communication wiring is cost prohibitive. The integrated nLight AIR rPP20 Power Pack is part of each EVO Luminaire ordered with the NLTAIR option. These individually addressable controls offer the ultimate in flexibility during initial setup and for space repurposing.

nLight® AIR Control Accessories

Order as separate catalog number. Visit [nLight AIR](#).

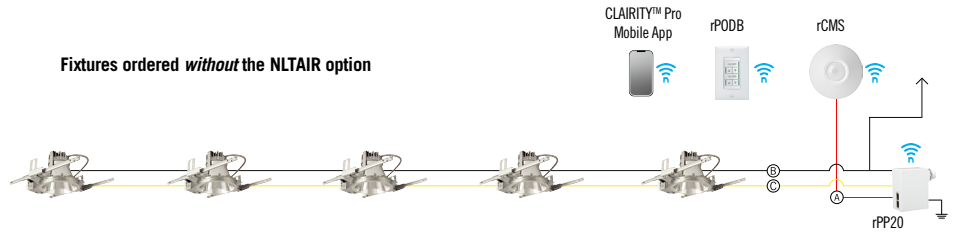
Wall Switches	Model Number
On/Off single pole	rPODB (color) G2
On/Off two pole	rPODB 2P (color) G2
On/Off & raise/lower single pole	rPODB DX (color) G2
On/Off & raise/lower two pole	rPODB 2P DX (color) G2

nLight® AIR Control Accessories (cont.)

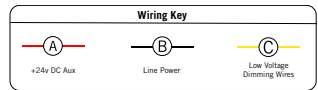
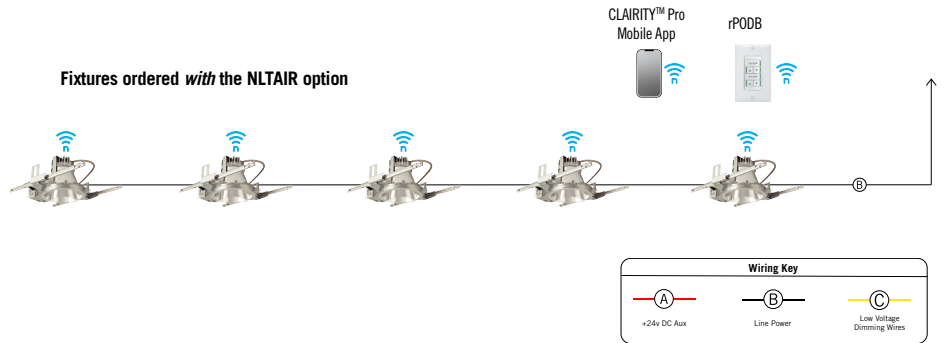
Occupancy Sensors (PIR/dual tech)	Model Number
Small motion 360°, ceiling	rCMS 9 / rCMS PDT 9
Large motion 360°, ceiling	rCMS 10 / rCMS PDT 10

Possibilities for nLight® AIR

Fixtures ordered *without* the NLTAIR option



Fixtures ordered *with* the NLTAIR option



nLight® The nLight® solution is a digital networked lighting control system that provides both energy savings and increased user configurability by cost effectively integrating time-based, daylight-based, sensor-based and manual lighting control schemes.

nLight® Wired Control Accessories

Order as separate catalog number. Visit [nLight](#).

Wall Switches	Model Number
On/Off single pole	nPODM (color)
On/Off two pole	nPODM 2P (color)
On/Off & raise/lower single pole	nPOD DX (color)
On/Off & raise/lower two pole	nPODM 2P DX (color)
Graphic touchscreen	nPOD GFX (color)

Photocell Controls

Dimming	nCM ADCX
---------	----------

nLight® Wired Control Accessories (cont.)

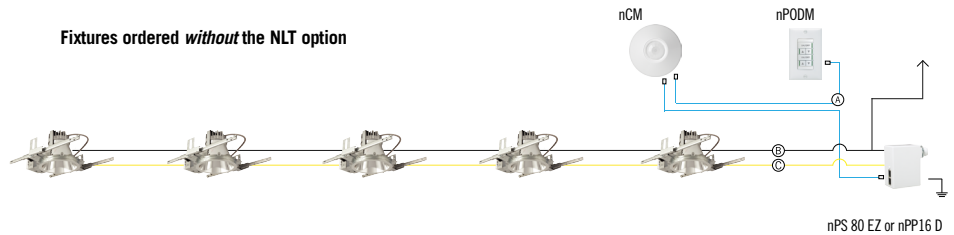
Occupancy Sensors (PIR/dual tech)	Model Number
Small motion 360°, ceiling	nCM 9 / nCM PDT 9
Large motion 360°, ceiling	nCM 10 / nCM PDT 10
Wide View	nWV 16 / nWV PDT 16
Wall switch with raise/lower	nWSX LV DX / nWSX PDT LV DX

Cat-5 Cables (plenum rated)

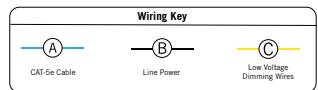
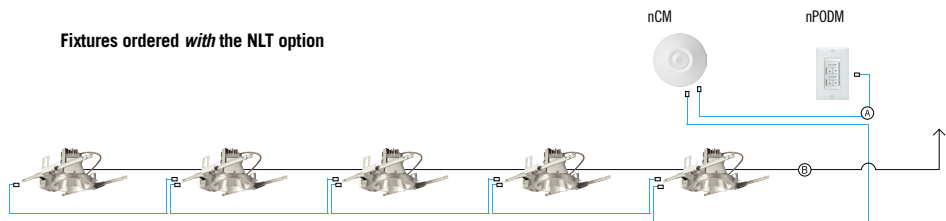
10', CAT5	CAT5 10FT J1
15', CAT5	CAT5 15FT J1

Possibilities for nLight® wired

Fixtures ordered *without* the NLT option



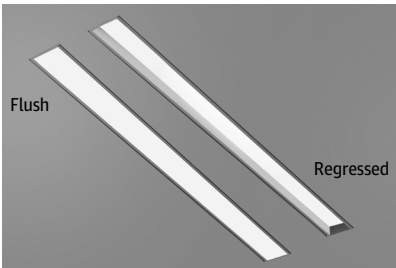
Fixtures ordered *with* the NLT option



MARK ARCHITECTURAL LIGHTING™

Slot 4 LED Recessed Linear

Type:



Slot 4 LED takes both form and function a step further with increased efficacy and integral controls creating a digitally addressable luminaire that is perfect where visually harmonious illumination and energy efficiency are desired.

Slot 4 LED is the ideal choice for spaces that emphasize lines and clean contemporary design. It is a perfect fit for Armstrong TechZone™ ceiling systems. A regressed lens option provides added dimension to the sleek, slender design and the flush lens now has a Wet Label option.

Project:

Catalog Number:

DO NOT TYPE HERE. Autopopulated field.

Specification Features

Housing

Nominal 4" x 2', 3', 4', 5', 6', 7', 8' and continuous rows in 1" increments as standard, upper housing fabricated from cold-rolled steel with extruded aluminum ceiling trim.

Finish

Polyester powder coat painted finish.

Reflector

Precision-formed steel; high reflectance matte white powder coat; 93% reflectivity.

Shielding

Flush Lens: Snap-in 90% transmissive satin acrylic lens. Lens is not sealed or gasketed.
Regressed Lens: Lay-in 90% transmissive satin acrylic lens.

Mounting

Recessed. Available for sheetrock, 9/16" slot grid or 15/16" inverted tee ceilings, or 9/16" inverted tee.

Certification

CSA certified to meet U.S. and Canadian standards (UL1598 and UL8750). This product is IC rated. Optional Damp (DPL) or Wet (WL) location listings available with specified nomenclature. Wet location listing is suitable for covered ceiling mount installation only, where any water exposure is beneath the non-porous mount surface.

Government Procurement

BAA - Buy America(n) Act: Product qualifies as a domestic end product under the Buy American Act as implemented in the FAR and DFARS. Product also qualifies as manufactured in the United States under DOT Buy America regulations.

BABA - Build America Buy America: Product qualifies as produced in the United States under the definitions of the Build America, Buy America Act.

Please refer to www.acuitybrands.com/buy-american for additional information.

Warranty

5-year limited warranty. This is the only warranty provided and no other statements in this specification sheet create any warranty of any kind. All other express and implied warranties are disclaimed. Complete warranty terms located at: www.acuitybrands.com/support/warranty/terms-and-conditions

A+ Capable Luminaire

This item is an A+ capable luminaire, which has been designed and tested to provide consistent color appearance and out-of-the-box control compatibility with simple commissioning when used with Acuity Brands controls products.

All configurations of this luminaire are calibrated and tested to meet the Acuity Brands' specification for chromatic consistency - including color rendering, color fidelity, and color temperature tolerance around standard CIE chromaticity coordinates.

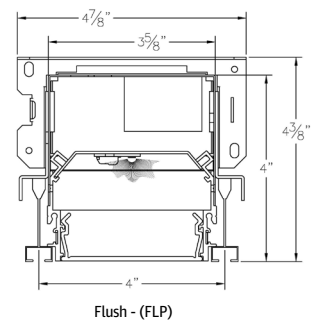
To learn more about Acuity A+ standards, specifications, and testing, visit www.acuitybrands.com/aplus

Note: Actual performance may differ as a result of end-user environment and application.

All values are design or typical values, measured under laboratory conditions at 25 °C.

Specifications subject to change without notice.

Technical Drawing



Fixture Performance - SL4L*

Lumens Output Fixture Style	400 LMF		600 LMF**		800 LMF**		1000LMF	
	RLP	FLP	RLP	FLP	RLP	FLP	RLP	FLP
Delivered Lumens/FT	316	314	544	541	737	734	928	924
Input Watts/FT	4	4	6	6	8	8	10	10
Lumen/Watt	91	91	95	95	93	93	90	89

* CCT (35K)

* Consult factory for customized lumen output and wattage

** Based on calculated values

Note: UGR data available on Page 5

LED Components

Linear: Nichia® - 757 Series LED chips (available in 80 or 90 CRI)

LED Life

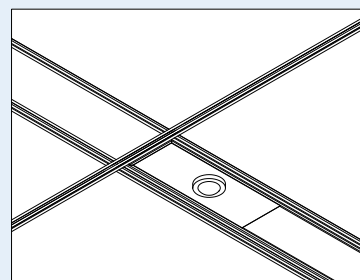
Rated 65,000 hours (L80) at 25 °C ambient temperature.

Color Consistency

The Acuity Brands circuit boards for the linear LED components use a precise binning algorithm which creates a consistent color temperature from board to board. Color variation is no greater than a 2.5 Step MacAdam (2.5SDCM) along the black body locus from board to board.

Driver

eldoLED constant current driver options delivers ultra-smooth dimming resolution from 100% to 0.1%, while assuring flicker free, low current inrush, 89% efficiency and low EMI.



Occupancy Sensor (PDT) and/or Photocell (ADC)

Integrated Controls

Optional nLight® embedded controls make luminaire addressable- allowing it to digitally communicate with other nLight enabled controls such as dimmers, switches, occupancy sensors and photocontrols. Simply connect all the nLight enabled control devices using standard CAT5 Cabling. (Input option: NLIGHT)

Photometry

For photometric information refer to www.marklighting.com.

ds Design Select options indicated by this color background.

Ordering

Example: SL4L LOP 4FT FLP TG 90CRI 35K 400LMF MIN1 277 NLIGHT

Series	Linear Length Plan	Total Run Length	Fixture Style	Ceiling Trim	Direct Light Source Color Rendering	Direct LED Color Temp
SL4L Slot 4 LED Linear Recessed	LOP Linear Optimized Plan	2FT 2' 3FT 3' 4FT 4' 5FT 5' 6FT 6' 7FT 7' 8FT 8' *_FT_ *Specify continuous linear feet in 1" increments (7FT6 = 7FT 6IN) *_FT_ **Specify continuous linear feet in 1 foot increments	RLP ^{1,3} Regressed Lens FLP ² Flush Lens	FL ⁴ 5/8" Flange(sheetrock) FLINB ^{23,24} 5/8" Flange (sheetrock) Install From Below TG 9/16" or 15/16" Flat or Inverted Tee GB ⁴ Trimless (sheetrock) WFL Perimeter Mount, 5/8" Flange (Sheetrock) WTG 9/16" Flat or Inverted Tee, Perimeter Mount <small>*For metal pan, hard wood or other ceiling types consult factory.</small>	80CRI 80 CRI 90CRI 90 CRI	27K* 2700K 30K 3000K 35K 3500K 40K 4000K 50K* 5000K

Direct LED Light Output	Direct Distribution	Downlight ¹¹	Downlight Color Rendering	Downlight Color Temp	Minimum Dimming Level	Voltage
400LMF 400 Lumens per FT 600LMF 600 Lumens per FT 800LMF 800 Lumens per FT 1000LMF 1000 Lumens per FT *_LMF* ¹¹ ## Lumens per FT (Limited to 300LMF to 1000LMF in 50LMF increments)	(blank) Standard Distribution WW ⁵ Wall Wash	2DL ^{3,6} LED Downlight Standard _DL ^{3,6} LED downlights per Run (3DL, 4DL, ect.)	S80CRI 80 CRI S90CRI 90 CRI	S27K 2700K S30K 3000K S35K 3500K S40K 4000K	NODIM Non - Dim MIN1 Constant current, dimming to 1% DARK Constant current, dimming to 0.1% MIN10 ¹⁸ Constant current, dimming to 10%	120 120V 277 277V 347 ⁸ 347V

Finish	Emergency Options	Control Input	Primary Sensor ¹³	Secondary Sensor ¹³
(blank) White (satin) xxx/BLKT Black (satin) xxx/SLVT Silver (satin) xxx/AMF Anti-Microbial White (satin) xxx/RALTB RAL paint finish <small>xxx = fill in with the appropriate ceiling trim. Only trims are painted RALTB is for pricing only. Replace with applicable RAL number and texture when placing order</small>	(blank) No Emergency _E10WLCP ⁹ Number of 4ft Emergency Section(s) with battery pack _EC ¹⁰ # of Emergency Circuits WEC ¹⁶ Entire run on EC	(blank) Non-dim ¹² ZT 0 10V NLIGHT nLight enabled NLTAIR2 ¹⁹ nLight Air (wireless enabled) ECOD ¹⁷ Lutron Hi-Lume digital driver DALI ²⁰ DALI compatible	(blank) Single Zone, No Sensor NS Multi-zone, No Sensor Main Zone, No Sensors PDT ¹⁴ Dual Technology Occupancy Sensor, PIR and Microphonics Sensor ADC ¹⁴ Daylight Dimming Sensor API ¹⁵ Passive Infrared Occupancy Sensor and Daylight Dimming Sensor APD ¹⁵ Dual Technology Occupancy Sensor and Daylight Dimming Sensor	(blank) No additional zones/sensors SNS Multi-zone, with no sensor in secondary zone, No Sensors SPDT ¹⁴ Dual Technology Occupancy Sensor, PIR and Microphonics Sensor SADC ¹⁴ Dual Technology Occupancy Sensor, PIR and Microphonics Sensor SAPI ¹⁵ Passive Infrared Occupancy Sensor and Daylight Dimming Sensor SAPD ¹⁵ Dual Technology Occupancy Sensor and Daylight Dimming Sensor

Tertiary Zone	Options
(blank) No additional zones/sensors TNS Multi-zone, with no sensor in tertiary zone	(blank) No Options CP ²² Chicago Plenum BAA Buy America(n) Act and/or Build America Buy America Qualified WL ^{3,11,22} Wet Location Listing DPL ²² Damp Location Listing PWS 6' Pre-Wire, 3/8" Diameter, 18 Gauge

* Requires longer lead time.

Notes

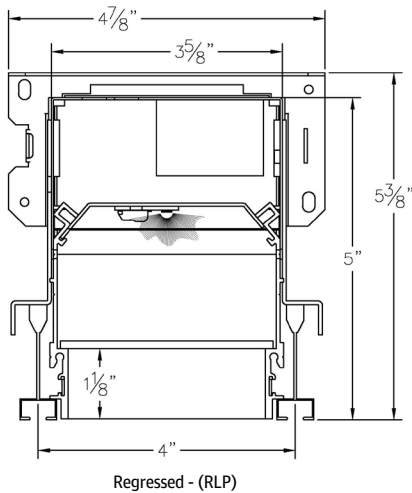
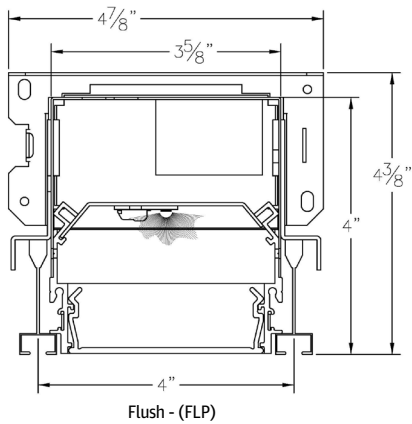
- Supplied with lift and shift lay-in lens.
- Supplied with snap-in lens.
- Wet Wash not available with downlights, regressed lens, or with sensor options, or PWS. Cannot be installed on vertical surfaces.
- Not intended for post sheetrock installation.
- Wall Wash not available with downlights, RLP lens and all sensor options.
- See notes on page 3, downlights only available with DARK dimming level.
- No longer applicable.
- Not available with 2' sections, E10WLCP or sensors. Only available with NODIM or MIN1 with ZT.
- Default battery pack is integral, battery pack will be remote on 2' & 3' (RE10WLCP). Integral battery not available with RLP, WW, sensors or downlights. Only 1 integral battery pack per unit. CP listing must have an integral battery. Remote batteries are not wet location listed, they may be used with a wet location fixture is the battery itself is mounted in a dry location.
- Standard 4' EC section, defaults to end of run. 2ft, 3ft and 5ft powers entire fixture, 6ft powers 3ft EC section.
- Not available with ECOD control input.
- Only available with NODIM option.
- Sensors not available with WW, NODIM driver, WL, RLP, or downlights. Not available with 347 & NLIGHT together. Default location for sensor is the left side of the fixture. For runs the first fixture will include the sensor.
- Requires ZT or NLIGHT Control Input.
- Requires ZT, NLIGHT or NLTAIR2 Control Input. Only Design Select when ordered with NLTAIR2.
- Not available with NLIGHT or NLTAIR2.
- Must select MIN1 options.
- MIN10 not available with 347, sensors, NLIGHT or NLTAIR2, requires ZT.
- Must select MIN1 or DARK. Not available with RLP, WW, PDT, ADC or 347, DPL or WL.
- DALI is only available with DARK or MIN1. It is not available with sensors or downlights.
- CP not available with NLTAIR2.
- Lens is not sealed or gasketed.
- 1" increments will have extended lead times.
- Not available with RLP regressed lens option.



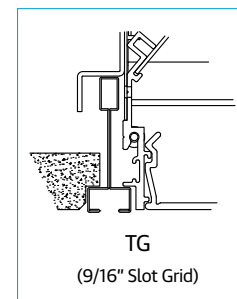
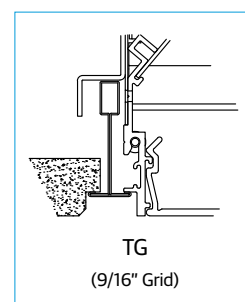
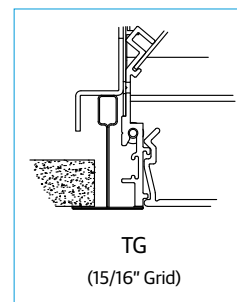
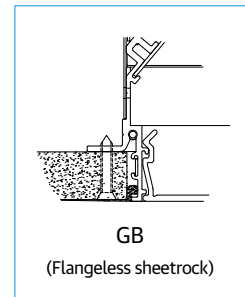
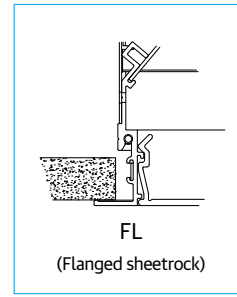
Items marked by a shaded background qualify for the Design Select program and ship in 15 days or less. To learn more about Design Select, visit www.acuitybrands.com/designselect.
 *See ordering tree for details

Maximum order quantity for Design Select lead times is 350 linear feet.

Technical Drawing



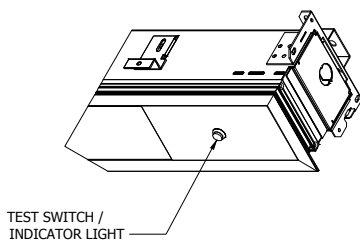
Ceiling Trim



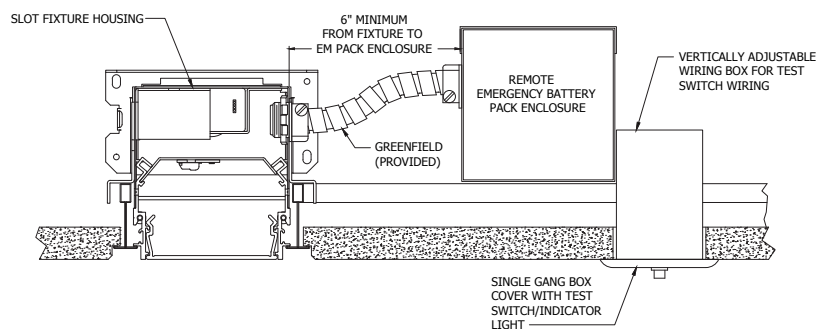
TG ceiling trim is suitable to mounted to a 4" techzone ceiling type.

Emergency Battery

Internally Mounted (E10WLCP)



Remote Mounted (RE10WLCP)

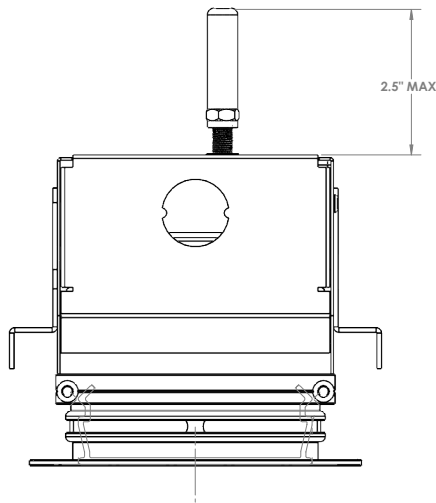


- Notes**
- Delivers 700 lumens per 4FT length. Default location is the right side of fixture and end of run.
 - Provided with 4FT of flexible conduit. Maximum of 25FT remote distance if extended. Extension provided by others.
 - See ordering tree notes for remote battery pack scenarios.

nLight Air Wireless

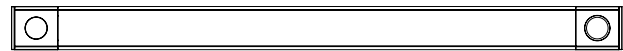
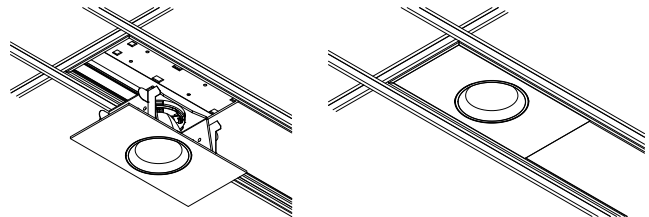
nLight Air

The default location of the antenna will be at the left end of an individual unit. On a run, it will be placed at the beginning or left end of the first section. Please consult factory for other placement options.

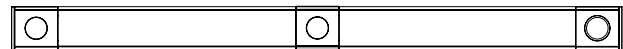


Downlights

Optional downlights powered by Xicato Spot Modules are available with any linear length and no less than 2' on center spacing. Each downlight module is 6W with 700 lumens delivered (28 degree beam spread). Downlights are supplied with a dedicated feed-point and will be controlled separately.



Standard Downlight Location



Other Downlight Configuration (consult factory)

Notes

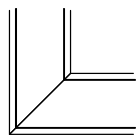
- 2DL - Downlights are supplied at each end of an individual unit
- _DL - Multiple downlights will be supplied with one at each end and the remainder will be centered over the length of the run.
- Downlights are not adjustable and are provided with solite lens

Continuous Runs

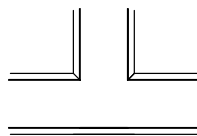
Slot 4 LED continuous rows can be configured in 1" increments.

Run Patterns, Corners and Junction

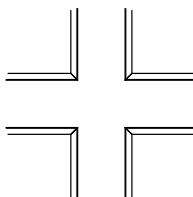
Slot 4 LED patterns be configured in 1' increments with illuminated 90° inside and outside corners, T junctions, and X junctions with standard 2' corner and junction lengths. For custom angles, corner or junction lengths, consult factory.



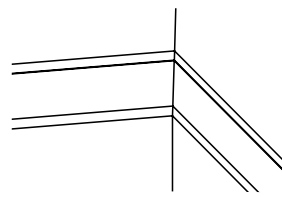
90° Corner



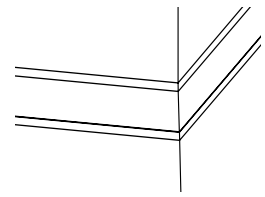
T Junction



X Junction



Inside Corner



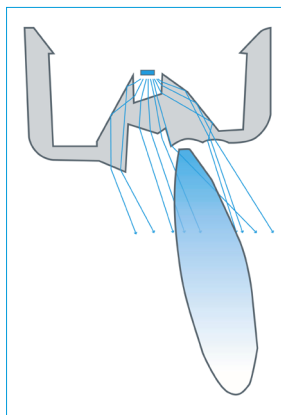
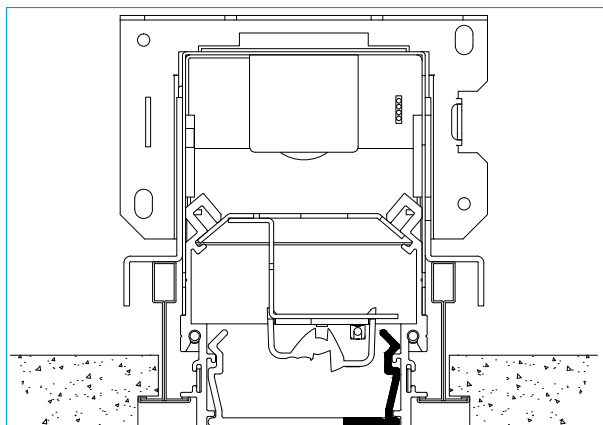
Outside Corner

Layout Sketch

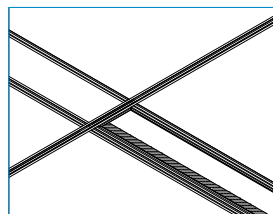
Please draw and configure your linear run below.

OPTICS

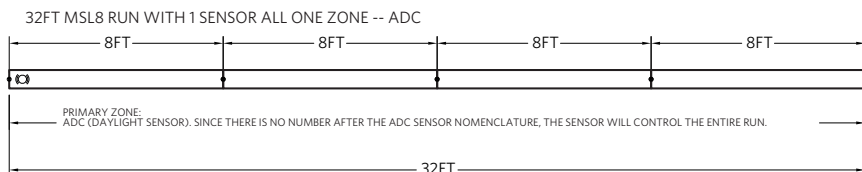
Slot LED's patent-pending, precision lumen DIRECTIR optics condition and refract light to deliver accurately controlled, striation-free, and uniform white light. All lumen DIRECTIR optics are injection-molded, optical grade, UV-resistant acrylic with selective finishing/polishing treatment.



Wall Wash (WW)



INTEGRATED SENSOR LAYOUT



Notes:
• Only one sensor per zone

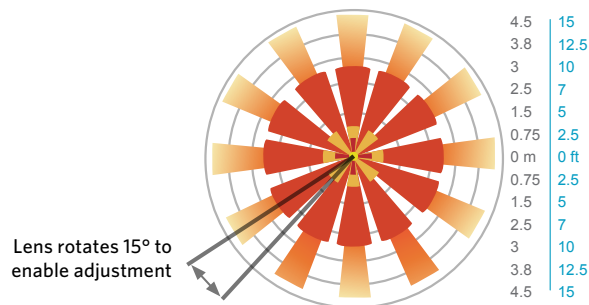
OCCUPANCY DETECTION COVERAGE

At the 7.5 ft (2.9 m) hanging height of a typical pendant mount fixture the sensor provides 10 ft (3.05 m) radial detection of small motion. At a 9 ft (2.74 m) hanging height the radius is 12 ft (3.66 m) for small motion.

Adequate for walking motion detection from mounting heights between 7.5 ft (2.29 m) and 20 ft (6.10 m).

Initial detection will occur earlier when walking across sensor's field of view than when walking directly at sensor.

Initial detection of walking motion into long coverage segment will occur at distances of 2x the mounting height up to 15 ft (4.57 m) and 1.75x up to 20 ft (6.10 m). Lens assembly rotates 15° to enable adjustment in order to line up long segments.



UGR CHART

Lumen Package	UGR (70% 50% 20% REFLECTANCE USING A 4H X 8H ROOM SIZE)					
	Crosswise			Endwise		
	FLP	RLP	WW	FLP	RLP	WW
400LMF	21.4	20.8	20.2	21.4	17.8	18.7
600LMF	23.3	22.7	22.1	23.3	19.7	20.6
800LMF	24.4	23.7	23.2	24.3	20.8	21.6
1000LMF	25.2	24.5	24	25.1	21.6	22.4

*UGR varies based on luminaire options and is affected by application dependent parameters. Numbers depicted here are considered "Luminaire-UGR" and/or "Point-UGR" values. To determine a more precise maximum UGR value ("Application-UGR"), a full lighting design layout should be completed with the selected luminaire configuration for each application.

** Click here for more information on UGR FAQ

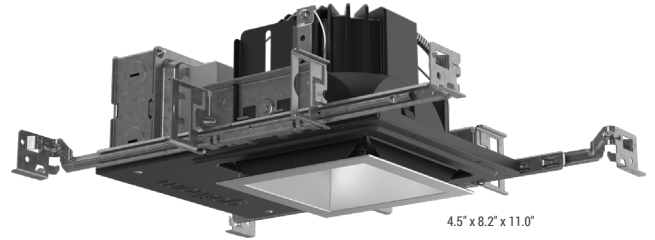
IVO™ 4" Square Downlight

New Construction

TRIM STYLES AND COLORS



Parabolic



4.5" x 8.2" x 11.0"

New construction housing shown. Please see page 6 for full set of dimensional drawings.

Flange Styles



Flanged



Flangeless

Reflector Colors



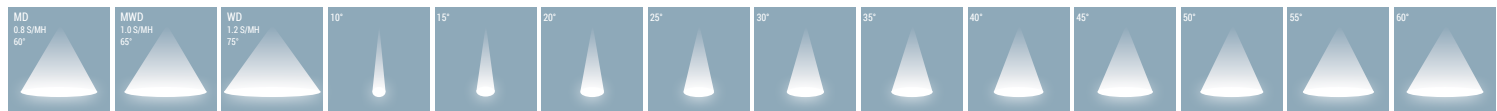
Clear Alzak Gold Pewter Wheat Black White Anti-Microbial Soft White Bronze

Feature Set

- Perfect Color™ consistency within 1/2-step MacAdam Ellipse
- Exceptional color rendering with 80 CRI, 90 CRI, or 95 CRI minimum
- Bounding Ray™ optical design delivers low brightness apertures for a comfortable lighting experience
- 45° visual cut-off angle to source
- Up to 90% lumen maintenance at 55,000 hours
- Wet Location optional, covered ceiling
- Easy installation and servicing with snap-in Driver
- Batwing distributions with feathered edges to provide even illumination fixture-to-fixture
- Clean beams with soft transitions from narrow spot up to wide flood distributions
- Field changeable optics available every 5°

QUICK SPECIFICATIONS

Distribution / Beam Angles



Superior Performance*

Nominal Lumens	05LM	07LM	10LM	15LM	20LM	25LM	30LM	35LM	40LM	45LM
Delivered Lumens	518	773	1041	1562	2069	2571	2872	3482	3990	4452
Wattage	5.1	7.3	9.8	15.0	20.5	26.8	29.7	34.4	41.8	45.3
Lumens per Watt	101	105	106	104	101	96	97	101	95	98

*Based on 3500K MWD 80CRI P AR LSS

PRODUCT FAMILY

IVO 4" Square Product Family



Downlight



Lensed WW



Surface Cylinder



Pendant Cylinder



Wall Cylinder



Wall Adjustable Cylinder



Luminaire Type:

Catalog Number:

ORDERING INFORMATION

EXAMPLE: IVO4 D 10LM 35K 80CRI MWD MIN10 MVOLT ZT NCH P AR LSS F

Series	Function	Lumen Packages	Kelvin Temperature	Color Rendering Index	Distribution
IVO4SQ Square Recessed	D Downlight	05LM ¹ 500 Lumens	27K 2700K	80CRI 80+ CRI	Narrow / Flood 10D 10° 30D 30° 50D 50° 15D 15° 35D 35° 55D 55° 20D 20° 40D 40° 60D 60° 25D 25° 45D 45° General Illumination / Batwing MD Medium Batwing (0.8 s/mh, 60°) MWD Medium Wide Batwing (1.0 s/mh, 65°) WD Wide Batwing (1.2 s/mh, 75°)
		07LM 750 Lumens	30K 3000K	90CRI ² 90+ CRI	
		10LM 1000 Lumens	35K 3500K	95CRI ² 95+ CRI	
		15LM 1500 Lumens	40K 4000K		
		20LM 2000 Lumens	50K 5000K		
		25LM 2500 Lumens			
		30LM 3000 Lumens			
		35LM 3500 Lumens			
		40LM ⁶ 4000 Lumens			
		45LM ⁷ 4500 Lumens			

Dimming Level	Voltage	Control Input	Emergency Option
MIN10 Min 10% Dim Level	MVOLT Multi-Volt input, 120V-277V	ZT ⁴ Generic 0-10V	(Blank) No Emergency Pack
MIN1 Min 1% Dim Level		EZT EldoLED 0-10V	E7W ⁸ IOTA 7W Emergency battery pack, Constant Power, Title 20 compliant, integrated test switch.
DARK Min 0.1% Dim Level, Dim-to-Dark	120 120V input	ELV ⁵ Phase Dimming (Forward/Reverse) (120V only)	E7WR ^{7,8} IOTA 7W Emergency battery pack, Constant Power, Title 20 compliant, remote test switch.
	347 ³ 347V input	DMX ⁶ DMX	E10W ⁹ IOTA 10W Emergency battery pack, Constant Power, Title 20 compliant, integrated test switch
		DALI ⁶ DALI-2	E10WR ⁹ IOTA 10W Emergency battery pack, Constant Power, Title 20 compliant, remote test switch.
		NLIGHT Embedded wired controls by nLight	GTD ^{9,10} Generator Transfer Device
		NLTAIR2 Embedded wireless controls by nLight	
		NLIGHTER Embedded wired controls by nLight with UL924 listed emergency operation	
		NLTAIREM2 Embedded wireless controls by nLight with UL924 listed emergency operation	

Housing Style	Options	Trim Style	Trim Color	Trim Finish	Flange Style
NCH Non-IC Housing (new construction only)	SF Single Fuse (no 347V)	P Open Reflector	AR Clear Metalized	LD Matte Diffuse	F Self Flanged (color matches trim)
ICAT IC/Airtight Housing (new construction only) 1500LM max.	WL Wet Location		BR Black (painted)	LSS Semi Specular	FL Flangeless (Drywall)
CP Chicago Plenum CCEA Housing (new construction only)			GR Gold Metalized		FBL ¹³ Flange Only Black
			PR Pewter Metalized		FWR ¹⁴ Flange Only White
			WTR Wheat Metalized		FRALTB ¹² Flange Only RAL
			WMR ¹¹ Soft White Matte (painted)		FCPC Flange Only Custom Paint Color
			WRAMF ¹¹ White with Anti-Microbial (painted)		
			BZR ^{11,15} Dark Bronze Matte (painted)		
			TRALTB ¹² Trim RAL # (TBD for pricing only)		
			TCPC Trim Custom Paint Color		

ACCESSORIES – order as separate catalog numbers (shipped separately)

GRAS4/6.5IVO JZ	Square goof ring adaptor, 4" ID, 6.5" OD
CTAIVODL20	Trim ceiling thickness adaptors for 1-1/4" to 2" thick ceilings and ≤ 30LM (includes set of two for one trim).
CTAIVODL27	Trim ceiling thickness adaptors for 2" to 2-3/4" thick ceilings and ≤ 30LM (includes set of two for one trim).
CTAIVODL30	Trim ceiling thickness adaptors for 2-3/4" to 3" thick ceilings and ≤ 30LM (includes set of two for one trim).

ORDERING NOTES

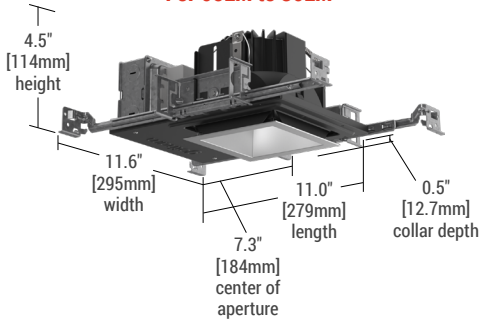
- | | |
|---|--|
| <ol style="list-style-type: none"> 05LM only available with ELV or ZT. Not available with 347V. 90CRI not available with 50K, 95CRI not available with 35K, 40K or 50K. 347 only available with ZT and MIN1 or MIN10. Not available with nLight or Emergency options. 40LM max. ZT is not available with DARK. ELV only available with MIN1 and 120V. DMX and DALI are only available with DARK. E7WR is not available with CP housing. E7W and E7WR and not available with ICAT. E10W, E10WR and GTD not available with ICAT or CP. GTD only available with NCH and ZT, ELV, or EZT. | <ol style="list-style-type: none"> Not available with Trim Finishes. Replace with applicable RAL number and finish when ready to order. See RAL BROCHURE for available color options. For use with different reflector flange color only (i.e AR, BZR, GR, PR, WR, WTR, WMR, WRAMF). Not available with BR (black reflector) or FL or FLM (flangeless) options. For use with different reflector flange color only (i.e AR, BR, BZR, GR, PR, WTR). Not available with WR, WMR, WRAMF (white reflector) or FL or FLM (flangeless) options. Corrosion Resistant Powder Coat. 40LM and CP requires Marked Spacing. 45LM and NCH requires Marked Spacing. |
|---|--|



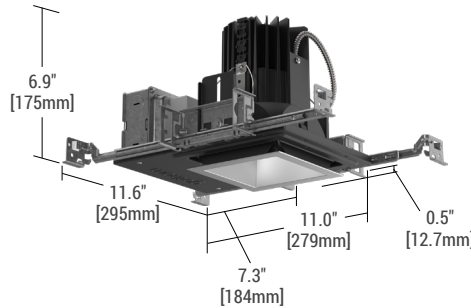
New Construction Dimensions

- Dimensions in inches [millimeters] are overall width and height (including mounting hardware Butterfly Brackets / Hanger Bars), length excludes extendable Hanger Bars.
- ½" clearance on all sides from non-combustible materials for non-IC applications required, unless marked spacing is noted otherwise.
- nLight Air Antenna extends 1.5" off the end of the j-box (lengthwise).
- Ceiling cutout for Flanged Trim is 5.13", ceiling cutout for Flangeless Trim is 5.25".
- Fixture with Marked Spacing require the following clearances (min): 24" center-to-center, 12" center to side building member, 2" overhead to building member
- Hanger Bars are extendable from 8.5" to 24".

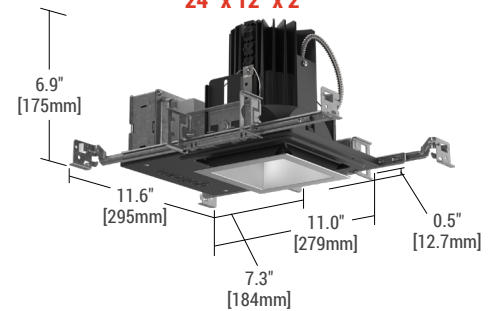
**Non-IC Housing (NCH)
For 05LM to 30LM**



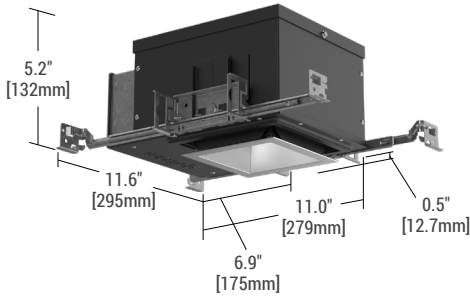
**Non-IC Housing (NCH)
For 35LM to 40LM**



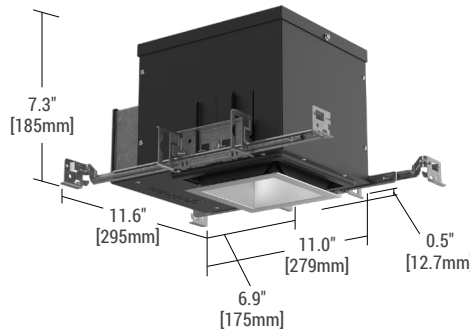
**Non-IC Housing (NCH)
For 45LM – MARKED SPACING
24" x 12" x 2"**



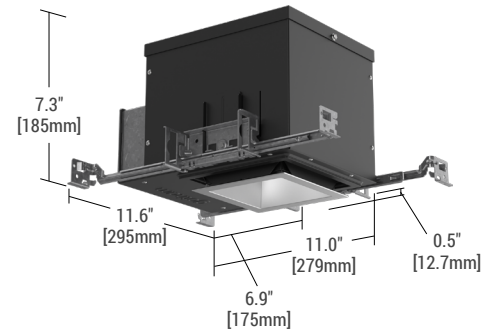
**Chicago Plenum Housing (CP)
For 05LM to 25LM**



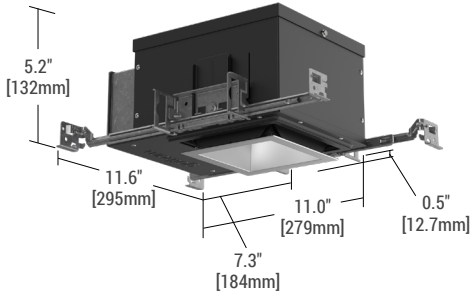
**Chicago Plenum, New Construction Housing (CP)
For 30LM to 35LM**



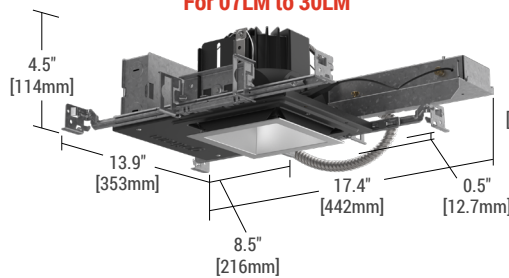
**Chicago Plenum Housing (CP)
For 40LM – MARKED SPACING
24" x 12" x 2"**



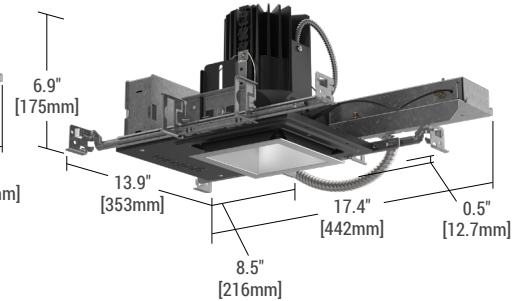
**IC rated Housing (ICAT)
For 05LM to 15LM**



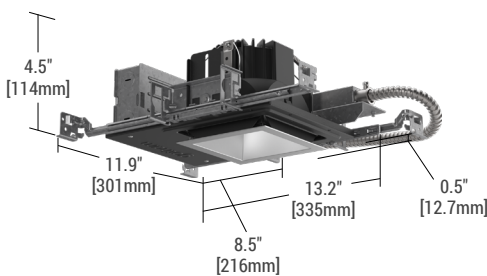
**Non-IC Housing (NCH)
with E7Wx, E10Wx Emergency Battery
For 07LM to 30LM**



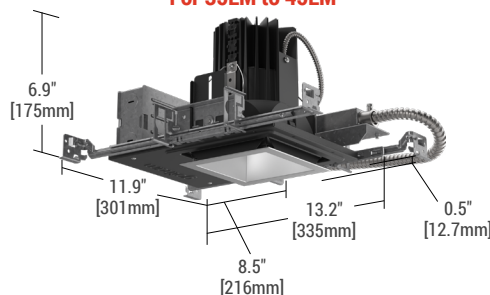
**Non-IC Housing (NCH)
with E7Wx, E10Wx Emergency Battery
For 35LM to 45LM**



**Generator Transfer Device Housing (GTD)
For 07LM to 30LM**



**Generator Transfer Device Housing (GTD)
For 35LM to 45LM**



Trim Style and Flange Option

• Dimensions in inches [millimeters]



Parabolic Flanged
(P) (F)



Parabolic Flangeless
(P) (FL)

Parabolic Flange Outer Dimension:	□ 5.5"	[140]
Parabolic Flangeless Outer Dimension:	□ 4.8"	[121]
Parabolic Inner Dimension:	□ 4.3"	[109]
Parabolic Aperture Dimension:	□ 3.0"	[76]

Trim Color



Clear Anodized
(AR)



Soft White
Matte Painted
(WMR)



Black Anodized
(BR)



Gold Anodized
(GR)



Pewter Anodized
(PR)



Wheat Anodized
(WTR)



Dark Bronze
Gloss Painted
(BZR)



White Anti-Microbial
Gloss Painted
(WRAMF)

Parabolic Flanged shown.

Optical Finish



Semi-Specular
(LSS)



Specular
(LS)



Matte Diffuse
(LD)

Clear Anodized shown.

Note: These colors were carefully reproduced to give as true a depiction as possible of the finished product color. Some colors, however, may vary slightly from actual appearance due to display/printing variations and limitations. Please contact a Gotham representative for an Architectural Color Chip Kit (GCOLORS KIT), consisting of Powder-Coated and Plated Finishes.



Optical System

- Bounding Ray™ optical design delivers low brightness apertures for a comfortable lighting experience and ensures no source image up to cut-off angle, minimizing glare.
- 45° visual cut-off angle to source
- Top-Down Flash characteristics avoids flash on trim until source becomes visible.
- Batwing distributions with feathered edges to provide even illumination fixture-to-fixture. Available with 0.8, 1.0, and 1.2 spacing-to-mounting-height ratio (s/mh).
- Clean beams with soft transitions from narrow spot up to wide flood distributions with optics available every 5°
- Optics are field changeable (tool-free).

LED Light Engine

- Perfect Color™ consistency within 1/2-step MacAdam Ellipse using proprietary pick and place algorithm
- 90% lumen maintenance at 55,000 hours.
- Available in 80, 90, or 95 CRI. 90CRI has R9 greater than 50, 95 CRI has R9 greater than 80.

Trims

- Trims are field changeable via twist-lock (tool-free).
- Trims are available in 9 colors and 3 surface finishes (standard)
- Custom RAL and Paint colors available upon request.
- Wall Wash and Downlight Trims are designed to be interchangeable.

Electrical

- 120, 347, or Multi-Volt (MVOLT) 120-277 VAC input at 50/60 Hz
- Power Factor > 85%
- Input wires 18 AWG, 600V minimum, copper
- Fixtures are ROHS compliant

EMI/RFI

- EMI/RFI per FCC Title 47 CFR, Part 15, Class A rated standard.

Controls (Optional)

- Luminaire can be equipped with interface for nLight wired, allowing it to communicate over an nLight network. Couple with nLight-enabled sensors, power packs, or WallPods using CAT-5 cabling to create an nLight Control Zone. Link Control Zone to a Gateway directly or via a Bridge for remote status monitoring and control using SensorView software.
- Luminaire can be equipped with interface for nLight Air, allowing it to communicate over the wireless nLight control platform. Can be paired to other luminaires and wall switches through CLAIRITY+, a mobile app, which allows individual fixture control.

Dimming

- Luminaire is capable of continuous dimming without perceivable flicker (stroboscopic) as measured by flicker index (ASNI/IES RP-16-10).
- Available dimming ranges include: 100%-10% (MIN10), 100%-1% (MIN1), and 100%-0.1% (DARK) of rated lumen output.
- Available with smooth shut off function from minimum dimming level to 0%.
- EldoLED drivers (EZT, DALI) conform to IEEE P1789 standards.
- Drivers are inaudible in 24dB environment and stable even when input voltage conditions experience typical commercial environment fluctuations.

Emergency Battery (Optional)

- Luminaires equipped with battery pack (E7W, E10W, E15W) comply with NFPA 101 (Life Safety Code) and deliver constant light output for a duration of 90 minutes minimum with AC power loss.
- Emergency battery is CEC T20 compliant.

Installation

- Patent-pending Wire-Form Mounting Springs with custom profile facilitates effortless installation, maintains tension across various ceiling thicknesses, and ensures a snug-fit of the trim to the ceiling with no sag.
- Plug-in Driver design allows for quick and easy installation and servicing.
- Light Engine, Driver, Housing, and Trim can be installed tool-free.
- Ceiling Thickness Adapters available for 1.25" to 3" thick ceilings.

Construction

- Access to Light Engine, Driver, and branch circuit conductors is available from below the ceiling without the use of tools.
- Universal Mounting Butterfly Brackets can adjust vertically 2.5" and accept various mounting bars including ¾" and 1-1/2" C Channel, ½" or ¾" Flat Strap, ½" Conduit, and ½" Angle Bars, as well as standard Hanger Bars (included).
- Hanger Bars are extendable from 8.5" to 24".
- Luminaire is constructed with 20 gauge min cold-rolled steel, galvanized steel, and aluminum.

Listings

- Fixtures are CSA certified to meet US and Canadian standards.
- All fixtures are manufactured in strict accordance with the appropriate and current requirements of the "Standards for Safety" per UL.
- Damp Location standard.
- Wet Location available, covered ceiling.

Photometrics

- All photometry is conducted by IESNA standard LM-79-08 in an accredited lab.
- LEDs are tested to LM-80 standards. Lumen maintenance is calculated via TM-21.

Warranty

- 5-year limited warranty. This is the only warranty provided and no other statements in this specification sheet create any warranty of any kind. All other express and implied warranties are disclaimed. Complete warranty terms located at: www.acuitybrands.com/support/warranty/terms-and-conditions

Note:

- Actual performance may differ as a result of end-user environment and application.
- All values are design or typical values, measured under laboratory conditions at 25 °C.
- The product images shown are for illustration purposes only and may not be an exact representation of the product.

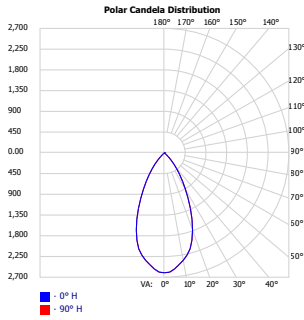
A+ Capable Luminaire

This item is an A+ capable luminaire, which has been designed and tested to provide consistent color appearance and out-of-the-box control capability with simple commissioning when used with Acuity Brands controls products.

All configurations of this luminaire are calibrated and tested to meet the Acuity Brands' specification for chromatic consistency - including color rendering, color fidelity and color temperature tolerance around standard CIE chromaticity coordinates.

To learn more about A+, visit www.acuitybrands.com/aplus.

MD Medium Beam
IVO4SQ D 20LM 35K 80CRI MD P AR LSS



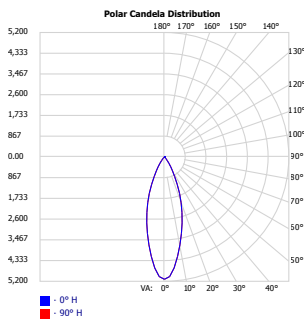
Wattage: 20.5, Lumens: 2005.9, LPW: 98, S/MH: .83, Test No: 25-032-6P1401

Candela Summary	
0°	2517
10°	2333
20°	1813
30°	931
40°	290
50°	28
60°	7
70°	3
80°	1
90°	0

Zonal Lumen Summary		
Zone	Lumens	%
0-30	1476.1	73.6%
0-40	1873.3	93.4%
0-60	1999.6	99.7%
0-90	2005.9	100.0%

Cone of Light			
Mounting Height	Initial FC Center Beam	Beam Diameter (ft)	
		Horizontal	Vertical
8'	39.34	7.9	7.9
10'	25.17	9.9	9.9
12'	17.48	11.8	11.9
14'	12.84	13.8	13.9
16'	9.83	15.8	15.9

35 Degree Beam
IVO4SQ D 20LM 35K 80CRI 35D P AR LSS



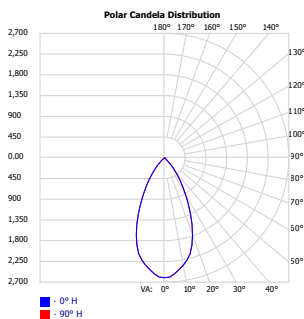
Wattage: 20.5, Lumens: 2131.9, LPW: 104, S/MH: .62, Test No: 25-032-9P701

Candela Summary	
0°	4409
10°	3466
20°	2135
30°	702
40°	132
50°	17
60°	5
70°	2
80°	1
90°	0

Zonal Lumen Summary		
Zone	Lumens	%
0-30	1799.8	84.4%
0-40	2068.3	97.0%
0-60	2127.4	99.8%
0-90	2131.9	100.0%

Cone of Light			
Mounting Height	Initial FC Center Beam	Beam Diameter (ft)	
		Horizontal	Vertical
8'	68.9	5.7	5.7
10'	44.09	7.1	7.1
12'	30.62	8.5	8.5
14'	22.5	9.9	9.9
16'	17.22	11.3	11.3

50 Degree Beam
IVO4 D 20LM 35K 80CRI 50D P AR LSS



Wattage: 20.5, Lumens: 2005.9, LPW: 98, S/MH: .83, Test No: 25-032-6P1415

Candela Summary	
0°	2517
10°	2333
20°	1813
30°	931
40°	290
50°	28
60°	7
70°	3
80°	1
90°	0

Zonal Lumen Summary		
Zone	Lumens	%
0-30	1476.1	73.6%
0-40	1873.3	93.4%
0-60	1999.6	99.7%
0-90	2005.9	100.0%

Cone of Light			
Mounting Height	Initial FC Center Beam	Beam Diameter (ft)	
		Horizontal	Vertical
8'	39.34	7.9	7.9
10'	25.17	9.9	9.9
12'	17.48	11.8	11.9
14'	12.84	13.8	13.9
16'	9.83	15.8	15.9

CRI/CCT Multiplier Table		
CRI	CCT	Multiplier
80	2700K	0.92
	3000K	0.96
	3500K	1.00
	4000K	1.01
	5000K	1.04
90	2700K	0.80
	3000K	0.85
	3500K	0.85
	4000K	0.89
95	2700K	0.68
	3000K	0.75

Reflector Finish Multiplier		
Trim Color	Optical Finish	Multiplier
AR	LSS	1.00
AR	LS	1.06
AR	LD	0.97
GR	LSS	0.97
GR	LS	0.98
GR	LD	0.92
PR	LSS	0.97
PR	LS	0.97
PR	LD	0.90
BR	LSS	0.68
BR	LS	0.68
BR	LD	0.68
WTR	LSS	0.87
WTR	LS	0.89
WTR	LD	0.87
WR		1.03
WMR		1.03
WRAMF		1.04
BZR		0.68

UGR (70% 50% 20% reflectance using a 4H x 8H room size)						
Lumen Package	Crosswise			Endwise		
	MD	MWD	WD	MD	MWD	WD
05LM	7.9	4.9	4.9	7.9	4.9	4.9
07LM	9.2	6.2	6.2	9.2	6.2	6.2
10LM	10.3	7.3	7.3	10.3	7.3	7.3
15LM	11.4	8.4	8.4	11.4	8.4	8.4
20LM	12.3	9.4	9.3	12.3	9.4	9.3
25LM	13	10.1	10.1	13	10.1	10.1
30LM	13.6	10.6	10.6	13.6	10.6	10.6

*UGR varies based on luminaire options and is affected by application dependent parameters. Numbers depicted here are considered "Luminaire-UGR" and/or "Point-UGR" values. To determine a more precise maximum UGR value ("Application-UGR"), a full lighting design layout should be completed with the selected luminaire configuration for each application.

**Calculated using an AR (Clear reflector) with LSS (Semi-Specular) finish

UGR of zero for fixtures aimed at nadir with a cut-off equal to or less than 60deg per CIE 117-1995 Discomfort Glare in Interior Lighting. [UGR FAQ](#)



Dimming Configurations	Dimming Level	Control Input	Dimming Level	Driver Dim Curve	Recommended Control Dim Curve	
	MIN10	+	ZT	100% to 10%	Linear	Linear/Logarithmic
		+	EZT	100% to 10%	Linear	Linear/Logarithmic
	MIN1	+	ZT	100% to 1%	Linear	Linear/Logarithmic
		+	EZT	100% to 1%	Linear	Linear/Logarithmic
		+	ELV	100% to 1%*	n/a	n/a
	DARK	+	EZT	100% to 0.1%	Logarithmic	Linear
		+	DMX	100% to 0.1%	Square	Linear
		+	DALI	100% to 0.1%	Logarithmic	Linear

* ELV Minimum Dimming level depends on dimmer and dimmer load

Embedded Night Configurations	Dimming Level	Control Input	Dimming Level	Control Provided	Driver Provided	
	MIN10	+	NLIGHT	100% to 10%	NIO EZDXA	eldoLED 0-10V ECOdrive
		+	NLIGHTER	100% to 10%	NIO EZDCL ER	eldoLED 0-10V ECOdrive
		+	NLTAIR2	100% to 10%	RIO EZDL G2	eldoLED 0-10V ECOdrive
		+	NLTAIREM2	100% to 10%	RIO EZDL EM G2	eldoLED 0-10V ECOdrive
	MIN1	+	NLIGHT	100% to 1%	NIO EZDXA	eldoLED 0-10V ECOdrive
		+	NLIGHTER	100% to 1%	NIO EZDCL ER	eldoLED 0-10V ECOdrive
		+	NLTAIR2	100% to 1%	RIO EZDL G2	eldoLED 0-10V ECOdrive
		+	NLTAIREM2	100% to 1%	RIO EZDL EM G2	eldoLED 0-10V ECOdrive
	DARK	+	NLIGHT	100% to 0.1%	NIO EZDXA	eldoLED 0-10V SOLOdrive
		+	NLIGHTER	100% to 0.1%	NIO EZDCL ER	eldoLED 0-10V SOLOdrive
		+	NLTAIR2	100% to 0.1%	RIO EZDL G2	eldoLED 0-10V SOLOdrive
		+	NLTAIREM2	100% to 0.1%	RIO EZDL EM G2	eldoLED 0-10V SOLOdrive

How to Estimate Delivered Lumens in Emergency Mode

Delivered Lumens = 1.25 x P x LPW

P = Output Power/Wattage of Emergency Battery Driver (E7WR* = 7W, E10WR* = 10W, E15WR* = 15W)

LPW = Lumen per Watt rating of luminaire based on Ordering Code selections

Flangeless Installation

Gotham's flangeless option utilizes a micro-thin polymer mud ring that minimizes the amount of drywall compound required to finish the ceiling. The end result is a virtually undetectable flangeless downlight installation.

The polymer mud ring is installed independent of the of the recessed frame, therefore floating with the ceiling. This innovation minimizes any surface cracks during reflector installation, ceiling movement and any future service to the recessed frame, wiring, electronics, etc.



Partially finished mud ring, showing cross-section detail.



An IVO downlight requires only approximately 3" of plaster to finish.



IVO with flangeless trim





Single Lighting Controls Platform for Indoor & Outdoor Spaces

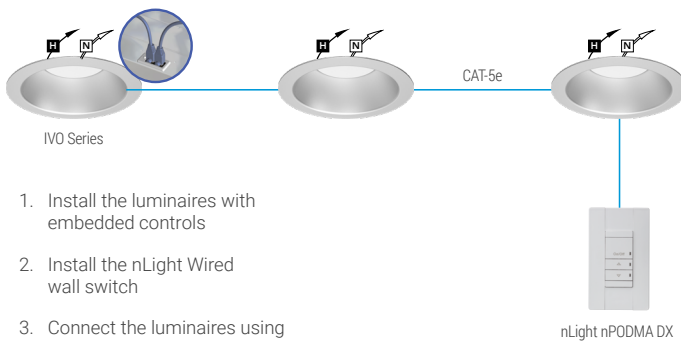
nLight® is your networked lighting controls platform, for indoor and outdoor applications, providing wired or wireless options. Scaling from room to campus-wide applications, it is the one platform that grows with your business today and tomorrow; to seamlessly address energy cost optimization, building code compliance, improved occupant comfort, and much more. nLight also interfaces with DALI®, BACnet®, DMX and additional third-party devices.

nLightcontrols.com

nLIGHT

Wired Embedded Controls

Wireless Embedded Controls



1. Install the luminaires with embedded controls
2. Install the nLight Wired wall switch
3. Connect the luminaires using standard CAT-5e cables and the controls devices will automatically discover each other and work (plug and play)



1. Install the luminaires with embedded controls
2. Install the nLight AIR battery-powered wall switch
3. Use **CLAIRITY+** mobile app to pair the fixtures with the wall switch and if desired, customize the sensor settings

UL924 Sequence of Operation

The below information applies to all nLight AIR devices with an EM option.

- EM devices will remain at their high-end trim and ignore wireless lighting control commands, unless a normal-power-sensed (NPS) broadcast is received at least every 8 seconds.
- Using the **CLAIRITY+** mobile app, EM devices must be associated with a group that includes a normal power sensing device to receive NPS broadcasts.
- Only non-emergency rPP20, rLSXR, rSBOR, rSDGR, and nLight AIR luminaires with version 3.4 or later firmware can provide normal power sensing for EM devices. See specification sheets for control devices and luminaires for more information on options that support normal power sensing.



LOW VOLTAGE DUAL TECHNOLOGY CEILING SENSORS

DT-300 SERIES

Architecturally appealing low-profile appearance

Walk-through mode increases savings potential

Ultrasonic diffusers give more comprehensive coverage



Plug terminal wiring for quick and easy installation

Accepts low-voltage switch input for manual-on operation

Supports automatic or manual-on operation



DESCRIPTION

The DT-300 Series Dual Technology Ceiling Sensors combine the benefits of passive infrared (PIR) and ultrasonic technologies to detect occupancy. Sensors have a flat, unobtrusive appearance and provide 360 degrees of coverage.

OPERATION

Low voltage DT-300 Series sensors utilize a Wattstopper power pack to turn lights on when both PIR and ultrasonic technologies detect occupancy. They can also work with a low voltage switch for manual-on operation. PIR technology senses motion via a change in infrared energy within the controlled area, whereas ultrasonic uses 40KHz high frequency ultrasound. Once lights are on, detection by either technology holds them on. When no occupancy is detected for the length of the time delay, lights turn off. DT-300 Series Sensors can also be set to trigger lights on when either technology or both detect occupancy, or to require both technologies to hold lighting on.

TIME DELAY OPTIONS

The DT-300 is factory set for a 20 minute time delay, ideal for both energy savings and user satisfaction in most applications. Installers can quickly select other fixed time delays (5, 10, 15 or 30 minutes) via DIP switches. Fixed time delays eliminate the occupant dissatisfaction associated with an automatically adjusted time delay option, and reduce callbacks. Walk-through mode may be enabled for added energy savings in spaces with frequent transient traffic.

APPLICATIONS

DT-300 Series Dual Technology Sensors have the flexibility to work in a variety of applications, where one technology alone could cause false triggers. Ideal applications include classrooms, open office spaces, large offices and computer rooms. The DT-300 Series mounting system makes them easy to install in ceiling tiles or to junction boxes, providing the flexibility to be used in a wide range of spaces.

FEATURES

- Advanced control logic based on RISC micro-controller provides:
 - Detection Signature Processing eliminates false triggers and provides immunity to RFI and EMI
 - Walk-through mode turns lights off three minutes after the area is initially occupied – ideal for brief visits such as mail delivery
- Available with built-in light level sensor featuring simple, one-step setup
- Patented ultrasonic diffusion technology spreads coverage to a wider area
- LEDs indicate occupancy detection
- Sensors work with low-voltage momentary switches to provide manual control
- Uses plug terminal wiring system for quick and easy installation
- Eight occupancy logic options provide the ability to customize control to meet application needs
- Available with isolated relay for integration with BAS or HVAC
- BAA/TAA-compliant models available
- Sensor coverage tested to NEMA Guide Publication WD 7-2000

PROJECT

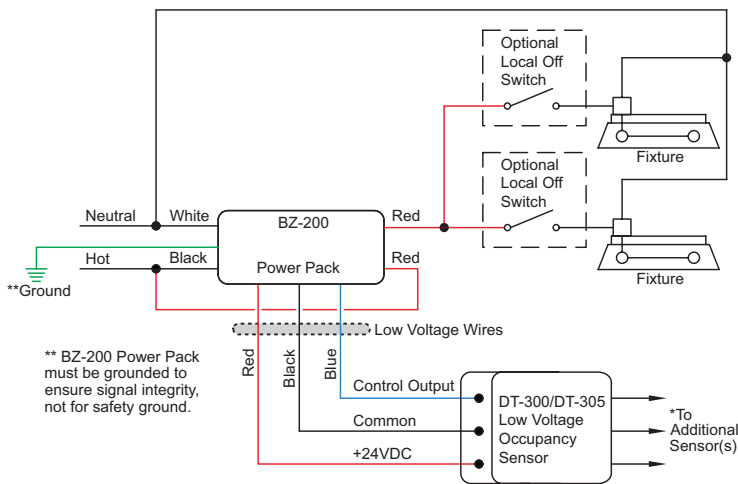
LOCATION/
TYPE

SPECIFICATIONS

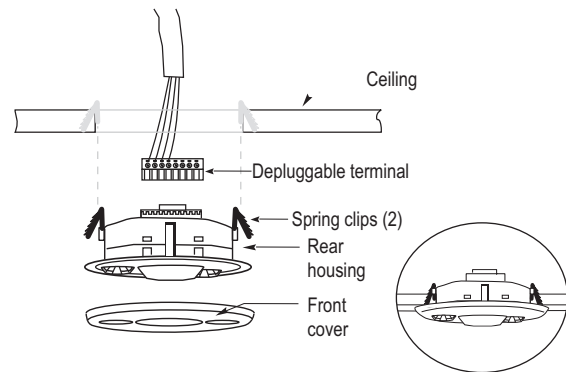
- 18–28 VDC/VAC
- Current Consumption @24VDC/VAC
 - DT-300: 25mA (DC)/74mA (AC)
 - DT-305: 16mA (DC)/69mA (AC)
- Ultrasonic frequency: 40kHz
- Time delays: 5, 10, 15, 20, or 30 minutes, Walk-through/Test Modes
- Sensitivity adjustment: High/low (PIR); variable with trim pot (ultrasonic)
- Built-in light level sensor: 10 to 300 footcandles (107.6 to 3,229.2 lux)
- Multi-level Fresnel lens provides 360° coverage
- Low-voltage, momentary switch input for manual on or off operation
- DT-300 contains an isolated relay with N/O and N/C outputs; rated for 1 Amp @ 30 VDC/VAC
- Mounting options: ceiling tile; 4" octagonal J-box, 1.5" deep
- Max DT-300s per BZ power pack: 6
Max DT-305s per BZ power pack: 7
- Dimensions: 4.50" diameter x 1.02" deep (114.3mm x 25.9mm)
- UL and cUL listed
- Five year warranty

WIRING & MOUNTING

Wiring Diagram

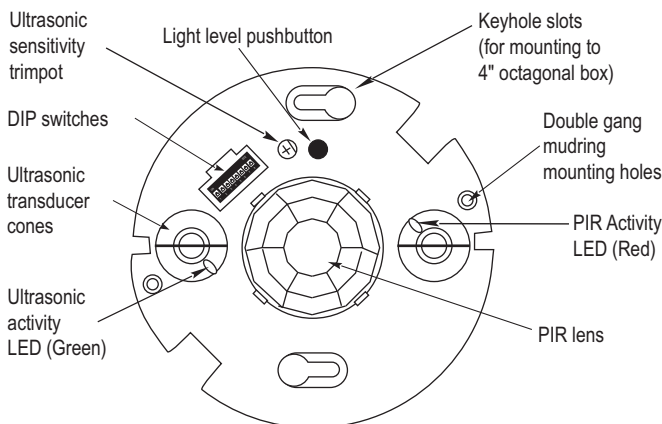


Ceiling Mounting



CONTROLS & SETTINGS

Product Controls



DIP Switch Settings

Feature	Switch#
Time Delay	1 2 3
Test Mode/20 min	↓ ↓ ↓
30 seconds	↓ ↓ ↓
5 minutes	↓ ↓ ↓
10 minutes	↓ ↓ ↓
15 minutes	↑ ↓ ↓
20 minutes	↑ ↓ ↓
25 minutes	↑ ↓ ↓
30 minutes	↑ ↑ ↑
Walk-Through	4
Enabled	↑
Disabled	↓ ◀
PIR Sensitivity	5
Minimum	↑
Maximum	↓ ◀

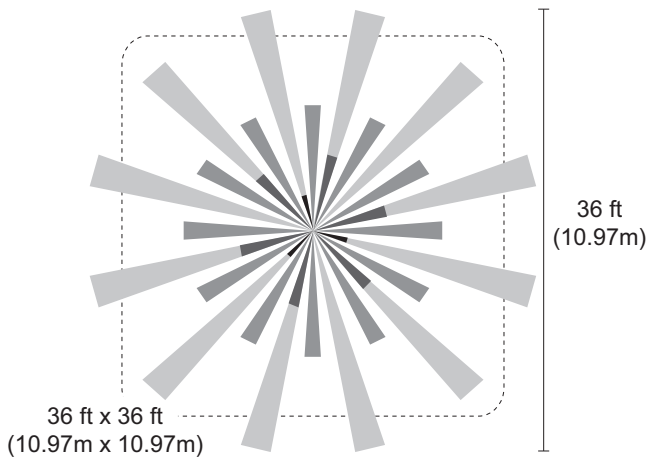
Settings	6	7	8
Standard	↓	↓	↓
Option 1	↑	↑	↓
Option 2	↑	↑	↑
Option 3	↑	↑	↓
Option 4	↓	↑	↑
Option 5	↑	↑	↑
Option 6	↑	↑	↑
Option 7	↑	↑	↑

Occupancy Logic	Initial Occupancy	Maintain Occupancy	Re-trigger (seconds duration)
Standard	Both	Either	Either(5)
Option 1	Either	Either	Either(5)
Option 2	PIR	Either	Either(5)
Option 3	Both	PIR	Both(5)
Option 4	PIR	PIR	PIR(5)
Option 5	Either	PIR	Either(5)
Option 6	Man.	Either	Either(30)
Option 7	Man.	PIR	Both(30)

◀ = Factory Setting
 ↑ = ON
 ↓ = OFF

The control technology (occupancy logic) is selectable. The default setting requires both technologies to trigger on, either to hold on, and is recommended for most applications.

COVERAGE



Coverage shown is maximum and represents half-step walking motion. Under ideal conditions, coverage for half-step walking motion can reach up to 1000 ft².

ORDERING INFORMATION

Catalog #	Voltage	Current	Coverage	Features
<input type="checkbox"/> DT-300	24VDC/VAC	25mA (DC)/ 74mA (AC)	up to 1000 ft ² (92.9 m ²)	Isolated relay, light level
<input type="checkbox"/> DT-300-U				
<input type="checkbox"/> DT-305	24VDC/VAC	16mA (DC)/ 69mA (AC)	up to 1000 ft ² (92.9 m ²)	
<input type="checkbox"/> DT-300-5-U				

Sensors are white and use Wattstopper power packs. Current consumption can be slightly higher when only one sensor per power pack is used.

-U = BAA/TAA compliant; product is compliant with Buy American Act and Trade Agreement Act



PGN Series

HIGH PERFORMANCE LED SCENCE

DATE: _____ LOCATION: _____

TYPE: _____ PROJECT: _____

CATALOG #: _____

PG Series

FEATURES

- Neutral white, 4000K LEDs
- Design optimized wide area illumination patterns
- No heads to aim, no adjustments to make
- Standard electrical box and conduit entry provisions
- 90-minute emergency operation from external 6 through 12V DC source
- Fast, easy installation
- Field installable full cut-off shield
- StarView™ Compliant



SPECIFICATIONS

APPLICATION

- The PGN is an indoor or outdoor architectural high performance LED sconce which offers "Normally On" and emergency operation in one fixture
- "Normally On" operation is powered by line voltage (120 or 277) that can be switched on/off and used for accent lighting, entrance/exit illumination
- Failure of line voltage will result in automatic operation from secondary DC voltage which must be supplied from an external 6-12V DC emergency lighting unit
- The PGN includes a field installable full cut-off shield to address "dark sky" compliant requirements

CONSTRUCTION

- Housing and mounting plate are constructed of 1/8" die-cast aluminum and sealed with a 1/8" closed-cell silicone gasket
- The acrylic lens allows 92% light transmission
- The reflector is electro-polished aluminum with 95% reflectance
- Housing finish is powder coated electro-deposition paint available in four colors: dark bronze, white, platinum silver and black
- Full cut-off shield constructed of cold-rolled steel, painted to match color as ordered

INSTALLATION

- Universal backplate knockouts for mounting to standard 3 1/2", 4" octagonal and 4" square electrical boxes
- Backplate mounting is performed using installer supplied hardware
- An adhesive-backed neoprene gasket is provided to ensure a waterproof seal.
- A 1/2" – 1/4 NPT threaded conduit opening is provided at the top of the enclosure and sealed with a closure plug
- The housing "snaps" to the back plate by a "pin and socket" arrangement, and is secured with two Phillips head screws

ILLUMINATION

- The unit is illuminated by 4 high power LED's arranged so that in the event of 1 or 2 LED failures the unit will continue to operate.

COMPLIANCES

- UL 924 Listed
- UL Wet Location Listed
- NFPA 101 Life Safety Code
- NFPA 70 National Electrical Code
- OSHA
- IES full cut-off compliant with application of field installed shield
- U.S. Patent No. D627,916

WARRANTY

- 3 Years Full

ORDERING GUIDE

Example: PGNW

CATALOG #	<input type="text"/>		
PGN			
Model	Finish		
PGN	High Performance LED Sconce	W	White
		Z	Dark Bronze
		P	Platinum Silver
		B	Black



PGN Series

HIGH PERFORMANCE LED SCNCE

DATE: _____ LOCATION: _____

TYPE: _____ PROJECT: _____

CATALOG #: _____

ORDERING GUIDE

Example: PGNW

CATALOG #	[]		
PG			
Model	Finish		
PGN High Performance LED Sconce	W White	Z Dark Bronze	P Platinum Silver
	B Black		

ELECTRONICS

The PGN has two modes of operation:

Normal mode: In normal mode, power is supplied from 120V or 277V AC source and may be switched on/off allowing the unit to behave like a typical luminaire.

Emergency mode: Upon failure of normal utility power, an external (6-12VDC) emergency power source (supplied separately) having transfer logic will operate the PGN as an emergency unit. In order for the unit to function properly as emergency lighting (NEC 700.12), the DC emergency source must be powered (under normal conditions) from the same AC circuit as that to the unit.

Number of Lamps: Four high output LEDs

Lamp Configuration: 4 individually driven LEDs provide illumination. In the event of 1 or 2 LED failures, the remaining LED's will continue to function

Lamp Type: Solid state high output LEDs

Lamp Color: Neutral White, 4000K

Color Rendering Index (CRI): 75

Total Lamp Output: 445 Lumens min. initial

Input: 120/277VAC, 60 Hz. "Normal"
6-12VDC "Emergency"

Battery Charger: Temperature compensating, constant current

Transfer: Solid state

Functional Circuitry: Transient surge protection

Operating Temperature Range: -30°C to 50°C (-22°F to 122°F)

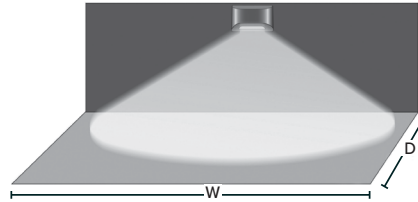
POWER CONSUMPTION

PGN	Normal		Emergency	
	120VAC	17Watts	6VDC	12watts
277VAC	17Watts	12VDC	13 watts	

Power factor, average: 0.8 (lagging)

ILLUMINATION PATTERN

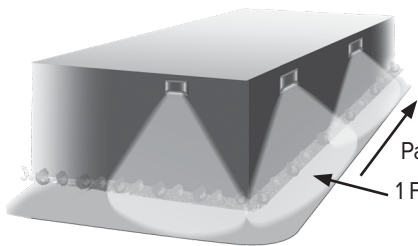
SINGLE UNIT COVERAGE



Mounting Height: 9'
Outdoor Reflectance: 0/30/10
Indoor Reflectance: 80/50/20

	Indoor	Outdoor
1 FC Average (W x D)	35' X 10'	29' X 10'
1 FC Minimum (W x D)	11' X 10'	10' X 10'

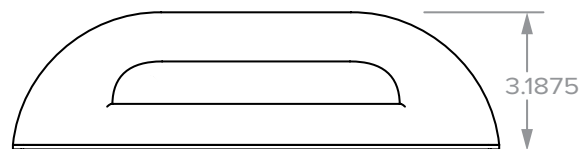
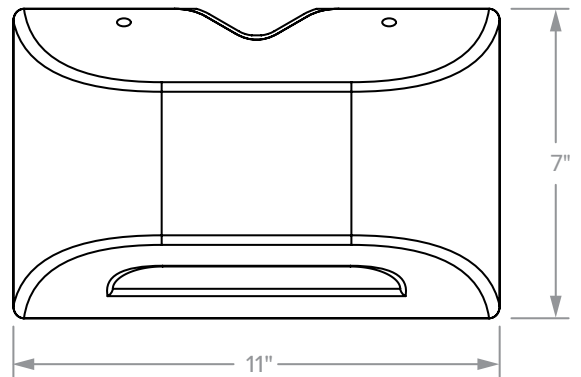
MULTIPLE UNIT SPACING



Mounting Height: 9'
Illuminated Path Depth: 6'
Outdoor Reflectance: 30/10
Indoor Reflectance: 80/50/20

	Indoor	Outdoor
1 FC Average	49'	37'
1 FC Minimum	19'	16'

DIMENSIONS



FEATURES & SPECIFICATIONS

INTENDED USE — Typical applications include corridors, lobbies, conference rooms and private offices.

CONSTRUCTION — Galvanized steel mounting/plaster frame; galvanized steel junction box with bottom-hinged access covers and spring latches. Reflectors are retained by torsion springs.

Vertically adjustable mounting brackets with commercial bar hangers provide 3-3/4" total adjustment.

Two combination 1/2"-3/4" and four 1/2" knockouts for straight-through conduit runs. Capacity: 8 (4 in, 4 out). No. 12 AWG conductors, rated for 90°C.

Accommodates 12"-24" joist spacing.

Passive cooling thermal management for 25°C standard; high ambient (40°C) option available. Light engine and drivers are accessible from above or below ceiling.

Max ceiling thickness 1-1/2".

OPTICS — LEDs are binned to a 3-step SDCM; 80 CRI minimum. 90 CRI optional.

LED light source concealed with diffusing optical lens.

General illumination lighting with 1.0 S/MH and 55° cutoff to source and source image.

Self-flanged anodized reflectors in specular, semi-specular, or matte diffuse finishes. Also available in white and black painted reflectors.

ELECTRICAL — Multi-volt (120-277V, 50/60Hz) 0-10V dimming drivers mounted to junction box, 10% or 1% minimum dimming level available.

0-10V dimming fixture requires two (2) additional low-voltage wires to be pulled.

70% lumen maintenance at 60,000 hours.

LISTINGS — Certified to US and Canadian safety standards. Wet location standard (covered ceiling). IP55 rated. ENERGY STAR® certified product.

BUY AMERICAN — Product with the BAA option is assembled in the USA and meets the Buy America(n) government procurement requirements under FAR, DFARS and DOT. Please refer to www.acuitybrands.com/buy-american for additional information.

WARRANTY — 5-year limited warranty. This is the only warranty provided and no other statements in this specification sheet create any warranty of any kind. All other express and implied warranties are disclaimed. Complete warranty terms located at: www.acuitybrands.com/support/warranty/terms-and-conditions

Note: Actual performance may differ as a result of end-user environment and application.

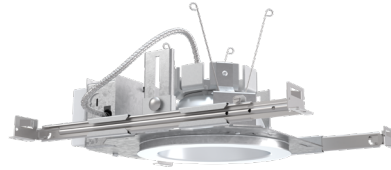
All values are design or typical values, measured under laboratory conditions at 25 °C.

Specifications subject to change without notice.



A+ Capable options indicated by this color background.

Catalog Number
Notes
Type



LDN6

**6" Open and WallWash LED
Non-IC
New Construction Downlight**



battery pack



ORDERING INFORMATION

Lead times will vary depending on options selected. Consult with your sales representative.

Example: LDN6 35/15 L06AR LSS MVOLT EZ10

LDN6 Series	Color temperature	Lumens ¹	Aperture/Trim Color	Finish	Voltage
LDN6 6" round	27/ 2700K	05 500 lumens	L06 Downlight	LSS Semi-specular	MVOLT Multi-volt
	30/ 3000K	07 750 lumens	LW6 Wallwash	LD Matte diffuse	120 120V
	35/ 3500K	10 1000 lumens		LS Specular	277 277V
	40/ 4000K	15 1500 lumens			347 ³ 347V
	50/ 5000K	20 2000 lumens			

Driver	Options
GZ10 0-10V driver dims to 10%	SF ⁴ Single fuse
GZ1 0-10V driver dims to 1%	TRW ⁵ White painted flange
D10 Minimum dimming 10% driver for use with JOT	TRBL ⁵ Black painted flange
D1 Minimum dimming 1% driver for use with JOT	EL ⁶ Emergency battery pack with integral test switch. 10W Constant Power, Not Certified in CA Title 20 MAEDBS
EZ10 0-10V eldoLED driver with smooth and flicker-free deep dimming performance down to 10%	ELR ⁶ Emergency battery pack with remote test switch. 10W Constant Power, Not Certified in CA Title 20 MAEDBS
	ELSD ⁶ Emergency battery pack with self-diagnostics, integral test switch. 10W Constant Power, Not Certified in CA Title 20 MAEDBS
EZ1 0-10V eldoLED driver with smooth and flicker-free deep dimming performance down to 1%	ELRSD ⁶ Emergency battery pack with self-diagnostics, remote test switch. 10W Constant Power, Not Certified in CA Title 20 MAEDBS
	E10WCP ⁶ Emergency battery pack, 10W Constant Power with integral test switch. Certified in CA Title 20 MAEDB
EDAB eldoLED DALI SOLDRIIVE dim to dark	E10WCPR ⁶ Emergency battery pack, 10W Constant Power with remote test switch. Certified in CA Title 20 MAEDB
	NPP16D ⁷ nLight® network power/relay pack with 0-10V dimming for non-eldoLED drivers (GZ10, GZ1).
	NPP16DER ⁷ nLight® network power/relay pack with 0-10V dimming for non-eldoLED drivers (GZ10, GZ1). ER controls fixtures on emergency circuit.
	N80 ⁸ nLight™ Lumen Compensation
	JOT ¹³ Wireless room control with "Just One Touch" pairing
	NPS80EZ ⁷ nLight® dimming pack controls 0-10V eldoLED drivers (EZ10, EZ1).
	NPS80EZER ⁷ nLight® dimming pack controls 0-10V eldoLED drivers (EZ10, EZ1). ER controls fixtures on emergency circuit.
	HAO ¹¹ High ambient option
	CP ¹² Chicago Plenum
	RRL___ RELOC®-ready luminaire connectors enable a simple and consistent factory installed option across all ABL luminaire brands. Available only in RRLA, RRLB, RRLAE, and RRLC12S. Refer to RRL spec sheet on www.acuitybrands.com for the RELOC product specifications.
	NLTAIR2 ^{9, 10, 14} nLight® Air enabled
	NLTAIRER2 ^{9, 10} nLight® AIR Dimming Pack Wireless Controls. Controls fixtures on emergency circuit, not available with battery pack options
	NLTAIREM2 ^{9, 10} nLight® AIR Dimming Pack Wireless Controls. UL924 Emergency Operation, via power interrupt detection. Available with battery pack options.
	BAA Buy America(n) Act Compliant
	90CRI High CRI (90+)

Accessories: Order as separate catalog number.	
PS1055CP	FMC Power Sentry battery pack, T20 compliant, field installable, 10w constant power
EAC ISSM 375	Compact interruptible emergency AC power system
EAC ISSM 125	Compact interruptible emergency AC power system
GRA68 JZ	Oversized trim ring with 8" outside diameter
SCA6	Sloped Ceiling Adapter. Degree of slope must be specified (5D, 10D, 15D, 20D, 25D, 30D). Ex: SCA6 10D

Notes

- Overall height varies based on lumen package; refer to dimensional chart on page 3.
- Not available with finishes.
- Not available with emergency options.
- Must specify voltage 120V or 277V.
- Available with clear (AR) reflector only.
- 12.5" of plenum depth or top access required for battery pack maintenance.
- Specify voltage. ER for use with generator supply EM power. Will require an emergency hot feed and normal hot feed.
- Fixture begins at 80% light level. Must be specified with NPS80EZ or NPS80EZER. Only available with EZ10 and EZ1 drivers.
- Not available with CP, NPS80EZ, NPS80EZER, NPP16D, NPP16DER or N80 options.
- NLTAIR2, NLTAIRER2 and NLTAIREM2 not recommended for metal ceiling installations.
- Fixture height is 6.5" for all lumen packages with HAO.
- Must specify voltage for 3000lm and above. 5000lm with marked spacing 24 L x 24 W x 14 H. Not available with emergency battery pack option.
- Must specify D10 or D1 driver. Not available with nLight options. Not available with CP. Not recommended for metal ceiling installation. Not for use with emergency backup power systems other than battery packs.
- When combined with EZ1 or EZ10 drivers, can be used as a normal power sensing device for nLight AIR devices and luminaires with EM options.

LDN6

PHOTOMETRY

Distribution Curve

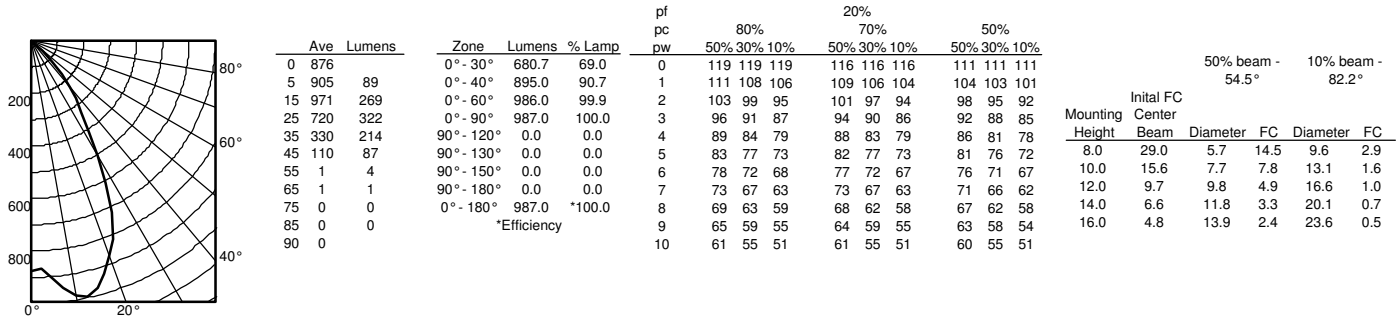
Distribution Data

Output Data

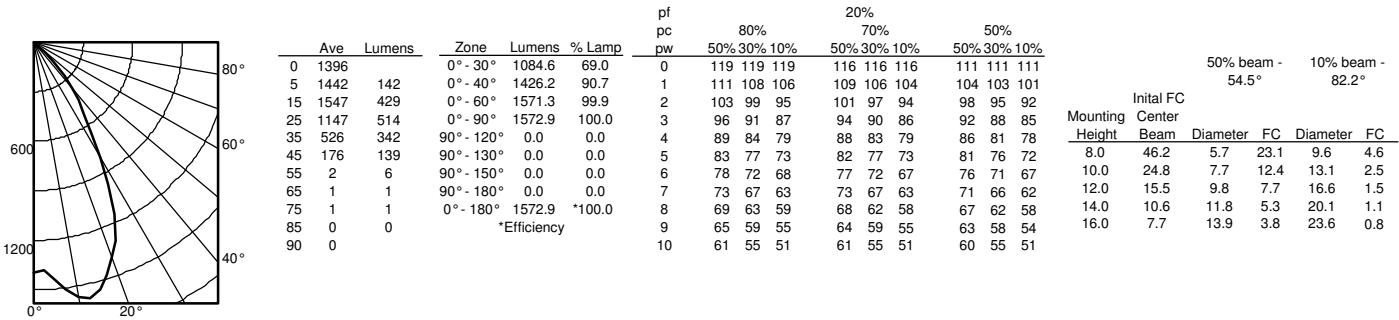
Coefficient of Utilization

Illuminance Data at 30" Above Floor for a Single Luminaire

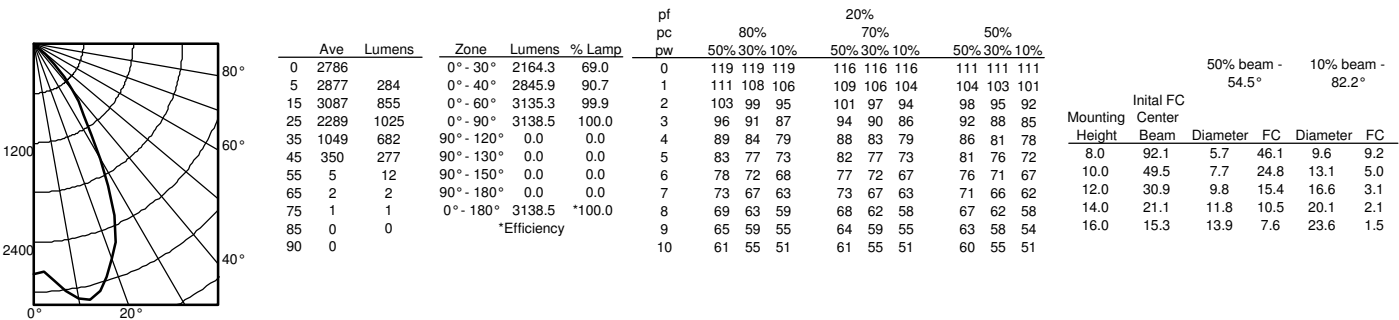
LDN6 35/10 L06AR, input watts: 10.44, delivered lumens: 987.10, LM/W = 94.54, spacing criterion at 0= 1.02, test no. ISF 30716P262.



LDN6 35/15 L06AR, input watts: 17.52, delivered lumens: 1572.9, LM/W = 89.77, spacing criterion at 0= 1.02, test no. ISF 30716P265.



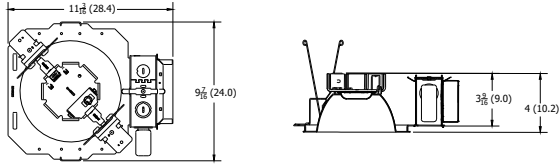
LDN6 35/30 L06AR, input watts: 34.75, delivered lumens: 3138.5, LM/W = 90.31, spacing criterion at 0= 1.02, test no. ISF 30716P274.



LDN6

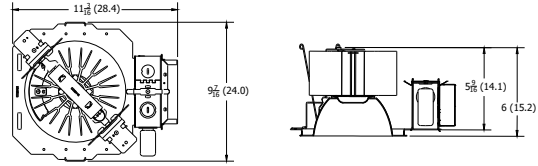
* All dimensions are inches (centimeters) unless otherwise noted.

LDN6 500 - 1500 LUMENS



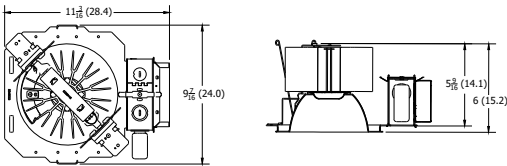
Aperture: 6-1/4 (15.9)
Ceiling Opening: 7-1/8 (18.1)
Overlap Trim: 7-1/2 (19.1)

LDN6 2000 - 3000 LUMENS



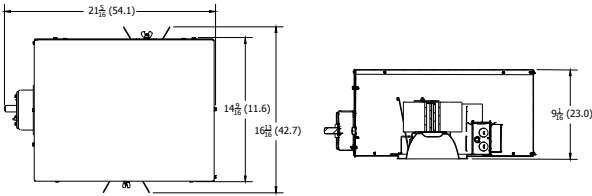
Aperture: 6-1/4 (15.9)
Ceiling Opening: 7-1/8 (18.1)
Overlap Trim: 7-1/2 (19.1)

LDN6 4000 - 5000 LUMENS



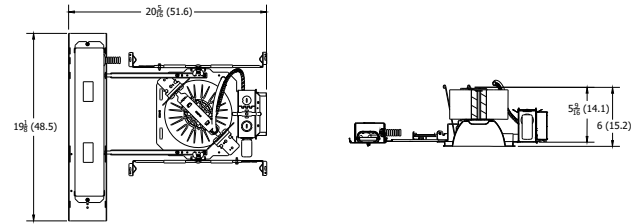
Marked Spacing: 24 x 24 x 10
Aperture: 6-1/4 (15.9)
Ceiling Opening: 7-1/8 (18.1)
Overlap Trim: 7-1/2 (19.1)

LDN6 CP



Aperture: 6-1/4 (15.9)
Ceiling Opening: 7-1/8 (18.1)
Overlap Trim: 7-1/2 (19.1)

LDN6 EL



Marked Spacing above 3000 Lumens: 24 x 24 x 10
Aperture: 6-1/4 (15.9)
Ceiling Opening: 7-1/8 (18.1)
Overlap Trim: 7-1/2 (19.1)

LDN6			
Nominal Lumens	Lumens	Wattage	Lm/W
500	527.9	5.8	90.5
750	758.1	8.9	85.1
1000	950.1	10.4	91.0
1500	1514	17.5	86.4
2000	2006	22.5	89.1
2500	2504	28.3	88.6
3000	3021	34.8	86.9
4000	4008	44.3	90.6
5000	4975	57.7	86.3

HOW TO ESTIMATE DELIVERED LUMENS IN EMERGENCY MODE

Use the formula below to estimate the delivered lumens in emergency mode

$$\text{Delivered Lumens} = 1.25 \times P \times \text{LPW}$$

P = Output power of emergency driver. P = 10W for PS1055CP

LPW = Lumen per watt rating of the luminaire. This information is available on the ABL luminaire spec sheet.

The LPW rating is also available at Designlight Consortium.

LUMEN OUTPUT MULTIPLIERS - FINISH			
	Clear (AR)	White (WR)	Black (BR)
Specular (LS)	1.0	N/A	N/A
Semi-specular (LSS)	0.950	N/A	N/A
Matte diffuse (LD)	0.85	N/A	N/A
Painted	N/A	0.87	0.73

LUMEN OUTPUT MULTIPLIERS - CCT					
	2700K	3000K	3500K	4000K	5000K
80CRI	0.950	0.966	1.000	1.025	1.101

Notes

- Tested in accordance with IESNA LM-79-08.
- Tested to current IES and NEMA standards under stabilized laboratory conditions.
- CRI: 80 typical.

ADDITIONAL DATA



The Sensor Switch JOT enabled solution offers a wireless, app-free approach to single room lighting control. JOT enabled products use Bluetooth® Low Energy (BLE) technology to enable wireless dimming and switching.

Diagram



LDN6 Series

Sensor Switch
WSXA JOT

- 1. Power:** Install JOT enabled fixtures and controls as instructed.
- 2. Pair:** Insert the pairing tool into the pinhole on the wall switch; press and hold any button for 6 seconds.
- 3. Play:** Once paired, each fixture will individually dim down to 10% brightness. All products will be fully functional.

COMPATIBLE 0-10V WALL-MOUNT DIMMERS		
MANUFACTURER	PART NO.	POWER BOOSTER AVAILABLE
Lutron®	Diva® DDTV	
	Diva® DVSCTV	
	Nova T® NTFTV	
	Nova® NFTV	
Leviton®	AWSMT-7DW	CN100
	AWSMG-7DW	PE300
	AMRMG-7DW	
	Leviton Centura Fluorescent Control System	
	IllumaTech® IP7 Series	
Synergy®	ISD BC	RDMFC
	SLD LPCS	
	Digital Equinox (DEQ BC)	
Douglas Lighting Controls	WPC-5721	
Entertainment Technology	Tap Glide TG600FAM120 (120V)	
	Tap Glide Heatsink TGH1500FAM120 (120V)	
	Oasis OA2000FAMU	
Honeywell	EL7315A1019	EL7305A1010 (optional)
	EL7315A1009	
HUNT Dimming	Presetslide: PS-010-IV and PS-010-WH	
	Presetslide: PS-010-3W-IV and PS-010-3W-WH	
	Presetslide, controls FD-010: PS-IFC-010-IV and PS-IFC-010-WH-120/277V	
	Presetslide, controls FD-010: PS-IFC-010-3W-IV and PS-IFC-010-3W-WH-120/277V	
	Remote mounted unit: FD-010	
Lehigh Electronic Products	Solitaire	PBX
PDM Electrical Products	WPC-5721	
Starfield Controls	TR61 with DALI interface port	RT03 DALI.net Router
WattStopper®	LS-4 used with LCD-101 and LCD-103	

This item is an A+ capable luminaire, which has been designed and tested to provide consistent color appearance and out-of-the-box control compatibility with simple commissioning.

- All configurations of this luminaire meet the Acuity Brands' specification for chromatic consistency
- This luminaire is part of an A+ Certified solution for nLight® control networks when ordered with drivers marked by a shaded background*
- This luminaire is part of an A+ Certified solution for nLight control networks, providing advanced control functionality at the luminaire level, when selection includes driver and control options marked by a shaded background*

To learn more about A+, visit www.acuitybrands.com/aplus.

*See ordering tree for details

LDN6

EXAMPLE

Group Fixture Control*

*Application diagram applies for fixtures with eldoLED drivers only.

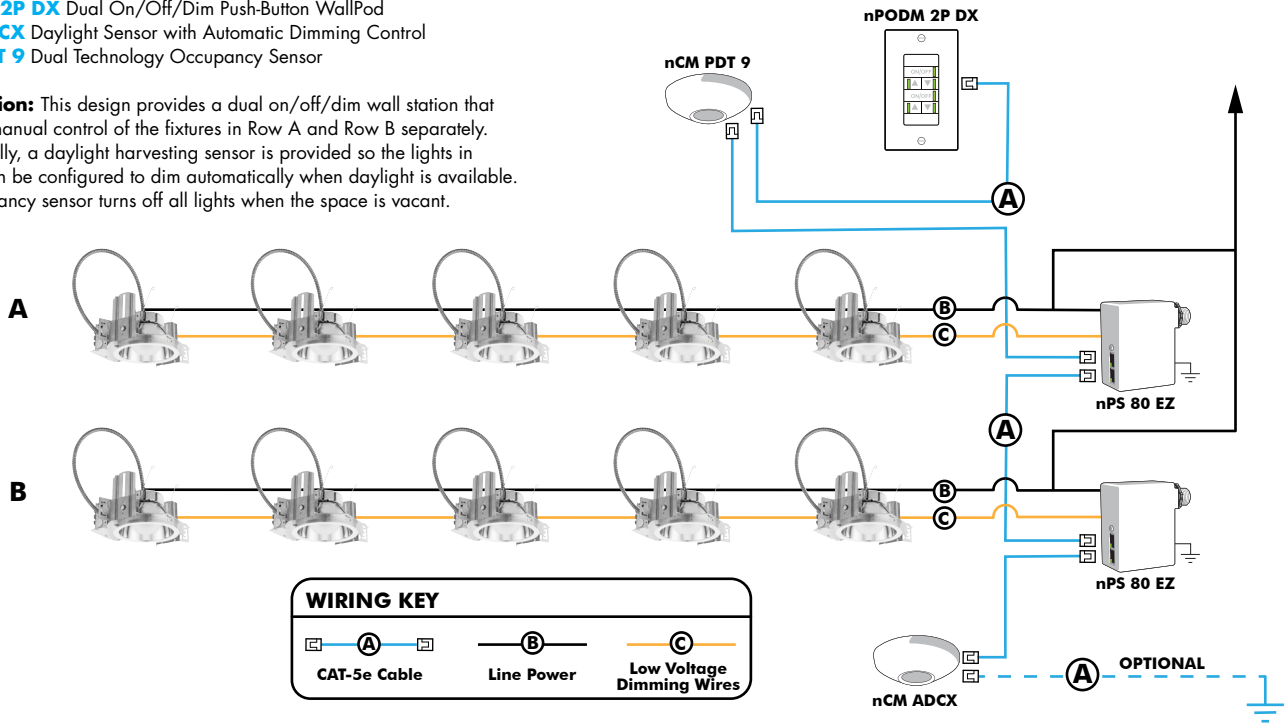
nPS 80 EZ Dimming/Control Pack (qty: 2 required)

nPODM 2P DX Dual On/Off/Dim Push-Button WallPod

nCM ADCX Daylight Sensor with Automatic Dimming Control

nCM PDT 9 Dual Technology Occupancy Sensor

Description: This design provides a dual on/off/dim wall station that enables manual control of the fixtures in Row A and Row B separately. Additionally, a daylight harvesting sensor is provided so the lights in Row B can be configured to dim automatically when daylight is available. An occupancy sensor turns off all lights when the space is vacant.



Choose Wall Controls

nLight offers multiple styles of wall controls - each with varying features and user experience.



Push-Button Wallpod

Traditional tactile buttons and LED user feedback



Graphic Wallpod

Full color touch screen provides a sophisticated look and feel

nLight® Wired Controls Accessories:

Order as separate catalog number. Visit www.acuitybrands.com/products/controls/nlight for complete listing of nLight controls.			
WallPod Stations	Model number	Occupancy sensors	Model Number
On/Off	nPODM (Color)	Small motion 360°, ceiling (PIR/dual Tech)	nCM 9 / nCM PDT 9
On/Off & Raise/Lower	nPOD DX (Color)	Large motion 360°, ceiling (PIR/dual tech)	nCM 10 / nCM PDT 10
Graphic Touchscreen	nPOD GFX (Color)	Wide View (PIR/dual tech)	nWV 16 / nWV PDT 16
Photocell controls	Model Number	Wall Switch w/ Raise/Lower (PIR/dual tech)	nWSX LV DX / nWSX PDT LV DX
Dimming	nCM ADCX	Cat-5 cables (plenum rated)	Model Number
		10', CAT5 10FT	CATS 10FT J1
		15', CAT5 15FT	CATS 15FT J1

nLight® AIR Control Accessories:

Order as separate catalog number. Visit www.acuitybrands.com/products/controls/nlightair.

Wall switches	Model number
On/Off single pole	rPODB [color]
On/Off two pole	rPODB 2P [color]
On/Off & raise/lower single pole	rPODB DX [color]
On/Off & raise/lower two pole	rPODB 2P DX [color]
On/Off & raise/lower single pole	rPODBZ DX WH ¹

Notes

- 1 Can only be ordered with the RES7Z zone control sensor version.

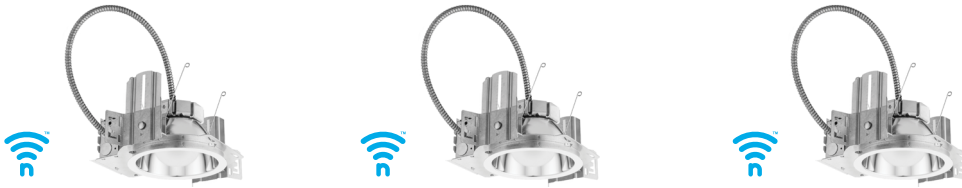
UL924 Sequence of Operation

The below information applies to all nLight AIR devices with an EM option.

- EM devices will remain at their high-end trim and ignore wireless lighting control commands, unless a normal-power-sensed (NPS) broadcast is received at least every 8 seconds.
- Using the CLAIRITY+ mobile app, EM devices must be associated with a group that includes a normal power sensing device to receive NPS broadcasts.
- Only non-emergency rPP20, rLSXR, rSBOR, rSDGR, and nLight AIR luminaires with version 3.4 or later firmware can provide normal power sensing for EM devices. See specification sheets for control devices and luminaires for more information on options that support normal power sensing.

nLight AIR

nLight AIR is the ideal solution for retrofit or new construction spaces where adding communication is cost prohibitive. The integrated nLight AIR rPP20 Power Pack is part of each Lithonia LDN Luminaire. These individually addressable controls offer the ultimate in flexibility during initial setup and for space repurposing.



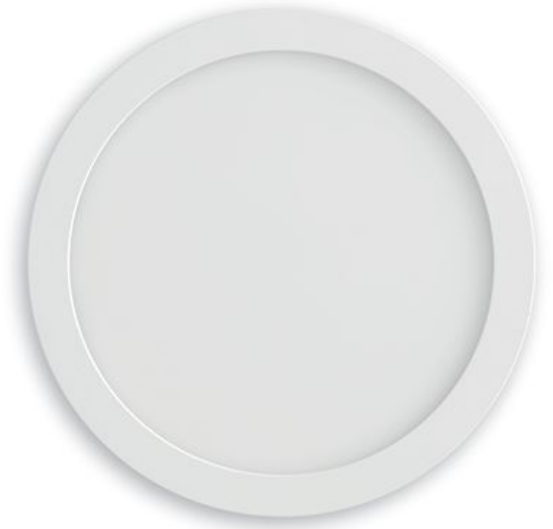
Simple as 1,2,3

1. Install the nLight® AIR fixtures with embedded smart sensor
2. Install the wireless battery-powered wall switch
3. With CLAIRITY app, pair the fixtures with the wall switch and if desired, customize the sensor settings for the desired outcome



7 in. 4000K, 900lm LED 277V Surface Mount Downlight - Round

- Low profile, surface mount – mounts flush onto ceiling
- Integrates seamlessly into most 4 in. junction boxes with included mounting plate and screws
- 90 CRI – renders illuminated colors with great accuracy
- ETL wet-rated – ideal for use in bathrooms and other wet locations
- JA8 certified – exceeds California Energy Commission standards
- 120-277V input voltage
- LED replacement for 75W incandescent downlights
- 4000K - cool white
- 0-10V Dimming
- Energy efficient, long-lasting LED – over 80% reduction in energy costs compared to incandescent downlights
- 50,000 hour rated lifetime
- 5-year limited warranty



Specifications	
Model	D7-L900-C40-SM-RD-V277
Part Number	70269
Color Temperature	4000K
Lumen Output	900lm
Wattage	15W
Replacement Equivalent	75W Incandescent equivalent
CRI	90
Efficacy	60lm/W
Beam Angle	100°
Dimmable	0-10V
Wet Rated?	Yes
Voltage	120-277V
Operating Temperature	-20°C to 40°C
Weight	16 oz.
Dimensions	7.17 x 1.63 x 7.17 in
Design life	50,000 Hours
Warranty	5-Year Limited Warranty
Energy Star Product Listing	D7-L900-C40-SM-RD-V277

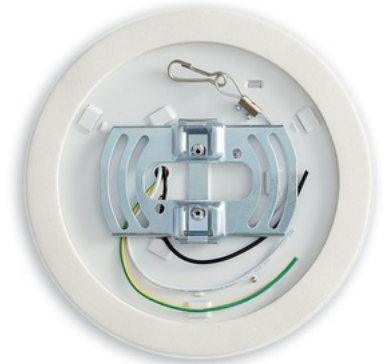
Certifications:



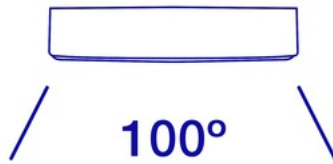
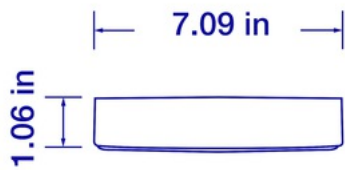
Intertek

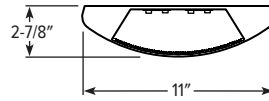
7 in. 4000K, 900lm LED 277V Surface Mount Downlight - Round

Additional Images:



Diagrams:





CATALOG #: _____

TYPE: _____

PROJECT: _____

FEATURES

- Ideal for schools, hallways, stairwells, dormitories, locker rooms, or vandal prone areas
- Heavy-duty marine grade aluminum housing, die-cast end caps, and extremely durable impact-resistant polycarbonate lens add strength and durability
- Tamper-resistant #8 snake eye screws provided to protect against vandals
- Optional occupancy sensor available for use in stairwells and low traffic areas
- Designed for surface, wall, pendant, or vandal-resistant corner mount
- ADA compliant in wall mount applications
- Features easy row mount capability with integral alignment pieces
- Multiple dimming protocols available
- Made Right Here® in the USA

ORDERING EXAMPLE: AVX - 4 - L100/835 - CPC - OPTIONS - DIM - UNV

ORDERING INFO

SERIES	LENGTH	LUMENS ^[1]	CRI	CCT	SHIELDING
AVX	2 2'	2'	8 80	27 2700K	CPC Clear, UV stabilized polycarbonate, .150" thick
	4 4'	L25 2,500lm	9 90 ^[3]	30 3000K	WPC White, UV stabilized polycarbonate, .150" thick
	8 8' ^[2]	L42 4,200lm		35 3500K	
		L42 4,200lm		40 4000K	
	4'	L36 3,600lm		50 5000K	
		L62 6,200lm			
	8'	L82 8,200lm			
		L100 10,000lm			
	8'	L72 7,200lm			
		L124 12,400lm			
		L164 16,400lm			
		L200 20,000lm			

SPECIFICATIONS

- HOUSING – Marine grade aluminum. Extruded housing with die-cast end caps.
- SHIELDING – UV stabilized polycarbonate lens, .150" thick with .040" matte white acrylic underlay to minimize pixelation.
- REFLECTIVE SURFACES – 92% minimum average reflective white powder coat on interior components.
- FINISH – Textured matte white polyester TGIC powder coat bonded to phosphate-free, multi-stage pretreated metal. All parts painted after fabrication to facilitate installation, increase efficiency, and inhibit corrosion.
- ELECTRICAL – High quality mid-power LED board. Rated for 50,000 hours at 70% lumen maintenance (L70). Listed for 25°C ambient operating temperature.
- MOUNTING – Surface (ceiling or wall) or suspended (hanging hardware required).
- LISTINGS – cETLus conforms to UL STD 1598. Certified to CAN/CSA STD C22.2 No. 250.0. Suitable for damp locations.
- WARRANTY – 5-year limited warranty, see hew.com/warranty.

OPTIONS ^[4]

- EM/10WRM** Remote mount 10-watt emergency battery ^[6]
- EM/10WLP** Low profile 10-watt emergency battery ^[7]
- C2_** Two circuit quick-connect wiring harness ^[8]
- (L_)** Additional lower lumen packages available. ^[9]
Example: 9,000 nominal lumens = AVX-4-L100/835-(L90).
- TPSN-8** #8, tamper-resistant (snake eyes) tool ^[10]
- AVX-4 CMB** 4', vandal-resistant corner mount ^[11]

DRIVER ^[5]

- DRV** Non-dimming driver
- DIM** Dimming driver

VOLTAGE

- 120** 120V
- 277** 277V
- UNV** 120-277V
- 347** 347V ^[16]

OCCUPANCY SENSORS ^[12]

- OCCLV OSF10-10W-___** Passive Infrared (PIR) sensor
- OCCWS FS-505-PP-___** Ultrasonic low voltage sensor with power pack

MOUNTING (EXAMPLE: AC(Y12)/D48) ^[13]

ADJUSTABLE AIRCRAFT CABLE ^[14]

Prefix	Type	Length
AC(Y12)/	D 1" grid & hardpan	24 24"
	N 9/16" grid	48 48"
	S Slot grid	96 96"

PENDANT MOUNT ^[15]

- SWS(AV)12** Pendant swivel stem mount with 12" stem
- SS(AV)12** Pendant stem mount with 12" stem

NOTES

- Nominal lumen output based on 3500 CCT and CPC shielding. Actual lumens may vary +/-5%. See page 2 for FIXTURE PERFORMANCE DATA. Additional lumen packages available, see options.
- Two 4' units end-to-end.
- Extended lead times may apply. Consult factory for availability.
- See page 3 for FINISH OPTIONS.
- See page 2 for ADDITIONAL DRIVER OPTIONS.
- 2' only
- 4' and 8' only.
- See page 3 for QUICK-CONNECT OPTIONS.
- Specify in increments of 100 nominal lumens. Option must be specified with next higher lumen package.
- Tamper-resistant (TPSN-8) tool must be ordered separately. Please specify quantity required per project.
- See page 3 for CORNER MOUNT DETAILS.
- Must specify 120V or 277V. Factory-installed. Not available with EM battery in 2' units. See page 2 for OCCUPANCY SENSOR DETAILS.
- Required with suspended mount fixtures.
- Units specified with ACF(Y12)___ require cord. See page 3 for CORD FOR SUSPENDED PRODUCT.
- Two stem sets required for 2' and 4' fixtures; three stem sets required for 8'. One additional stem set required for each 4' length when row mounted.
- Not available with EM drivers.



FIXTURE PERFORMANCE DATA

	LED PACKAGE	DELIVERED LUMENS		WATTAGE	EFFICACY (lm/W)	
		CLEAR (CPC)	WHITE (WPC)		CLEAR (CPC)	WHITE (WPC)
2'	L25	2420	1670	21	113	78
	L42	4279	2953	37	114	79
	L36	3677	2537	31	118	81
4'	L62	6253	4315	57	109	75
	L82	8302	5728	71	117	81
	L100	9893	6750	88	112	77
	L72	7221	4982	61	119	82
8'	L124	12507	8630	115	109	75
	L164	16603	11456	141	117	81
	L200	20153	13906	177	114	79

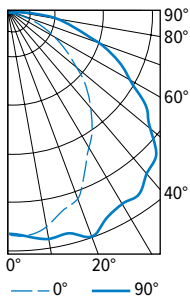
MULTIPLIER TABLE

	COLOR TEMPERATURE	
	CCT	CONVERSION FACTOR
80 CRI	2700K	0.97
	3000K	0.99
	3500K	1.00
	4000K	1.03
	5000K	1.06
90 CRI	2700K	0.80
	3000K	0.82
	3500K	0.83
	4000K	0.86
	5000K	0.89

- Photometrics tested in accordance with IESNA LM-79. Results shown are based on 25°C ambient temperature.
- Wattage shown is average for 120V through 277V input.
- Results based on CPC shielding, 3500K, 80 CRI, actual lumens may vary +/-5%
- Use multiplier table to calculate additional options.

PHOTOMETRY

AVX-4-L62/835-CPC Total Luminaire Output: 6253 lumens; 110 Watts | Efficacy: 57 lm/W | 80 CRI; 3500K CCT



VERTICAL ANGLE	HORIZONTAL ANGLE			ZONAL LUMENS
	0°	45°	90°	
0	2043	2043	2043	
5	2055	2067	2083	196
15	1887	2003	2110	569
25	1616	1862	2105	861
35	1326	1721	2053	1048
45	985	1516	1882	1104
55	663	1185	1508	987
65	395	855	1110	765
75	149	480	662	464
85	24	199	337	205
90	6	94	189	

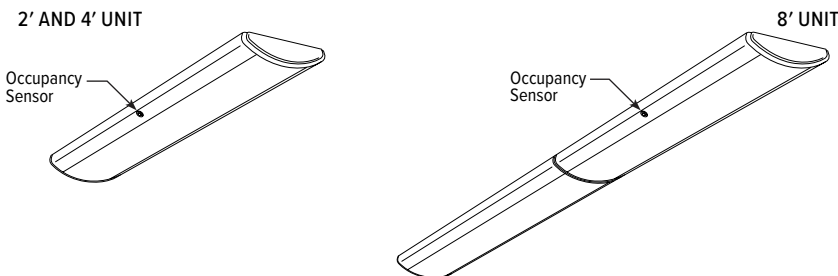
LUMEN SUMMARY	ZONE	LUMENS	% FIXTURE
	0 - 30	1627	26
0 - 40	2676	43	
0 - 60	4766	76	
0 - 90	6201	99	
0 - 180	6253	100	

ADDITIONAL DRIVER OPTIONS

Note: Lumen restrictions apply, consult product builder at hew.com/product-builder.

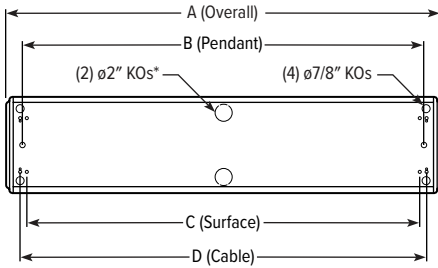
CATALOG NUMBER	DESCRIPTION
DRV	Driver prewired for non-dimming applications
DIM	Dimming driver prewired for 0-10V low voltage applications
DIM1	1% dimming driver prewired for 0-10V low voltage applications
DIM LINE	Line voltage dimming driver (Must specify 120V or 277V only)
SD40	40% step-dimming driver
SD50	50% step-dimming driver
DALI	DALI dimming driver
LTE LINE	Lutron Hi-lume 1% 2-wire dimming driver forward phase line voltage controls (120V only)
LDE1	Lutron Hi-lume 1% EcoSystem dimming LED driver
LDE5	Lutron 5-Series 5% EcoSystem dimming LED driver
ELDO SOLOB	EldoLED Solodrive, 0.1% dimming driver for 0-10V controls
ELDO SOLOB DALI	EldoLED Solodrive, 0.1% dimming driver for DALI controls
ELDO ECO1	EldoLED Ecodrive, 1% dimming driver for 0-10V controls
ELDO ECO1 DALI	EldoLED Ecodrive, 1% dimming driver for DALI controls

OCCUPANCY SENSOR DETAILS



FIXTURE DETAILS

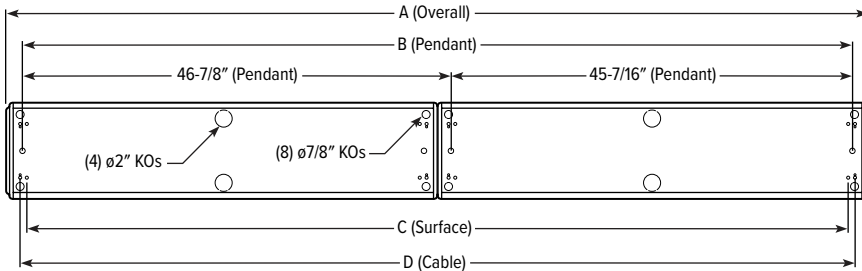
BACK VIEW – 2' AND 4' UNITS



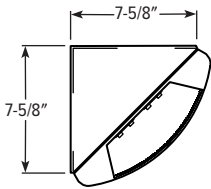
DIMENSION TYPES	ACTUAL LENGTHS		
	2' UNIT	4' UNIT	8' UNIT
A (Overall)	25-3/4"	48-1/16"	95-9/16"
B (Pendant)	23-1/4"	45-7/16"	92-5/16"
C (Surface)	21-1/2"	44"	91-1/2"
D (Cable)	23"	46"	93-1/2"

* 2" KOs not available in 2' fixture length with EM option.

BACK VIEW – 8' UNITS



CORNER MOUNT DETAILS

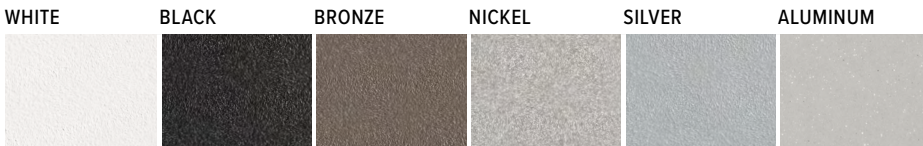


CORD FOR SUSPENDED PRODUCT

Units specified with ACF(Y12)_ require cord. Please specify cord type using ordering information below.

EXAMPLE: S 24 3 8 / W				
CORD TYPE	LENGTH	# OF COND.	WIRE SIZE	COLOR
S	24 24"	3	8	/W White
	48 48"	4		/B Black
	96 96"	5		

FINISH OPTIONS



For custom color, please specify RAL code or a manufacturer code with description. All custom colors other than RAL require two sample swatches, minimum 1" square.

QUICK-CONNECT OPTIONS

Note: Quick connect wiring required for row mounting. Length restrictions may apply, consult product builder at hew.com/product-builder.

DESIGNATION	NUMBER OF WIRES (EXCLUDING GROUND)	WIRE COLORS	WIRE COLOR/POWER SUPPLY FACTORY CONNECTIONS	TYPICAL USE
C2B	3	White, Black, Red	White, Black	Alternating Circuits
C2BR	3	White, Black, Red	White, Black, Red	ON/OFF Switching (DRV) or Line Voltage dimming (DIM LINE) when equipped w/EM Power Supply (EM/10W)
C2R	3	White, Black, Red	White, Red	Alternating Circuits
C2BW/RV	5	White, Black, Red, Gray, Green	White, Black/Red, Gray	0-10V 4-wire Low Voltage Dimming (DIM)



FEATURES & SPECIFICATIONS

INTENDED USE — The CLX is a linear lighting solution that is available in multiple lengths, lumen packages and distributions. Designed for versatility, the CLX can address virtually any indoor lighting need. The CLX is also offered in standard and high efficacy configurations and capable of being continuous row mounted or installed as a stand-alone fixture. Ideal for uplight and downlight in commercial, retail, manufacturing, warehouse, and display applications. **Certain airborne contaminants can diminish the integrity of acrylic and/or polycarbonate. Click here for Acrylic-Polycarbonate Compatibility table for suitable uses.**

CONSTRUCTION — Channel and cover are formed from code-gauge cold-rolled steel. Housing and lens endcaps are injection molded plastic to provide a more architectural look and feel. The endcaps come standard with a 7/8" knock out for continuous mounting but can be ordered without.

Finish: Paint options include high-gloss, baked white polyester (WH), galvanized (GALV), matte black (MB) and smoke gray (SKGY). Five-stage iron phosphate pre-treatment ensures superior paint adhesion and rust resistance.

OPTICS — Offered with acrylic lens and less lens configurations. Provides a choice of optical distributions including, wide, narrow, and aisle.

Models with wide diffuse lens provide up to 12% uplight. Please check the IES file for specific uplight value.

ELECTRICAL — Utilizes high-output LEDs integrated on a two-layer circuit board, ensuring cool-running operation. Optional internal pluggable wiring harness for reduced labor cost in row mounting applications. (See PLR ordering information on page 14.) Electronic LED driver is multi-volt input and 0-10V dimming standard (see Operational Data on page 6 for actual wattage consumption). This fixture is designed to withstand a maximum line surge of 2.5kV at 0.75kA combination wave for indoor locations, for applications requiring higher level of protection additional surge protection must be provided.

L70>100,000 hours at 25°C.

LEDs provide nominal 80 CRI or 90 CRI at 3000 K, 3500 K, 4000 K, or 5000 K.

Lumen output up to 2,500 lumens per foot.

INSTALLATION — Fixture may be ceiling or wall mounted (with or without THCLX hanger or angle mounted with CLXANGBRT), pendant or stem mounted with appropriate mounting options.

WARNING — Removing the lens and opening the fixture during installation exposes the LEDs, putting them at risk for damage.

If you plan to surface mount the fixture, we recommend using the THCLX. This eliminates the need to open the fixture.

If you plan to continuous row mount, we recommend using the PLR wiring harness option. This eliminates the need to open the fixture.

Damage to the LEDs caused during installation will not be covered under the warranty.

LISTINGS — CSA certified to US and Canadian safety standards. For use in damp locations between -4°F (-20°C) and 104°F (40°C). Optional High Ambient (HA) ranging to 122°F(50°C) available on certain lumen packages (See ambient temperature chart for additional information).

DesignLights Consortium® (DLC) Premium qualified product and DLC qualified product. Not all versions of this product may be DLC Premium qualified or DLC qualified. Please check the DLC Qualified Products List at www.designlights.org/QPL to confirm which versions are qualified.

BUY AMERICAN ACT — Product with the BAA option is assembled in the USA and meets the Buy America(n) government procurement requirements under FAR, DFARS and DOT regulations. Please refer to www.acuitybrands.com/buy-american for additional information.

WARRANTY — 5-year limited warranty. This is the only warranty provided and no other statements in this specification sheet create any warranty of any kind. All other express and implied warranties are disclaimed. Complete warranty terms located at: www.acuitybrands.com/support/warranty/terms-and-conditions

Note: Actual performance may differ as a result of end-user environment and application.

All values are design or typical values, measured under laboratory conditions at 25 °C.

Specifications subject to change without notice.

Stock configurations are offered for shorter lead times:

Stock Part Number	UPC
CLX L48 3000LM SEF FDL MVOLT GZ10 40K 80CRI WH	00191723525816
CLX L48 3000LM SEF FDL MVOLT GZ10 50K 80CRI WH	00191723525885
CLX L48 5000LM SEF FDL MVOLT GZ10 40K 80CRI WH	00191723525939
CLX L48 5000LM SEF FDL MVOLT GZ10 50K 80CRI WH	00191723525908
CLX L96 6000LM SEF FDL MVOLT GZ10 40K 80CRI WH	00191723525861
CLX L96 6000LM SEF FDL MVOLT GZ10 50K 80CRI WH	00191723525915
CLX L96 10000LM SEF FDL MVOLT GZ10 40K 80CRI WH	00191723525922
CLX L96 10000LM SEF FDL MVOLT GZ10 50K 80CRI WH	00191723525830
CLX L48 3000LM SEF RDL MVOLT GZ10 40K 80CRI WH	00191723525960
CLX L48 3000LM SEF RDL MVOLT GZ10 50K 80CRI WH	00191723525892
CLX L48 5000LM SEF RDL MVOLT GZ10 40K 80CRI WH	00191723525854
CLX L48 5000LM SEF RDL MVOLT GZ10 50K 80CRI WH	00191723525946
CLX L96 6000LM SEF RDL MVOLT GZ10 40K 80CRI WH	00191723525878
CLX L96 6000LM SEF RDL MVOLT GZ10 50K 80CRI WH	00191723525823
CLX L96 10000LM SEF RDL MVOLT GZ10 40K 80CRI WH	00191723525953
CLX L96 10000LM SEF RDL MVOLT GZ10 50K 80CRI WH	00191723525847

Catalog Number
Notes
Type

LED Linear

CLX

24", 36", 48" and 96" Lengths

Flat Diffuse Lens



Round Diffuse Lens



Wide Diffuse Lens



CLX with Reflector



Capable Luminaire

This item is an A+ capable luminaire, which has been designed and tested to provide consistent color appearance and out-of-the-box control compatibility with simple commissioning.

- All configurations of this luminaire meet the Acuity Brands' specification for chromatic consistency
- This luminaire is part of an A+ Certified solution for nLight® control networks marked by a shaded background*

To learn more about A+, visit www.acuitybrands.com/aplus.

*See ordering tree for details

CLX LED Linear

ORDERING INFORMATION

Lead times will vary depending on options selected. Consult with your sales representative.

Example: CLX L48 5000LM SEF WDL MVOLT GZ10 40K 80CRI WH

Series	Length	Nominal lumens	Performance package	Louvers	Lens
CLX LED linear	L24 24" ‡	1500LM 1,500 lumens	SEF Standard efficiency ‡	(Blank) Less louver	L/Lens Less lens
		2000LM 2,000 lumens	HEF Premium efficiency ‡	SBLW Straight blade louver, white ‡	FDL Flat diffuse ‡
		2500LM 2,500 lumens		SBLMB Straight blade louver, matte black ‡	RDL Round diffuse ‡
		3500LM 3,500 lumens		SBLGV Straight blade louver, galvanized ‡	WDL Wide diffuse ‡
		4500LM 4,500 lumens		SBSLKG Straight blade louver, smoke gray ‡	
		5000LM 5,000 lumens ‡			
	L36 36" ‡	2250LM 2,250 lumens			
		3000LM 3,000 lumens			
		3750LM 3,750 lumens			
		5250LM 5,250 lumens			
		6750LM 6,750 lumens			
		7500LM 7,500 lumens ‡			
	L48 48"	3000LM 3,000 lumens			
		4000LM 4,000 lumens			
		5000LM 5,000 lumens			
		7000LM 7,000 lumens ‡			
9000LM 9,000 lumens ‡					
10000LM 10,000 lumens ‡					
L96 96"	6000LM 6,000 lumens				
	8000LM 8,000 lumens				
	10000LM 10,000 lumens				
	14000LM 14,000 lumens ‡				
	18000LM 18,000 lumens ‡				
	20000LM 20,000 lumens ‡				

Distribution	Voltage	Driver ‡	Glare Reflector	Color temperature	Coloring rendering index	
(Blank) General	MVOLT 120-277V ‡	277 277V	GZ1 Generic 0-10V, dims to 1% ‡	(blank) No reflectors	30K 3000 K	80CRI 80 CRI
ND Narrow ‡	120 120V	347 347V ‡	GZ10 Generic 0-10V, dims to 10% ‡	LUGR Reflectors for additional glare reduction ‡	35K 3500 K	90CRI 90 CRI
WD Wide ‡	208 208V ‡	480 480V ‡	EZ1 eldoLED 0-10V, dims to 1% ‡		40K 4000 K	
AD2 Aisle, 24° off center ‡	240 240V ‡				50K 5000 K	

Options	Finish
<p>PS1050 Emergency battery pack, 10W, CA Title 20 Noncompliant ‡</p> <p>E10WLCP Emergency battery pack, 10W Linear Constant Power, Certified in CA Title 20 MAEDBS ‡</p> <p>BGTD Generator transfer device, not available with PS1050 ‡</p> <p>OCS 5', 18/3 Reloc selectable One Pass cable (fixture will bear dry location label) ‡</p> <p>HA High ambient, for use in ambient temperatures up to 50°C ‡</p> <p>EPNKO Decorative endplate, no knock out ‡</p> <p>OUTCTR Wiring leads pulled through back center of fixture ‡</p> <p>OUTEND Wiring leads pulled through end of fixture ‡</p> <p>Cord Sets:</p> <p>CS1W 6' Staight blade plug, 120V ‡</p> <p>CS3W NEMA twist-lock plug, 120V ‡</p> <p>CS7W Staight blade plug, 277V ‡</p> <p>CS11W NEMA twist-lock plug, 277V ‡</p> <p>CS25W NEMA twist-lock plug, 347V ‡</p> <p>CS97W NEMA twist-lock plug, 480V ‡</p> <p>CS93W 600V SE00W white cord, no plug (no voltage required)</p> <p>CS6WG16STOWD5D 6' white cord, 16/5, no plug, includes low voltage dimming wires (no voltage required) ‡</p>	<p>WH White</p> <p>GALVW Galvanized with white lens end caps</p> <p>GALVB Galvanized with black lens end caps</p> <p>MB Matte black</p> <p>SKGYW Smoke gray with white lens end caps</p> <p>SKGYB Smoke gray with black lens end caps</p>
<p>PLR___ Plug-in wiring, see page 14 for ordering information</p> <p>PLR1LVG Plug-in wiring, low voltage dimming ‡</p> <p>RRL___ RELOC®-ready luminaire. See page 14 for ordering information</p> <p>SPD Surge protection device, provides up to 6kV protection ‡</p> <p>BAA Buy America(n) Act Compliant</p> <p>nLight® Wireless: ‡</p> <p>NLTAIR2 RES7 nLight® Generation 2 enabled PIR integral occupancy sensor with automatic dimming photocell</p> <p>NLTAIR2 RES7PDT nLight AIR Generation 2 enabled dual technology integral occupancy sensor with automatic dimming photocell</p> <p>NLTAIR2 RIO No sensor control</p>	<p>nLight® Wired: ‡</p> <p>N100 nLight® without lumen management</p> <p>N100EMG nLight® without lumen management For use with generator supply EM power ‡</p> <p>NES7 nLight® nES 7 PIR integral occupancy sensor ‡</p> <p>NESPDT7 nLight® nES PDT 7 dual technology integral occupancy control ‡</p> <p>NES7ADCX nLight® nES 7 ADCX PIR integral occupancy sensor with automatic dimming photocell ‡</p> <p>NESPDT7ADCX nLight® nES PDT 7 dual technology integral occupancy sensor with automatic dimming photocell ‡</p> <p>Individual controls: ‡</p> <p>MSD7 PIR integral occupancy sensor</p> <p>MSDPDT7 PDT 7 dual technology integral occupancy control</p> <p>MSD7ADC PIR integral occupancy sensor with automatic dimming control photocell</p> <p>MSDPDT7ADC PDT integral occupancy sensor with automatic dimming control photocell</p>

See Accessories and footnotes on next page

Accessories: Order as separate catalog number.			
Mounting:		THCLX ___	Tong hanger (Must specify color) (one pair) ‡
ZACVH M100	Adjustable 10' aircraft cable with Y hanger (1 pair)	CLXANGBKT ____	Angle bracket, (Must specify color) (one pair) ‡
ZAC120	One adjustable aircraft cable with canopy 120" ‡	HC36 M12	Hanger chain, 36" (1 pair)
		Reflectors:	
ZACFP120	One adjustable aircraft cable with feed (3 conductor) and canopy, 120" ‡	CLXRW24 ___	Wide decorative 24" reflector, (Must specify color) ‡
ZACFPD120	One adjustable aircraft cable with feed (5 conductor) and canopy 120" ‡	CLXRW36 ___	Wide decorative 36" reflector, (Must specify color) ‡
ZAC240	One adjustable aircraft cable with canopy 240" ‡	CLXRW48 ___	Wide decorative 48" reflector, (Must specify color) ‡
ZACFP240	One adjustable aircraft cable with feed (3 conductor) and canopy, 240" ‡	CLXRW96 ___	Two wide decorative 48" reflectors, (Must specify color) ‡
ZACFPD240	One adjustable aircraft cable with feed (5 conductor) and canopy 240" ‡	CLXRWU24 ___	Wide decorative 24" reflector with uplight, (Must specify color) ‡
SQ_	Swivel stem hanger (specify length in 2" increments up to 48") ‡	CLXRWU36 ___	Wide decorative 36" reflector with uplight, (Must specify color) ‡
		CLXRWU48 ___	Wide decorative 48" reflector with uplight, (Must specify color) ‡
		CLXRWU96 ___	Two wide decorative 48" reflectors with uplight, (Must specify color) ‡
		Wireguards:	
		CLXRN24	Narrow 24" reflector, (Must specify color) ‡
		CLXRN36	Narrow 36" reflector, (Must specify color) ‡
		CLXRN48	Narrow 48" reflector, (Must specify color) ‡
		CLXRN96 ___	Two narrow 48" reflectors, (Must specify color) ‡
		WGCLX24 ___	24" wireguard, (Must specify color) ‡
		WGCLX36 ___	36" wireguard, (Must specify color) ‡
		WGCLX48 ___	48" wireguard, XX, (Must specify color) 96" fixture requires two ‡

‡ Option Value Ordering Restrictions	
Option value	Restriction
347V, 480V	Voltage selected utilizes a step-down transformer. Not available with L24 when ordered with N100. Not available with PS1050, E10WLCP or BGTD option.
BGTD	Not available with MVOLT, 208V or 240V. Not available with HA. Available with L48 or L96 only. 20 Not available with PS1050 or E10WLCP options. Not available with 208 or 240V. Not available Individual controls, nLight Wired, or nLight Wireless options.
CLXRN REFLECTORS	For use with L/LENS fixtures only. L24 reflector is 22.75", L36 reflector is 34.20", L48 reflector is 46.85", L96 comes with two L48 reflectors.
CLXRW REFLECTORS	L24 reflector is 22.65", L36 reflector is 34.01", L48 reflector is 46.80", L96 comes with two L48 reflectors.
CS1W, CS3W, CS7W, CS11W, CS25W, CS97W	Not available with BGTD option. Must specify voltage.
CS6WG16STOWD5D	Not available with Individual controls, nLight wired networking, nLight wireless networking, nLight wireless zone control options.
DRIVER	When continuous row mounting, fixtures must all have the same driver selection.
E10WLCP	Not available with OUTCR, Not available with HA. Not available with MVOLT, Must specify voltage. Not available with BGTD option. Requires SPD option. Not available with L24 or L36. Not available with L48 in combination with N100.
EPNKO	Not available OUTEND.
EZ1	Not available with HA option.
FDL, RDL, WDL	Only available with general distribution. Not available with CLXRN accessories.
GZ1, GZ10	Not available with Individual controls, nLight wired networking, nLight wireless networking, nLight wireless zone control options.
HA	Not available with L24, L26, Not available with BGTD option. Not available with EZ1. Only available with L48 3000/4000/5000LM and L96 6000/8000/10000LM.
HEF	not available with L48 3000LM and L96 6000LM
LUGR	Not available with L36 length. Only available with WH finish. Not compatible with THCLX Hanger or wireguard accessories. LUGR option required for some DLC premium qualifications - Please check the DLC Qualified Products List to determine if LUGR option is necessary to meet requirement. If mounting in continuous rows, ensure all models ordered with LUGR option if required on any configuration to ensure rows match in form factor. LUGR reflectors ship in standard fixture carton and are not sold as separate accessory - this option MUST be specified as part of the CLX model number.
MSD7, MSDPD7, MSD7ADC, MSDPD7ADC	Not available with any other control option. Requires EZ1. Sensor housing will be the same color as lens end caps.
N100, N100EMG	nLight EMG option requires a connection to existing nLight network. Power is provided from separate N100 enabled fixture.
ND, WD, AD2	Not available with CLXRN accessories. Available L/LENS only.
NES7, NESPD7, NES7ADCX, NESPD7ADCX	Not available with any other control option. Requires EZ1. Requires N100 or N100EMG option, N100EMG with NES7 requires RFA. Sensor housing will be the same color as lens end caps.
NLTAIR2 RES7, NLTAIR2 RES7PDT, NLTAIR2 RIO	Not available with 5000LM, 7500LM, 10000LM, 14000LM, 18000LM, 20000LM. Sensor housing will be the same color as lens end caps.
OCS	Must specify voltage.
OUTCR	Not available with L24, Not available with PLR options.
OUTEND	Not available with PLR options.
PLR1LVG	Not available with Individual controls, nLight Wired, or nLight Wireless options. Refer to page 14 for more PLR details.
PS1050	Not available with MVOLT, Must specify voltage. Not available with BGTD option. Requires SPD option. Not available with L24 or L36. Not available with L48 in combination with N100. Not available with HA.
SBLW, SBLMB, SBLGV, SBLSKGY	When ordered with L24 only available with 1500LM or 2000LM in combination with GZ10 driver. Not for use with THCLX, CLXANGBKT, CLX reflectors or WGCLX accessories. Not available with RDL lens options.
SEF	Not available with EZ1 when ordered with L24 with 5000LM or L36 with 7500LM.
SPD	Required with PS1050, E10WLCP, BGTD, XAD, or XAD924.
THCLX ____, CLXANGBKT ____	Not available with louver, wireguards, wide reflectors. THCLX ____ not available with LUGR.
WIREGUARDS	Not for use with LUGR option or CLX wide reflector accessories.
ZAC120, ZACFP120, ZACFPD120, ZAC240, ZACFP240, ZAPFPD240, SQ	Ships standard as white

OPTIONS AND ACCESSORIES



Narrow reflector

Ships separately from fixture.

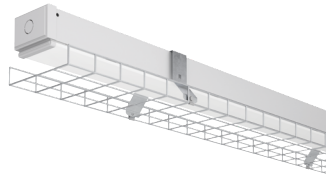
Order as:
CLXRN24 ___
CLXRN36 ___
CLXRN48 ___
CLXRN96 ___



Wide decorative reflector

Ships separately from fixture.

Order as:
CLXRW24 ___
CLXRW36 ___
CLXRW48 ___
CLXRW96 ___



Wireguard

Ships separately from fixture:
96" fixture requires two WGCLX48.

Order as:
WGCLX24 ___
WGCLX36 ___
WGCLX48 ___



LUGR glare reflector

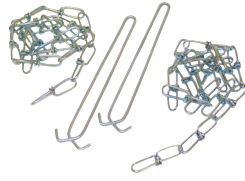
NOT available as accessory - must be specified as part of the fixture nomenclature. See ordering notes on page 3.



Aircraft Cable with Canopy

Available in 120" or 240"

Order as:
ZAC120 ___
ZAC240 ___



HANGER CHAIN

36" chain with Y hanger. ships as a pair

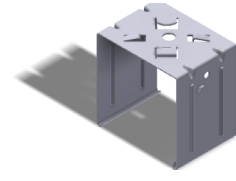
Order as:
HC36 ___



ZACVH HANGER

10' Aircraft cable with Y hanger.

Order as:
ZACVH ___



Tong hanger

Ships as a pair

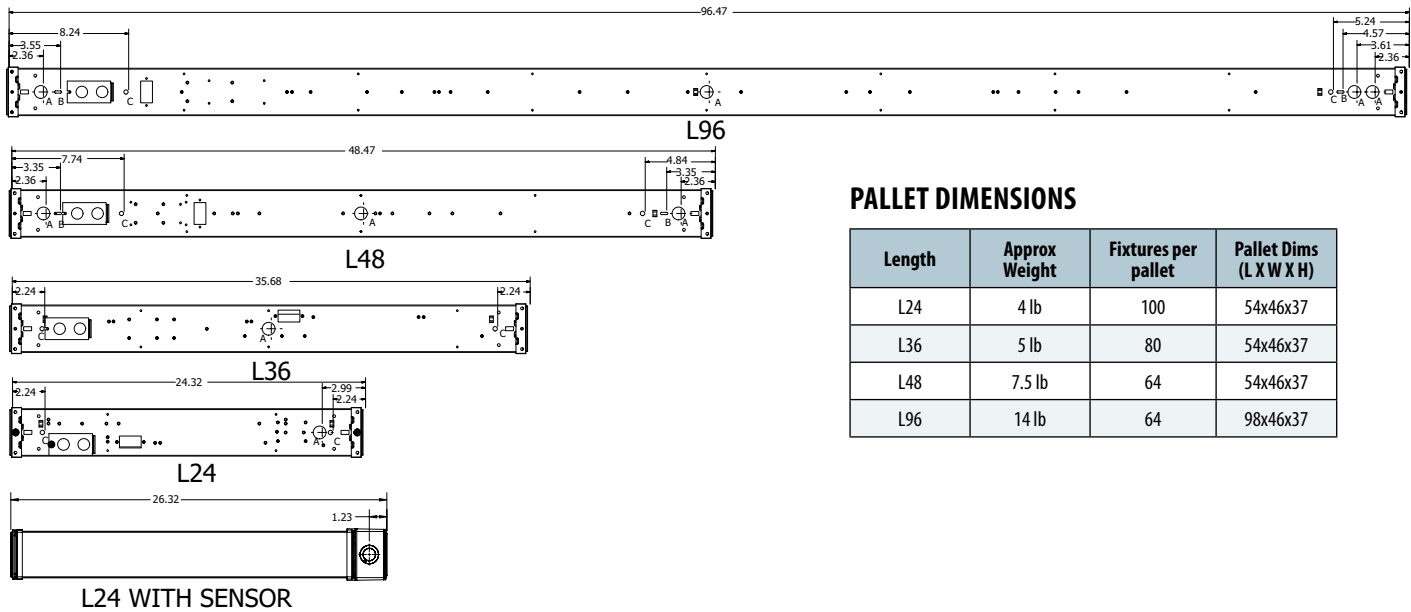
Order As:
THCLX ___

DIMENSIONS

All dimensions are in inches (centimeters) unless otherwise indicated.
Dimensions may vary with options or accessories.

INTEGRATED SENSOR ADDS 2.0 INCHES TO STANDALONE FIXTURE LENGTH
HOUSING END CAP ADDS 0.236 INCHES TO FIXTURE LENGTH PER SIDE. DIMENSIONS BELOW INCLUDE ENDCAPS.

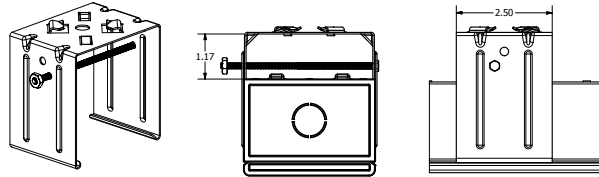
A - 7/8" KNOCK OUT
B - 0.5" by 0.16" SLOT
C - 0.3" DIA HOLE



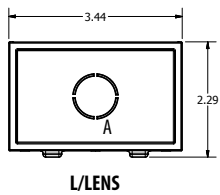
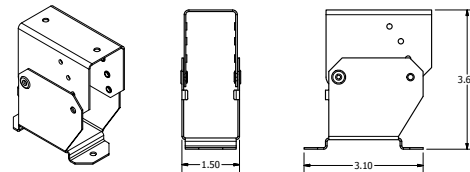
PALLET DIMENSIONS

Length	Approx Weight	Fixtures per pallet	Pallet Dims (L X W X H)
L24	4 lb	100	54x46x37
L36	5 lb	80	54x46x37
L48	7.5 lb	64	54x46x37
L96	14 lb	64	98x46x37

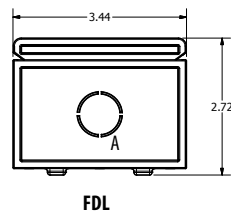
THCLX - SHIPS TWO PER ORDER,
UTILIZES A #8 HEX HEAD SCREW AND NUT
FIXTURE SITS 1.3 INCHES FROM STRUCTURE WHEN MOUNTED



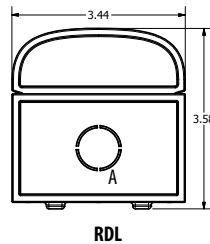
CLXANGBKT - SHIPS TWO PER ORDER
HOLES TO MOUNTING STRUCTURE ARE 0.175" DIA, 2.5" APART
FIXTURE SITS APPROXIMATELY 3.5" FROM STRUCTURE
WHEN MOUNTED HORIZONTAL TO STRUCTURE



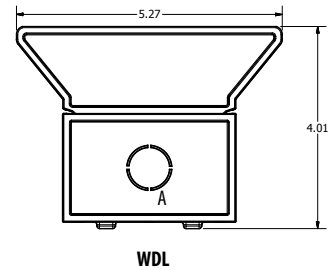
L/LENS



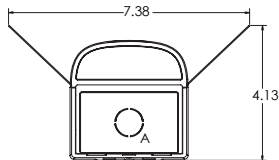
FDL



RDL



WDL



LUGR Reflector Option
- applies to all lens types

PHOTOMETRICS

See www.lithonia.com.

POWER SENTRY EMERGENCY BATTERY PACKS

		SEF Emergency Lumens	HEF Emergency Lumens
PS1050	Factory installable	1400	1500
E10WLCP	Factory installable	1400	1500
PS1555LCP	Field installable, remote mount only	2000	2100

Note: For emergency lumen output of specific model, please consult factory. One board will be illuminated during emergency operation.

CLX CHARACTERISTICS

Nominal Lumen Package	Length	Wattage								Length	Width	Depth	Comparable Light Source
		Standard Efficiency				High Efficiency							
		120V	277V	347V	480V	120V	277V	347V	480V				
Dimensions are shown in inches													
2500LM	24"	18.4	18.4	24.0	24.0	17.4	17.4	23.1	23.1	24	3.5	3.75	1-lamp 32W T8, 1-lamp 54W T5HO, 50W HID
5000LM	24"	41.5	41.5	47.4	47.4	38.1	38.1	44.1	44.1	24	3.5	3.75	2-lamp 32W T8, 1-lamp 54W T5HO, 70W HID
3750LM	36"	26.5	26.5	32.1	32.1	25.1	25.1	30.7	30.7	36	3.5	3.75	1-lamp 32W T8, 1-lamp 54W T5HO, 50W HID
7500LM	36"	62.6	62.6	68.6	68.6	54.0	54.0	59.7	59.7	36	3.5	3.75	2-lamp 32W T8, 1-lamp 54W T5HO, 70W HID
5000LM	48"	31.8	31.8	37.2	37.2	31.8	31.8	37.6	37.6	48	3.5	3.75	2-lamp 32W T8, 1-lamp 54W T5HO, 70W HID
10000LM	48"	70.7	70.7	76.2	76.2	65.3	65.3	70.8	70.8	48	3.5	3.75	3-lamp 32W T8, 2-lamp 54W T5HO, 100W HID
10000LM	96"	63.7	63.7	69.0	69.0	63.7	63.7	69.5	69.5	96	3.5	3.75	3-lamp 32W T8, 2-lamp 54W T5HO, 100W HID
20000LM	96"	141.3	141.3	146.8	146.8	130.5	130.5	136.1	136.1	96	3.5	3.75	6-lamp 32W T8, 4-lamp 54W T5HO, 200W HID

RRL - RELOC®-Ready Luminaire

- RRL connectors can be used with Quick-Flex®, System 820 and OnePass® systems.
- Load side of connector factory installed to luminaire.
- 4-pole mating connector with push-in terminations allows for simple installation.
- Touch-safe design on both halves meets UL/CSA requirement.
- Wiping contact design allows safe disconnect under load.



ORDERING INFORMATION

Lead times will vary depending on options selected. Consult with your sales representative.

Example: RRLA

Series	Wiring instructions
RRL RELOC®-ready luminaire	A Hot conductor wired to position #1 (phase A) B Hot conductor wired to position #2 (phase B) C Hot conductor wired to position #3 (phase C) ¹

Compatible RELOC® Cables for Industrial Luminaires (ordered and shipped separately)



Notes

¹ C, ABE, and C12S options are not used with Quick-Flex QFC, QSFC, OPT, and QD.

PLUG-IN WIRING INFORMATION

Advanced plug-in system with two-circuit capability. Available on industrial and strip products and a variety of architectural products mounted in continuous rows. PLR22 (2-circuit) and crossover harness switches hot circuit serving next fixture in row. Reduces fixture types on job for alternating circuit applications (see example below).

Easy one-step installation, saves up to 35% on labor costs. Expanded switching flexibility helps save energy.

Rows can be 50% longer with two-circuit systems. Polarized, lock-together nylon connectors prevent miswiring in the field. #12 THHN conductor, rated 600V, 90°C. White neutral wire included. Grounding accomplished by fixture in-row connectors.

CSA certified systems available with up to 2 circuits. G ground required.

Not for use with dedicated emergency circuits.

Note: Specifications subject to change without notice.



Wiring

PLR

Advanced 1 or 2-Circuit Plug-In

ORDERING INFORMATION

Lead times will vary depending on options selected. Consult with your sales representative.

Series	Number of hot wires	Branch circuits	Dimming	Ground
PLR	(blank) Not required for PLR22	<u>Circuits to which driver is connected</u>	LV Low-voltage dimming	G Ground (required)
PLR22	1 Black 2 Black and red	(blank) Not required for PLR22 A Black wire B Red wire		
		Battery charging circuit (must be unswitched) (blank) No battery charging circuit ELA Battery pack wired to black wire ELB Battery pack wired to red wire		

Typical Applications

- Multiple-circuit and single-circuit for longer continuous rows
- Multiple-circuit with alternating fixtures on separate circuits and 2-circuit PLR22
- Multiple circuit with night-lights located along row as desired

DIGITAL NAVIGATION

[Ordering Tree](#) [nLight Platform](#) [Photometrics](#) [Performance Data](#)

FEATURES & SPECIFICATIONS

INTENDED USE — The CPX Series LED is an extension of the Lithonia CPX platform and has a back-lit panel that features an external driver. This cost-effective, reliable flat panel is visually comfortable and can be recessed mounted. Suitable for many applications such as schools, offices, retail, convenience stores, hospitals, healthcare facilities and other commercial spaces. Certain airborne contaminants can diminish the integrity of acrylic. [Click here for Acrylic Environmental Compatibility table for suitable uses.](#) **U.S. Patent No. 10,681,784.**

This product is designed for application in Iso5-9 cleanrooms, ensuring that it does not introduce any contaminants into the environment. Additionally, it effectively seals the room from the plenum, thereby preventing any airflow between the two areas.

CONSTRUCTION — A metal frame with satin white lens provides excellent shielding and uniform luminance. With the IP65 option, the full gasketing encloses the fixture and is positioned between the bottom acrylic or polycarbonate lens and the T-grid, creating a barrier to prevent water from seeping into the fixture. CPX's low-profile design provides increased installation flexibility especially in restricted plenum spaces.

ELECTRICAL — Direct-lit Panel with Long-Life LEDs, coupled with a high-efficiency driver, provide superior illumination for extended service life. Greater than 70% LED lumen maintenance at 60,000 hours (L80>60,000). 0-10V dimming driver and contains non-isolated dimming leads.

Integrated Sensor (nLight® Wired Networking) — This sensor is nLight-enabled, meaning it has the ability to communicate over an nLight network. When wired, using CAT-5 cabling, with other nLight-enabled sensors, power packs, or WallPods, an nLight control zone is created. Once linked to a Gateway, directly or via a Bridge, the zone becomes capable of remote status monitoring and control via SensorView software.

Integrated Smart Sensor (nLight Air Wireless Platform) — The RES7 sensor is nLight AIR enabled, meaning it has the ability to communicate over the wireless nLight control platform. It is available with an automatic dimming photocell, and either a digital PIR or a microphonics (PDT) dual technology occupancy sensor. It pairs to other luminaires and wall switches through our mobile app, CLAIRITY+, which allows for simple sensor adjustment.

LISTINGS — CSA certified to meet US and Canadian standards. Meets IP65 Rating from the room side only. Wet location listed. IP5X Rated. Some versions are IP65 rated, see Diffuser options section for details. DesignLights Consortium® (DLC) qualified product. Not all versions of this product may be DLC qualified. Please check the DLC Qualified Products List at www.designlights.org/QPL to confirm which versions are qualified. IC rated. IK10 Rated with Polycarbonate lens. Tested in accordance with ISO 14644-14; suitable for ISO Class 5 -9 positive and negative pressure clean rooms. Rated for NSF/ANSI Standard 2 Light Fixture for Splash Zone and Non-Food Zone.

GOVERNMENT PROCUREMENT — BAA – Product with the BAA option qualifies as a domestic end product under the Buy American Act as implemented in the FAR and DFARS. Product with the BAA option also qualifies as manufactured in the United States under DOT Buy America regulations.

BABA – Build America Buy America: Product with the BAA option also qualifies as produced in the United States under the definitions of the Build America, Buy America Act.

Please refer to www.acuitybrands.com/buy-american for additional information.

WARRANTY — 5-year limited warranty. This is the only warranty provided and no other statements in this specification sheet create any warranty of any kind. All other express and implied warranties are disclaimed. Complete warranty terms located at: www.acuitybrands.com/support/warranty/terms-and-conditions

Note: Actual performance may differ as a result of end-user environment and application. All values are design or typical values, measured under laboratory conditions at 25 °C. Specifications subject to change without notice.

Catalog Number
Notes
Type

CPX LED PANEL

Fully Switchable Configurable

1' x 4', 2' x 2' and 2' x 4'



† Tested in accordance with ISO 14644-1; suitable in ISO Class 5-9 positive and negative pressure clean rooms.

Embed nLight controls today. Prepare for tomorrow.

Now	Tomorrow
User-friendly install	Scalability
Enhanced energy savings	Space configuration
Code compliance	Future-ready

A+ Capable Luminaire

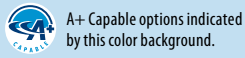
This item is an A+ capable luminaire, which has been designed and tested to provide consistent color appearance and out-of-the-box control compatibility with simple commissioning.

- All configurations of this luminaire meet the Acuity Brands' specification for chromatic consistency
- This luminaire is part of an A+ Certified solution for nLight® control networks when ordered with drivers marked by a shaded background*
- This luminaire is part of an A+ Certified solution for nLight control networks, providing advanced control functionality at the luminaire level, when selection includes driver and control options marked by a shaded background*

To learn more about A+, visit www.acuitybrands.com/aplus.

*See ordering tree for details

Configurable CPX Switchable LED Flat Panel



ORDERING INFORMATION

Example: CPX 2X2 ALO7 80CRI SWW7 SWL MVOLT NLTAIR2 APIR

Series	Fixture Dimension	Lumen Output	CRI	Color Temperature	Diffuser	Voltage
CPX LED Panel	1X4 1' X 4'	AL07 Switchable Lumens - 2500LM, 3200LM, and 4000LM	80CRI 80 CRI	SWW7 Switchable white, 35K/ 40K/50K	SWL Satin White	MVOLT 120-277V
	2X2 2' X 2'	AL07 Switchable Lumens - 2500LM, 3200LM, and 4000LM			A12 Prismatic A12 Pattern	120 120V
	2X4 2' X 4'	AL08 Switchable lumens – 4000LM, 5000LM, and 6000LM			ASWM Acrylic Satin White Lens, Matte, IP Rated ‡	277 277V
					PCSWM Polycarbonate Satin White Lens, Matte, IP Rated ‡	347 347 ‡
					A12M Acrylic Lens, 12 Pattern, Matte, IP Rated ‡	
					PC12M Polycarbonate Lens, 12 Pattern, Matte, IP Rated ‡	

Emergency Option	Control Input	Sensor	IP Rating ‡	Options
(blank) No Emergency Option	(blank) No controls		(blank)	GLR Fast-blowing fuse ‡
E10W Emergency battery pack, 10W Linear Constant Power, Certified in CA Title 20 MAEDBS, CA Title 20 MAEDBS, User selectable Self-Diagnostic, AC Activate with Integral Test Switch (LINK)	SSE Sensor Switch Embedded	APIR Occ sensing with passive infrared - on/off functionality and auto dimming photocell	IP65 IP65 Rated ‡	GMF Slow-blowing fuse ‡
E10WRSTAR Emergency battery pack, Enabled with STAR ‡	NLIGHT nLight enabled	APDT Occ sensor dual tech (passive infrared & microphonics) and auto dimming photocell		PWS1836 6' pre-wire, 3/8" diameter, 18 gauge, 1 circuit ‡
E7W Emergency Battery Pack, 7W, CA Title 20 Noncompliant	NLIGHTER nLight enabled, for use with generator supply EM power	(blank) No sensor, Control Input function only		PWS1846 6' pre-wire, 3/8" diameter, 18 gauge, 2 circuit ‡
GTD Generator Transfer Device ‡	NLIGHTLM nLight enabled with lumen management	PIR Occ sensing with passive infrared - on/off functionality		PWS1856LV 6' pre-wire, 3/8" diameter, 18 gauge, 1 circuit w/ low voltage ‡
	NLIGHTERM nLight enabled with lumen management, for use with generator supply EM power	PDT Occ sensor dual tech (passive infrared & microphonics)		PWS1846 PWSLV Two cables: one 6' pre-wire, 3/8" diameter, 18 gauge, 2 circuits; one 6' pre-wire, 3/8" diameter, 18 gauge ‡
	NLTAIR2 nLight AIR Generation 2 (wireless) enabled ‡	APIR Occ sensing with passive infrared - on/off functionality and auto dimming photocell		DWAM Anti-Microbial paint
	NLTAIREM2 nLight AIR Generation 2 (wireless) enabled and UL924 Emergency Operation, via power interrupt detection ‡	APDT Occ sensor dual tech (passive infrared & microphonics) and auto dimming photocell		NPLT Narrow Pallet
		APIREM Occ sensing with passive infrared - on/off functionality and auto dimming photocell and UL924 Emergency operation, via power interrupt detection		BAA Buy America(n) Act Compliant
		APDTEM Occ sensing dual tech- (passive infrared & microphonics) and auto dimming photocell and UL924 Emergency operation, via power interrupt detection		

NOTE: ‡ indicates option chosen has ordering restriction or note. Please reference restrictions/notes chart on next page. Restriction notes are ordered in the sequence they appear in the ordering tree.

OPTION VALUE RESTRICTIONS/ NOTES

‡ Option Value Ordering Notes/ Restrictions	
Option value	Restriction
Diffuser	ASWM, PCSWM, A12M and PC12M only available when an IP rating is selected.
347	347 not available with E10W, E7W, GTD, GLR or GMF.
E10WRSTAR	Not compatible with 347V.
GTD	Not available with 347 or in 1X4 size.
GLR, GMF	Must specify voltage, only available with 120 or 277.
IP Rating	Not available with any sensor option.
IP65	Not available with BAA.
NLTAIR2	See UL924 Sequence of Operation Chart on Page 4. Can be used as a normal power sensing device for nLight AIR devices and luminaires with EM emergency options.
NLTAIREM2	See UL924 Sequence of Operation Chart on Page 4. Leave Sensor option section blank, not available with APIR, APDT, APIREM, or APDTEM.
PWS1836	E10W, E7W, or GTD..
PWS1846	Only available with E10W or E7W.
PWS1856LV	Not available with E10W, E7W or Controls.
PWS1846 PWSLV	Not available with Controls.



Configurable CPX Switchable

ACCESSORIES

Accessories: Order as separate catalog number.	
ILBLP CP10 HE SD A	IOTA 10 Watt Constant Power, High Efficiency LED Emergency Driver for CA Title 20 ‡
ELA PSDMT	Remote mount tray for ILBLP battery.
DGA14	Drywall grid adapter for 1x4 recessed fixture. ²
DGA22	Drywall grid adapter for 2x2 recessed fixture. ²
DGA24	Drywall grid adapter for 2x4 recessed fixture. ²
1X4SMKSH	Multi-Use Surface Mount Kit 1x4, Shallow Depth ²
2X2SMKSH	Multi-Use Surface Mount Kit 2x2, Shallow Depth ²
2X4SMKSH	Multi-Use Surface Mount Kit 2x4, Shallow Depth ²
1X4SMKSH PAF	Multi-Use Surface Mount Kit 1X4 Post-Paint ²
2X2SMKSH PAF	Multi-Use Surface Mount Kit 2X2 Post-Paint ²
2X4SMKSH PAF	Multi-Use Surface Mount Kit 2X4 Post-Paint ²
PAC 2DNF 36	Panel Air Craft Kit, 2 cables with Y splitter, No Power Feed, 36 inches. Recommended for 2X2 or 1X4 Panel Fixture. ²
PAC 2DF 36	Panel Air Craft Kit, 2 cables with Y splitter, with Power Feed, 36 inches. Recommended for 2X2 or 1X4 Panel Fixture. ²
PAC 4DNF 36	Panel Air Craft Kit, 4 cables, No Power Feed, 36 inches. Recommended for 2X4 or 2X2 or 1X4 Panel Fixtures. ²
PAC 4DF 36	Panel Air Craft Kit, 4 cables, with Power Feed, 36 inches. Recommended for 2X4 or 2X2 or 1X4 Panel Fixtures. ^{1,2}
PAC 2DNF 72	Panel Air Craft Kit, 2 cables with Y splitter, No Power Feed 72 inches. Recommended for 2X2 or 1X4 Panel Fixture. ²
PAC 2DF 72	Panel Air Craft Kit, 2 cables with Y splitter, with Power Feed, 72 inches. Recommended for 2X2 or 1X4 Panel Fixture. ^{1,2}
PAC 4DNF 72	Panel Air Craft Kit, 4 cables, No Power Feed, 72 inches. Recommended for 2X4 or 2X2 or 1X4 Panel Fixtures. ²
PAC 4DF 72	Panel Air Craft Kit, 4 cables, with Power Feed, 72 inches. Recommended for 2X4 or 2X2 or 1X4 Panel Fixtures. ^{1,2}
RK8BDP 2P U	Disconnect Plug (BDP), 2 Pole, Package of 1
RK8BDP 3P U	Disconnect Plug (BDP), 3 Pole, Package of 1
RK8BDP 2P J10	Disconnect Plug (BDP), 2 Pole, Package of 10
RK8BDP 2P J40	Disconnect Plug (BDP), 2 Pole, Package of 40

Emergency Battery Delivered Lumens
Use the formula below to determine the delivered lumens in emergency mode
Delivered Lumens = 1.25 x P x LPW
P = Output power of emergency driver (10W for PS1055)
LPW = Lumen per watt rating of the luminaire.

Notes

1. For MVOLT only, not available with 347V.
2. Not available with IP65 option.

UL924 Sequence of Operation
The below information applies to all nLight AIR devices with an EM option.
<ul style="list-style-type: none"> EM devices will remain at their high-end trim and ignore wireless lighting control commands, unless a normal-power-sensed (NPS) broadcast is received at least every 8 seconds. Using the CLAIRITY+ mobile app, EM devices must be associated with a group that includes a normal power sensing device to receive NPS broadcasts. Only non-emergency rPP20, rLSXR, rSBOR, rSDGR, and nLight AIR luminaires with version 3.4 or later firmware can provide normal power sensing for EM devices. See specification sheets for control devices and luminaires for more information on options that support normal power sensing.

Emergency Battery Pack Options - Field Installable

Battery Model Number	Wattage	Runtime (Minutes)	Lumen Output* @ 120 Lumens/Watt	Other
ILB CP07 2H A	7W	120	840	Storm Shelter/ 2-hour Runtime
ILB CP10 A	10W	90	1200	
ILBLP CP10 HE SD A	10W	90	1200	Title 20, Self Diagnostic
ILBLP CP15 HE SD A	15W	90	1800	Title 20, Self Diagnostic
ILB CP20 HE A	20W	90	2400	Title 20
ILB CP20 HE SD A	20W	90	2400	Title 20, Self Diagnostic
ILB CP10 HE AELR A	10W	90	1200	Title 20; Enabled with Self Testing, Automated Reporting (STAR)

All the above are UL Listed products that are certified for field install external/remote to the fixture.

*Minimum delivered lumen output to assist in product selection for increased fixture mounting height.

The CP10 delivered emergency illumination outperforms legacy 1400 lumen fluorescent emergency ballast.

Please contact us at techsupport@iotaengineering.com for any Emergency Battery related questions.

Enabled with STAR

Emergency Lighting with Self-Testing Automated Reporting (STAR), enables self-testing and automated reporting to aid in life safety code compliance. Build your solution and choose your preferred deployment from Mobile STAR, where test data is logged in each individual unit and broadcast to the **CLAIRity™+** app, or Connected STAR, where test data is logged in the STAR Gateway by IOTA® and emailed directly. **Leave the ladders, disruptions and written records behind with emergency lighting solutions with STAR!**

Life Safety Code NFPA 101 testing and reporting requirements for emergency lighting include:



Testing for 30 seconds every 30 days



Testing for 90 minutes once a year



Record keeping and to report to the authority having local jurisdiction

MOBILE STAR

For small scale applications

CONNECTED STAR

For large scale applications

SWITCHABLE PERFORMANCE DATA FOR SWL LENS

Size (ft)	Nomenclature	Lumen Package	CCT	Lumen	Wattage	Efficacy
1X4	CPX 1X4 AL07 80CRI SWW7 SWL	Low Lumen	3500K	2393	19.0	125.9
			4000K	2450	18.4	132.8
			5000K	2446	19.1	127.7
		Med Lumen	3500K	3226	24.8	129.9
			4000K	3348	24.1	139.0
			5000K	3290	23.1	142.1
		High Lumen	3500K	4093	31.5	130.1
			4000K	4265	30.2	141.0
			5000K	4156	32.5	127.8
2X2	CPX 2X2 AL07 80CRI SWW7 SWL	Low Lumen	3500K	2587	20.5	126.2
			4000K	2664	19.3	137.8
			5000K	2609	20.1	129.6
		Med Lumen	3500K	3432	27.7	124.1
			4000K	3587	26.0	138.1
			5000K	3486	26.9	129.5
		High Lumen	3500K	4322	34.9	123.7
			4000K	4557	32.8	139.1
			5000K	4382	34.0	128.8
2X4	CPX 2X4 AL08 80CRI SWW7 SWL	Low Lumen	3500K	3539	25.9	136.9
			4000K	3672	24.9	147.2
			5000K	3629	25.9	140.3
		Med Lumen	3500K	4754	35.9	132.3
			4000K	4982	34.4	144.9
			5000K	4890	34.5	141.8
		High Lumen	3500K	6032	47.9	126.1
			4000K	6383	45.2	141.3
			5000K	6217	47.9	129.7

SWITCHABLE PERFORMANCE DATA FOR A12 LENS

Size (ft)	Nomenclature	Lumen Package	CCT	Lumen	Wattage	Efficacy
1X4	CPX 1X4 AL07 80CRI SWW7 A12	Low Lumen	3500K	2309	19.0	121.5
			4000K	2364	18.4	128.2
			5000K	2360	19.1	123.3
		Med Lumen	3500K	3113	24.8	125.3
			4000K	3231	24.1	134.1
			5000K	3175	23.1	137.2
		High Lumen	3500K	3950	31.5	125.6
			4000K	4116	30.2	136.1
			5000K	4011	32.5	123.3
2X2	CPX 2X2 AL07 80CRI SWW7 A12	Low Lumen	3500K	2489	20.5	121.5
			4000K	2563	19.3	132.6
			5000K	2510	20.1	124.7
		Med Lumen	3500K	3302	27.7	119.4
			4000K	3451	26.0	132.9
			5000K	3354	26.9	124.6
		High Lumen	3500K	4158	34.9	119.0
			4000K	4385	32.8	133.9
			5000K	4217	34.0	123.9
2X4	CPX 2X4 AL07 80CRI SWW7 A12	Low Lumen	3500K	3424	25.9	132.4
			4000K	3552	24.9	142.4
			5000K	3511	25.9	135.8
		Med Lumen	3500K	4599	35.9	128.0
			4000K	4819	34.4	140.2
			5000K	4731	34.5	137.1
		High Lumen	3500K	5835	47.9	121.9
			4000K	6175	45.2	136.7
			5000K	6014	47.9	125.5

Optical Performance

UGR Values of CPX 1x4 @ 80CRI (70% 50% 20% reflectance using a 4H x 8H room size)							
	CCT	A12			SWL		
		LUMEN	Crosswise	Endwise	LUMEN	Crosswise	Endwise
Low Lumen	3500K	2303	17.9	18	2393	20.2	20
	4000K	2358	18	18	2451	20.3	20
	5000K	2354	18	18	2446	20.3	20
Med Lumen	3500K	3105	18.9	19	3227	21.3	21
	4000K	3223	19.1	19.1	3349	21.4	21.1
	5000K	3167	19	19.1	3291	21.3	21.1
High Lumen	3500K	3940	19.8	19.8	4094	22.1	21.8
	4000K	4105	19.9	20	4266	22.2	22
	5000K	4000	19.8	19.9	4158	22.1	21.9

UGR Values of CPX 2x2 @ 80CRI (70% 50% 20% reflectance using a 4H x 8H room size)							
	CCT	A12			SWL		
		LUMEN	Crosswise	Endwise	LUMEN	Crosswise	Endwise
Low Lumen	3500K	2490	17.9	18.2	2588	20.3	20.1
	4000K	2564	18	18.3	2664	20.4	20.2
	5000K	2511	17.9	18.2	2609	20.4	20.1
Med Lumen	3500K	3303	18.9	19.2	3433	21.3	21.1
	4000K	3452	19	19.3	3587	21.5	21.2
	5000K	3356	18.9	19.2	3487	21.4	21.1
High Lumen	3500K	4160	19.7	20	4323	22.1	21.9
	4000K	4387	19.9	20.2	4559	22.3	22.1
	5000K	4219	19.7	20	4384	22.2	21.9

UGR Values of CPX 2x4 @ 80CRI (70% 50% 20% reflectance using a 4H x 8H room size)							
	CCT	A12			SWL		
		LUMEN	Crosswise	Endwise	LUMEN	Crosswise	Endwise
Low Lumen	3500K	3425	16.4	16.7	3540	18.8	18.7
	4000K	3553	16.6	16.8	3672	18.9	18.8
	5000K	3512	16.5	16.8	3630	18.9	18.8
Med Lumen	3500K	4601	17.4	17.7	4755	19.8	19.7
	4000K	4821	17.6	17.9	4983	20	19.9
	5000K	4732	17.5	17.8	4891	19.9	19.8
High Lumen	3500K	5837	18.3	18.5	6033	20.6	20.5
	4000K	6177	18.5	18.7	6384	20.8	20.7
	5000K	6017	18.4	18.7	6219	20.8	20.6

Lumen Maintenance

Reported Lumen Maintenance	Forecasted Lumen Maintenance
L90 @ 37k Hrs / L80 @ >60k Hrs / L70 @ > 60k Hrs	L90 @ 37k Hrs / L80 @ 76k Hrs / L70 @ 120k Hrs

*Note - Reported LM based on IES standard 6X test period for LM-80 report. Forecasted LM based on TM-21 report extrapolation past 6X LM-80 testing.

CPX compatible with Sensor Switch™ [WSX-D](#) and [SPOD](#) wall switches.



WSX-D



SPOD

PHOTOMETRICS

See www.lithonia.com for photometry reports.

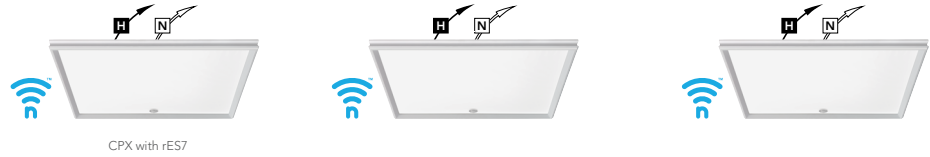
Intelligent Luminaire Technology Guide

Choose nomenclature from these columns

Control/ Sensor Configurations	Control Input	Sensor	Sensor	Notes	Previous Nomenclature
		SSE	+ APIR	= MSD 7 ADCX	Individual fixture control only. PIR integral occupancy sensor with automatic dimming control photocell.
	SSE	+ APDT	= MSD PDT 7 ADCX	Individual fixture control only. PDT integral occupancy sensor with automatic dimming control photocell.	MSDPDT7ADCX
	NLIGHT	+ (blank)	= nIO EZ PH	nLight enabled only. No onboard sensor.	NLIGHT
	NLIGHT	+ PIR	= nIO EZ PH + nES 7	nLight enabled with PIR integral occupancy sensor.	NLIGHT NES7
	NLIGHT	+ PDT	= nIO EZ PH + nES PDT 7	nLight enabled with dual technology occupancy control sensor.	NLIGHT NESPDT7
	NLIGHT	+ APIR	= nIO EZ PH + nES 7 ADCX	nLight enabled with PIR integral occupancy sensor with automatic dimming photocell.	NLIGHT NES7ADCX
	NLIGHT	+ APDT	= nIO EZ PH + nES PDT 7 ADCX	nLight enabled with dual technology occupancy controls sensor with automatic dimming photocell.	NLIGHT NESPDT7ADCX
	NLIGHTER	+ (blank)	= nIO EZ PH ER	Emergency nLight enabled only. No onboard sensor.	NLIGHT EMG
	NLIGHTER	+ PIR	= nIO EZ PH ER + nES 7	Emergency nLight enabled with PIR integral occupancy sensor.	NLIGHT EMG NESPD7
	NLIGHTER	+ PDT	= nIO EZ PH ER + nES PDT 7	Emergency nLight enabled with dual technology occupancy control sensor.	NLIGHT EMG NES7ADC
	NLIGHTER	+ APIR	= nIO EZ PH ER + nES 7 ADCX	Emergency nLight enabled with PIR integral occupancy sensor with automatic dimming photocell.	NLIGHT EMG NES7ADCX
	NLIGHTER	+ APDT	= nIO EZ PH ER + nES PDT 7 ADCX	Emergency nLight enabled with dual technology occupancy controls sensor with automatic dimming photocell.	NLIGHT EMG NESPDT7ADCX
	NLIGHTLM	+ (blank)	= nIO EZ PH N80	nLight enabled only with 80% constant lumen management. No onboard sensor.	NLIGHT CL80
	NLIGHTLM	+ PIR	= nIO EZ PH N80 + nES 7	nLight enabled with 80% constant lumen management with PIR integral occupancy sensor.	NLIGHT CL80 NES7
	NLIGHTLM	+ PDT	= nIO EZ PH N80 + nES PDT 7	nLight enabled with 80% constant lumen management with dual technology occupancy control sensor.	NLIGHT CL80 NESPDT7
	NLIGHTLM	+ APIR	= nIO EZ PH N80 + nES 7 ADCX	nLight enabled with 80% constant lumen management with PIR integral occupancy sensor with automatic dimming photocell.	NLIGHT CL80 NES7ADCX
	NLIGHTLM	+ APDT	= nIO EZ PH N80 + nES PDT 7 ADCX	nLight enabled with 80% constant lumen management with dual technology occupancy controls sensor with automatic dimming photocell.	NLIGHT CL80 NESPDT7ADCX
	NLIGHTLMER	+ (blank)	= nIO EZ PH ER N80	Emergency nLight enabled only with 80% constant lumen management. No onboard sensor.	NLIGHT EMG CL80
	NLIGHTLMER	+ PIR	= nIO EZ PH ER N80 + nES 7	Emergency nLight enabled with 80% constant lumen management with PIR integral occupancy sensor.	NLIGHT EMG CL80 NES7
	NLIGHTLMER	+ PDT	= nIO EZ PH ER N80 + nES PDT 7	Emergency nLight enabled with 80% constant lumen management with dual technology occupancy control sensor.	NLIGHT EMG CL80 NESPDT7
	NLIGHTLMER	+ APIR	= nIO EZ PH ER N80 + nES 7 ADCX	Emergency nLight enabled with 80% constant lumen management with PIR integral occupancy sensor with automatic dimming photocell.	NLIGHT EMG CL80 NES7ADCX
	NLIGHTLMER	+ APDT	= nIO EZ PH ER N80 + nES PDT 7 ADCX	Emergency nLight enabled with 80% constant lumen management with dual technology occupancy controls sensor with automatic dimming photocell.	NLIGHT EMG CL80 NESPDT7ADCX
	NLTAIR2	+ (blank)	= RIO ZTS EXTDB ACWH 180D NENC1 G2	nLight AIR Generation 2 enabled.	NLTAIR2 RIO
	NLTAIREM2	+ (blank)	= RIO ZT EM EXTDB ACWH 180D NENC1 G2	nLight AIR Generation 2 enabled.	NLTAIR2 RIOEM
	NLTAIR2	+ APIR	= RES7 ZTS 90D G2	nLight AIR Generation 2 enabled.	NLTAIR2 RES7
	NLTAIR2	+ APDT	= RES7 PDT ZTS 90D G2	nLight AIR Generation 2 enabled.	NLTAIR2 RES7PDT
	NLTAIR2	+ APIREM	= RES7 ZT EM 90D G2	nLight AIR Generation 2 enabled.	NLTAIR2 RES7EM
	NLTAIR2	+ APDTEM	= RES7 PDT ZT EM 90D G2	nLight AIR Generation 2 enabled.	NLTAIR2 RES7PDTEM

nLight Platform

nLight AIR Wireless



Simple as 1,2,3

1. Install the nLight® AIR fixtures with embedded smart sensor
2. Install the wireless battery-powered wall switch
3. With the CLAIRITY+ Pro app, pair the fixtures with the wall switch and if desired, customize the sensor settings for the desired outcome



nLight Wired Networking



Simple as 1,2,3

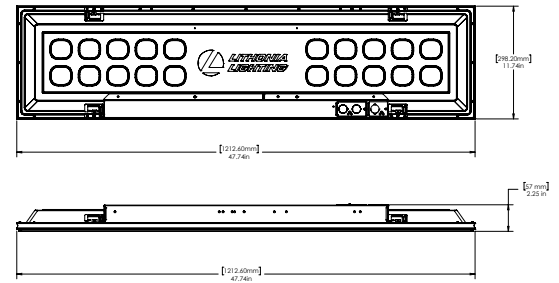
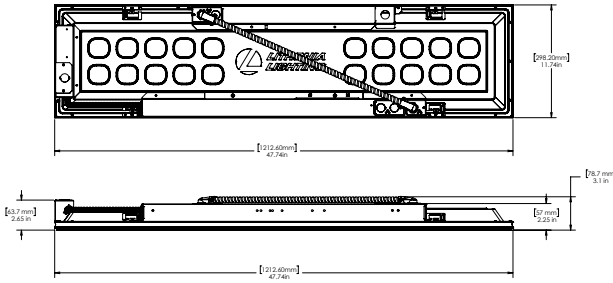
1. Install the nLight® Wired fixtures with embedded control
2. Install the nLight Wired wall switch
3. Connect the fixtures using standard CAT5e cables and the devices will automatically discover each other and work (plug and play)



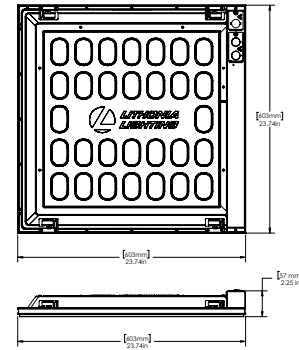
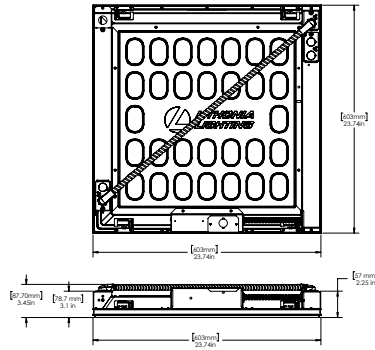
nLight embedded fixtures offer:	Customers get:
Manual Dimming	Convenience and visual comfort for occupants
Motion Sensing and/or Daylight Harvesting	Energy savings and code compliance
Fixture or Group Level Control	Ability to configure lighting to the space requirements
Flexibility	Ease of fixture moves, adds and changes
Wireless Wall Switch (nLight AIR Only)	Ease and flexibility of placement
Astronomical and Time of Day Scheduling	Energy savings and building security
Scalable Solution	nLight controls to grow with your business
Future-Ready	nLight platform to set foundation for future upgrades and capabilities

DIMENSIONS

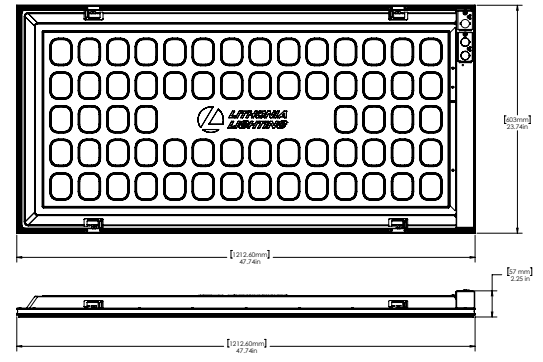
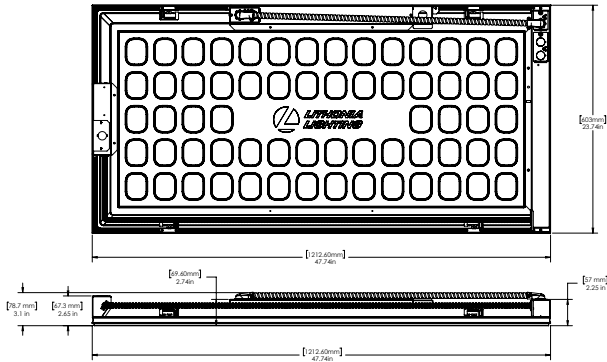
Length: 47.8" 121.4cm
 Width: 11.8" 30.0cm
 Depth: 2.3" 5.7cm
 Weight:
 Unit: 9.25 lbs
 Unit Carton: 10.25 lbs



Length: 23.8" 60.5cm
 Width: 23.8" 60.5cm
 Depth: 1.7" 4.3cm
 Weight:
 Unit: 9.45lbs
 Unit Carton: 10.45lbs



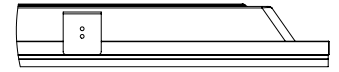
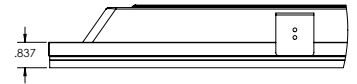
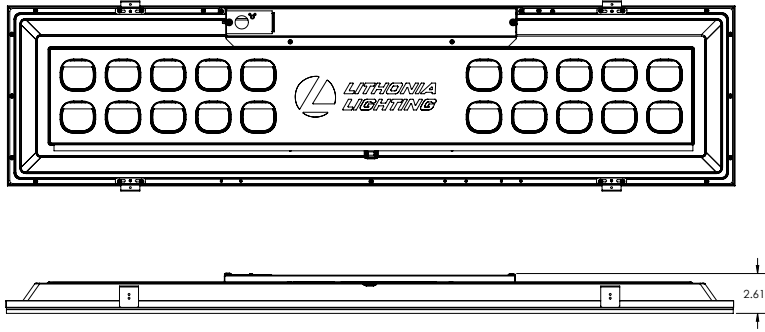
Length: 47.8 (121.4cm)
 Width: 23.8" 60.5cm
 Depth: 2.3" 5.7cm
 Weight:
 Unit: 17.25 lbs
 Unit Carton: 19.25 lbs



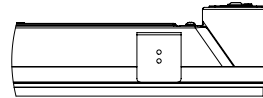
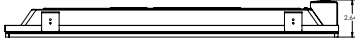
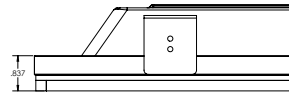
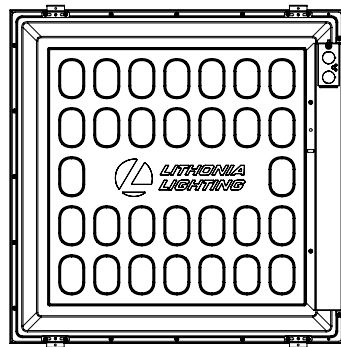
All dimensions are the same except the height with the STAR configuration. Includes conduit
 1X4- 3.21"-depth
 2X2- 3.24"-depth
 2X4-3.25"-depth

DIMENSIONS with IP65

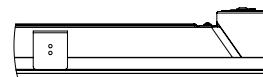
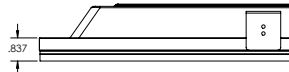
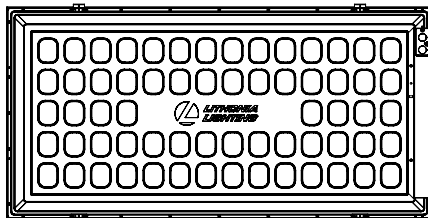
Length: 47.8" 121.4cm
 Width: 11.8" 30.0cm
 Depth: 2.6" 6.7cm
 Weight:
 Unit: 9.25 lbs
 Unit Carton: 10.25 lbs



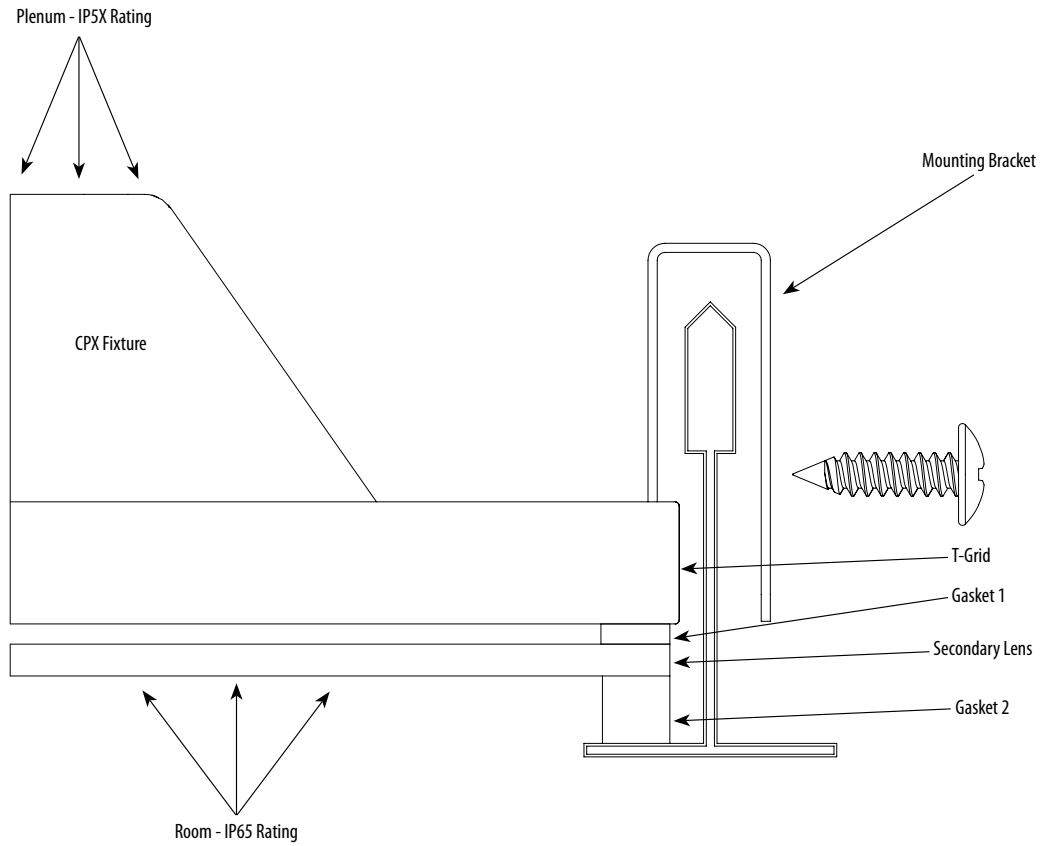
Length: 23.8" 60.5cm
 Width: 23.8" 60.5cm
 Depth: 2.6" 6.7cm
 Weight:
 Unit: 9.45 lbs
 Unit Carton: 10.45 lbs



Length: 47.8" (121.4cm)
 Width: 23.8" 60.5cm
 Depth: 2.6" 6.7cm
 Weight:
 Unit: 17.25 lbs
 Unit Carton: 19.25 lbs



IP RATED FIXTURE CROSS SECTION



Screws must be applied during installation in order to be IP65 rated on room side.

